

CHARLTON & JENRICK I1250E DEEP

Chimenea eléctrica Charlton & Jenrick i1250E Deep con llamas personalizables, control inteligente y diseño moderno. Ideal para dar calidez y estilo a su hogar.



[Ver más información online](#)

COMPLETE

Charlton & Jenrick

ELECTRIC COLLECTION

CHARLTON & JENRICK
SINCE 1986



INTRODUCING

THE COMPLETE ELECTRIC COLLECTION

FROM CHARLTON & JENRICK

The greatest love begins with a little spark.

IGNITE THE FIRE WITHIN...

Modern electric fires are the pinnacle of design and the first choice for the discerning consumer who wants looks, ease of use and the latest in technology.

BUY WITH CONFIDENCE

Charlton & Jenrick have been manufacturing and supplying into the Fireplace independent retail market for over 35 years. You are safe in the knowledge that all our products are UKCA and CE approved, meet all current EcoDesign regulations and are at the forefront of innovation. Being both ISO9001 and ISO14001 compliant, you can rest assured that quality products and environmental impact are top of our agenda when creating these stunning fires.

DEDICATED RETAILER NETWORK

Our expertise is in the innovation, design and manufacture of high tech, high quality beautiful flame products. To ensure you get the best in customer service we work with dedicated local independent retailers that can offer you advice, home visits and support in your local area. You should only find Charlton & Jenrick products available through local independent retailers, which can be found on our website:

charltonandjenrick.co.uk/products/store-locator

We do not sell to national/international retailers and those that sell nationwide via telephone or internet sales. We do this because we truly believe you need to view our products and speak to an experienced retailer who sells our products daily and can help with any advice,

surveying your site and any after sales service required. To this end it is a condition of our terms & conditions we have with our dedicated retailers that they themselves look after any technical issues that arise in the first instance because they are in the best place to offer quick local support to a product they fully understand and to you their customer.

This is also a reason why we would strongly advise against you buying any fireplace product (either ours or any other brand) from a distant seller who is not available for local survey, installation and trouble shooting should any issues arise.

FIVE YEAR PRODUCT WARRANTY

Our large format electric fires i.e. the iRange Deep, iRange Slimline and Luminosa fires come with a two-year parts and labour warranty, with the option of extending the parts warranty for a further three years if you fill in your warranty registration online within 1 month of purchasing your product. In all cases regarding warranty please refer in the first instance to the retailer where you bought the fire, this is where your contract lies and in the majority of cases they will be able to get you sorted before passing over to us if they cannot. The Opulus 16" also has the same five year warranty.

Our 16" & 22" electric fires come with a 12 month return to base warranty. That means in the unlikely event of an issue if you speak with your retailer, they will arrange to take away your fire and replace it for you.



Scan the QR Code
to go to our website
store-locator



CONTENTS

iRange SLIMLINE ELECTRIC FIRES

i560e Slimline	6
i790e Slimline	8
i920e Slimline	10
i1100e Slimline	12
i1500e Slimline	14
i2000e Slimline	16

iRange DEEP ELECTRIC FIRES

i750e Deep	20
i1000e Deep	22
i1250e Deep	24
i1500e Deep	26
i1800e Deep	28
i2200e Deep	30

REAL FLAME™ TECHNOLOGY ELECTRIC FIRES

Luminosa 62	34
Luminosa 150	36
Opulus 16"	38

ECOFLAME™ ELECTRIC FIRES

3D Ecoflame 16"	42
4D Ecoflame 16"	44
4D Ecoflame 22"	46

ECOFLAME™ ELECTRIC STOVES

3D Ecoflame Electric Stoves	48
-----------------------------	----

MOOD LIGHTING 50

SMART APP COMPATIBILITY 51

INSTALLATION IDEAS 52

TV SIZE GUIDE 53

DIMENSIONS AND SPECIFICATIONS

iRange Slimline	54
iRange Deep	56
Real Flame™ Technology	58
Ecoflame™	60
Fascia Options	62

COMPANY CERTIFICATIONS 63

ABOUT CHARLTON & JENRICK 64

KEY FEATURES*



LIVEFLAME

Realistic flame effect, with a relaxing flame effect.



AMBIENT LIGHT BED

Choose between a range of options or the automatic setting which cycles through the whole range.



MOOD LIGHTING

Optional LED lighting strips can be installed in the fireplace and furniture surround - up to 4m for iRange.



THERMOCONTROL REMOTE

Easily control all the features of the fire and view the room temperature too.



TAILORED FUEL BED

You have the choice of ice crystals or a range of hand painted ceramic logs to finish off your fire.



ECO DESIGN COMPLIANT

All our electric fires are compliant with the EcoDesign 2022 standard.



APP CONTROL

The C&JSmartFire App gives you full control of your fire from your mobile device.



ACTIVE GLOWING EMBER FUEL BED

Gives you multiple colour and brightness options, for your perfect effect.



REAL FLAME TECHNOLOGY

Our latest electric flame technology with our sharpest flame effect to date.

iRange Slimline Range



LIVEFLAME OPTIONS

A beautiful fire with flame effects to match your mood.

Relax with the mood enhancing ultra realistic flame effect with three colour options warm amber, bright white and a stunning combination of both colours for the iRange Slimline range. Each available in five mood settings. The mood settings offer five differing levels of brightness and size of flames.



AMBIENT LIGHT FUEL BED

A palette of nine glorious colours.

As well as choosing mood matching colours for your fire's natural flame effect, you can set the colour of the ultra-realistic fuel bed too. Choose from a glowing, natural amber or take your pick from any one of eight other shades to match your mood - all easily set using your remote control. You can even set the colours to gradually transition from one shade to another, cycling through the whole palette to create an ever-changing display.



MOOD LIGHTING (OPTIONAL)

Create the right mood in your room by lighting the area surrounding your fire.

Optional lengths of LED lighting strips are available that plug into your fire and you can run in your fireplace or build into the wall. The lights are controlled from the fire's handset and offer you a palette of thirteen glorious colours that can be set separately to the flame and fuel bed effects (they can also be set to the same colours).



TAILORED FUEL BED OPTIONS

Different looks from a choice of fuel beds.

Which look will you choose today? Traditional log fire? Ultra cool ice and crystal? The choice is yours. You can even create your own bespoke look by removing the glass front to create a mix of different fuel bed materials to your own design.



ECODESIGN COMPLIANT

Love your fire, love the energy you save.

Energy-saving is second nature for our fires. As well as setting thermostatic controls, you can set your fire to turn itself on and off at any time you choose and all our electric fires are built to EU and UK standards, making them Ecodesign compliant. The fire has a seven day timer setting, thermostat control and open window detection.



THERMOCONTROL REMOTE

Simple controls from a single handset.

Choose the lighting. Choose the flame effect. Choose to turn on the heat or simply enjoy the display. The full range of features on your fire can be controlled remotely from our slim and elegant handset.

- Remote power on and off
- See time, day and battery power
- Set timer, temperature and heating period
- View actual room temperature
- Scroll through flame and light options
- Adjust flame effect
- Change lighting levels
- Advance heating
- Two optional crackle sound effects



FORJAS

For more information call **01952 200444**

www.forjas-salvauor.com



FORJAS

For more information call **01952 200444**

www.forjas-salvauor.com

KEY FEATURES

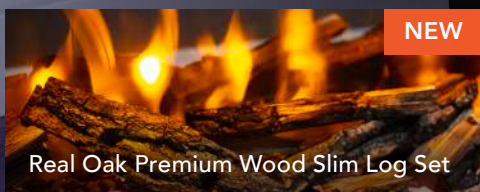
- **Tailor your fuel bed** with either our woodland log set with logs of different colours and sizes, or large crystals are also included in the box, allowing you to choose the look and feel you want.
- **Exciting realistic LiveFlame effect** with three colour options each available in five mood settings. The mood settings allow for five differing levels of brightness and size of flames.
- **Realistic Ambient Light flickering fuel bed** with nine colour options and four mood settings. Choose from a glowing, natural amber or take your pick from any one of eight other shades to match your mood - all easily set using your remote control. You can even set the colours to gradually shift from one shade to another, cycling through the whole palette to create an everchanging display.
- **Mood Setting (Optional)** - Create the right mood in your room by lighting the area surrounding your fire, optional lengths of LED lighting strips are available that plug into your fire and you can run in your fireplace or build into the wall. The lights are controlled from the fire's handset and offer you a palette of thirteen glorious colours that can be set separately to the flame and fuel bed effects (they can also be set to the same colours).
- **Highly efficient heat control** via a 7 day programmable timer and an electric thermostat all incorporated into the stylish remote-control handset.
- **EcoDesign compliant** built to EU and UK standards that allows you to control your fire and also includes open window detection.
- **Two generous heat settings** which are chosen automatically by the temperature chosen on the remote to meet and maintain your chosen room temperature.
- **1.5kW max heat output** (100% efficient at point of use).
- **Optional wall brackets** to be able to hang the fire on the wall and build a fascia or enclosure around it.
- **All fires come with a 5 year extended parts warranty** (first 2 years parts & labour).
- **Smart App compatibility**, for full control of your fire from mobile devices.

LOG SET OPTIONS

Choose the log set that best suits your interior and tastes.



Woodland Log Set



NEW

Real Oak Premium Wood Slim Log Set

MAXIMUM NUMBER OF VIEWING ASPECTS

MODEL	SIDES
iRange i560e Slimline	1
iRange i790e Slimline	1
iRange i920e Slimline	3
iRange i1100e Slimline	3
iRange i1500e Slimline	3
iRange i2000e Slimline	3

iRange i560e Slimline

A square fire that is perfect for inset and fireplace installations.

The most compact fire in the iRange Slimline range, the i560e offers a stunning and stylish focal point whilst utilising space efficiently.

This fire has been specifically designed with one sided installation in mind, making this fire perfect for all limestone and hole-in-the-wall installations.

There is an assortment of three flame colours to choose from, with nine other combined flame and fuel bed colour settings to choose from using the MyFlame setting.

KEY FEATURES



For specifications refer to the technical datasheet



i560e Slimline shown as a one-sided installation in Nickel/Black Prestige Trim



FORJAS

SALVADOR

For more information call **01952 200444**

www.forjas-salvador.com



FOR

SA

www.forjas

i560e Slimline shown as a one-sided installation
in Beckford Limestone Surround



Scan the QR Code
to see the i560e
Slimline Fire on
YouTube now

iRange i790e Slimline

A versatile design that will enhance any interior.

The perfect size for fireplace installations, the iRange i790e Slimline excels as the perfect choice for contemporary or traditional projects.

When the most important factor is personalisation, the i790e shines. With nine different fuel bed colours, three different flame colours, and thirteen different LED colours, there are hundreds of different colour variations.

KEY FEATURES



For specifications refer to the technical datasheet



i790e Slimline shown as a one-sided installation in Limestone Slips



FORJAS

SALVADOR

For more information call **01952 200444**

www.forjas-salvador.com



FORJAS

SALVADOR

www.forjas-salvador.com

i790e Slimline shown as a one-sided installation
in Coalport Micro Marble Surround



Scan the QR Code
to see the i790e
Slimline Fire on
YouTube now



iRange i920e Slimline

A combination of simplicity and modern elegance.

At almost one metre, the iRange i920e Slimline strikes the ideal balance between providing a wide flame picture, and suiting all room types and sizes.

Our realistic woodland logs add to the cosy real fire ambience, featuring logs of different colours and sizes.

Installation is possible with three sides of glass, allowing you to find the perfect fit to create a statement centrepiece in your home.

KEY FEATURES



For specifications refer to the technical datasheet



i920e Slimline shown as a two-sided installation
in a media wall with the optional LED lighting



Scan the QR Code
to see the i920e
Slimline Fire on
YouTube now

i1100e Slimline shown as a three-sided installation
in a media wall with the optional LED lighting



Scan the QR Code
to see the i1100e
Slimline Fire on
YouTube now

iRange i1100e Slimline

Create a focal point and sense of occasion for any setting.

Perfect for media walls, feature walls, and dividing walls alike, the only limit with the iRange i1100e Slimline is your imagination.

Designed to make a statement with our ultra-realistic log set drawing you in, adding character to your home.

There are thirteen colours to choose from with the optional LED lighting allowing you to tailor your fireplace to your mood and environment.

KEY FEATURES



For specifications refer to the technical datasheet



iRange i1500e Slimline

A panoramic fire with unlimited installation possibilities.

This slim fire allows for less intrusive installations, allowing it to be installed in a wider variety of homes and settings.

At 1.5 metres long, the i1500e has been designed for larger rooms or open plan areas, transforming the interior of your home.

Optional LED lighting creates an engaging and customisable feature, with thirteen different colours.

KEY FEATURES



For specifications refer to the technical datasheet



i1500e Slimline shown as a three-sided installation
in a media wall with the optional LED lighting



Scan the QR Code
to see the i1500e
Slimline Fire on
YouTube now

iRange SLIMLINE ELECTRIC FIRES



iRange i2000e Slimline

A luxurious addition to any room.

The biggest in the iRange Slimline range, the iRange i2000e Slimline measures in at a substantial two metres long. This extra-wide flame picture will enhance even the biggest of rooms, with our ultra-realistic woodland logs inside.

The i2000e will add an air of sophistication to your home, whether you install it as a media wall, feature wall, or dividing wall.

KEY FEATURES



For specifications refer to the technical datasheet



i2000e Slimline shown as a three-sided installation
in a media wall with the optional LED lighting



Scan the QR Code
to see the i2000e
Slimline Fire on
YouTube now

iRange Deep Range



LIVEFLAME OPTIONS

A beautiful fire with flame effects to match your mood.

Relax with the mood enhancing ultra realistic flame effect with three colour options; orange, white and a combination of both. Each available in five mood settings. The mood settings offer five differing levels of brightness and size of flames.



AMBIENT LIGHT FUEL BED

A palette of nine glorious colours.

As well as choosing mood matching colours for your fire's natural flame effect, you can set the colour of the ultra-realistic fuel bed too. Choose from a glowing, natural amber or take your pick from any one of eight other shades to match your mood - all easily set using your remote control. You can even set the colours to gradually shift from one shade to another, cycling through the whole palette to create an ever-changing display.



MOOD LIGHTING (OPTIONAL)

Create the right mood in your room by lighting the area surrounding your fire.

Optional lengths of LED lighting strips are available that plug into your fire and you can run in your fireplace or build into the wall. The lights are controlled from the fire's handset and offer you a palette of thirteen glorious colours that can be set separately to the flame and fuel bed effects (they can also be set to the same colours).



TAILORED FUEL BED OPTIONS

Different looks from a choice of fuel beds.

Along with the standard woodland log set, you can choose between the optional driftwood log set or quartered split log set.



ECODESIGN COMPLIANT

Love your fire, love the energy you save.

Energy-saving is second nature for our fires. As well as setting thermostatic controls, you can set your fire to turn itself on and off at any time you choose and all our electric fires are built to EU and UK standards, making them Ecodesign compliant. The fire has a seven day timer setting, thermostat control and open window detection.



THERMOCONTROL REMOTE

Simple controls from a single handset.

Choose the lighting. Choose the flame effect. Choose to turn on the heat or simply enjoy the display. The full range of features on your fire can be controlled remotely from our slim and elegant handset.

- Remote power on and off
- See time, day and battery power
- Set timer, temperature and heating period
- View actual room temperature
- Scroll through flame and light options
- Adjust flame effect
- Change lighting levels
- Advance heating
- Two optional crackle sound effects



FORJAS

18 For more information call 01952 200444

www.forjas-salvador.com



FORJAS

SALVADOR

www.forjas-salvador.com

KEY FEATURES

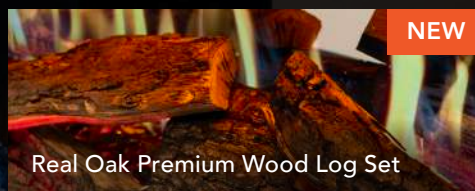
- **Tailored fuel bed options.** Along with the standard woodland log set, you can choose between the optional driftwood log set or quartered split log set. These optional log sets will allow you to change the look and feel of your fire.
- **Exciting realistic LiveFlame effect** with three colour options each available in five mood settings. The mood settings allow for five differing levels of brightness and size of flames.
- **Realistic Ambient Light flickering fuel bed** with nine colour options and four mood settings. Choose from a glowing, natural amber or take your pick from any one of eight other shades to match your mood - all easily set using your remote control. You can even set the colours to gradually transition from one shade to another, cycling through the whole palette to create an everchanging display.
- **Mood Setting (Optional)** - Create the right mood in your room by lighting the area surrounding your fire, optional lengths of LED lighting strips are available that plug into your fire and you can run in your fireplace or build into the wall. The lights are controlled from the fires handset and offer you a palette of thirteen glorious colours that can be set separately to the flame and fuel bed effects (they can also be set to the same colours).
- **Highly efficient heat control** via a 7 day programmable timer and an electric thermostat all incorporated into the stylish remote-control handset.
- **EcoDesign** compliant built to EU and UK standards that allows you to control your fire and also includes open window detection.
- **Two generous heat settings** which are chosen automatically by the temperature chosen on the remote to meet and maintain your chosen room temperature.
- **2kW max heat output** (100% efficient at point of use).
- **Optional wall brackets** to be able to hang the fire on the wall and build a fascia or enclosure around it.
- **All fires come with a 5 year extended parts warranty** (first 2 years parts & labour).
- **Smart App compatibility**, for full control of your fire from mobile devices.

LOG SET OPTIONS

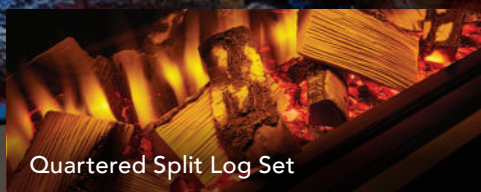
Choose the log set that best suits your interior and tastes.



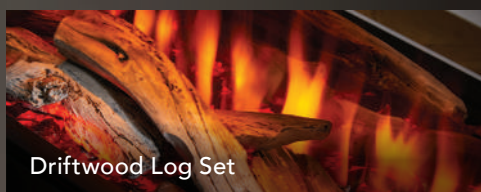
Woodland Log Set



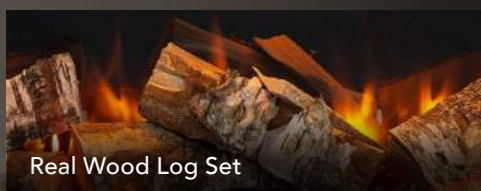
Real Oak Premium Wood Log Set



Quartered Split Log Set



Driftwood Log Set



Real Wood Log Set

Experience true indulgence by adding our real oak premium wood log set to your electric fire.

Using real wood enhances the connection to your fire, enabling you to bring nature into your home.

Each log is hand selected, creating the ultimate in bespoke fuel beds. The logs are lightly scorched to create a luxurious effect.

iRange i750e Deep

A different take on the iRange Deep, perfect for limestone installations.

The extra tall firebox of the i750e Deep adds considerable presence, allowing for taller flames than the rest of the range.

As well as the standard woodland logs, there are also optional quartered split, driftwood logs and real wood logs to allow you to personalise your fire.

When installed in limestone fireplaces, the i750e Deep achieves the perfect balance of modern and traditional design.

KEY FEATURES



For specifications refer to the technical datasheet



i750e Deep shown as a one-sided installation in Pudsey Marble Sapphire Surround

i1750e Deep shown as a one-sided installation
in Stapleton Limestone Surround

iRange DEEP ELECTRIC FIRES



Scan the QR Code
to see the i750e
Deep Fire on
YouTube now

i1000e Deep shown as a three-sided installation in a dividing wall with the optional driftwood log set



Scan the QR Code
to see the i1000e
Deep Fire on
YouTube now

iRange i1000e Deep

A more compact addition to our iRange Deep lineup, perfect for smaller rooms and more traditional interiors.

Incorporating all of the features of our more expansive iRange models in a smaller form factor makes this perfect for smaller rooms.

The C&J Smart App enables you to control all aspects of the fire from your mobile device, including the two optional crackle sound effects.

KEY FEATURES



For specifications refer to the technical datasheet



i1000e Deep shown as a two-sided installation in a media wall with the optional LED lighting

iRange i1250e Deep

A deeper addition to the iRange to give you more fuel bed and illumination.

The i1250e is a mid range electric fire that is ideal for feature walls and room dividers.

The extra depth has allowed for a chunkier log set and increased illumination of the fuel bed thanks to a unique glowing front log feature.

This fire also features the striking bright white flame setting.

KEY FEATURES



For specifications refer to the technical datasheet



i1250e Deep as a three-sided installation in a media wall with the optional LED lighting

i1250e Deep shown as a three-sided installation in a media wall with the optional LED lighting and real wood log set



Scan the QR Code to see the i1250e Deep Fire on YouTube now

iRange DEEP ELECTRIC FIRES



iRange i1500e Deep

Elegant simplicity blended with substantial presence.

This 1.5-metre-wide electric fire is designed to create maximum visual impact in your home. The clean, graceful lines of the i1500e Deep make this modern design look attractive even when it is not alight.

Four metres of optional LED mood lighting allows for multiple lighting effects to be created.

KEY FEATURES



For specifications refer to the technical datasheet



i1500e Deep shown as a two-sided installation in a media wall with the optional LED lighting and quartered split log set

i1500e Deep shown as a three-sided installation in a media wall with the optional LED lighting



Scan the QR Code to see the i1500e Deep Fire on YouTube now



iRange i1800e Deep

At 1.8 metres in length, this is the perfect centrepiece for a modern home.

With a vast expanse of glass, the i1800e Deep is perfectly suited to creating a modern media wall centrepiece for your home.

This fire is compatible with one, two, or three-sided installations, meaning the only limit is your imagination.

The extra-wide flame picture will enhance even the biggest of rooms.

KEY FEATURES



For specifications refer to the technical datasheet



i1800e Deep shown as a three-sided installation
in a media wall with the optional LED lighting



Scan the QR Code
to see the i1800e
Deep Fire on
YouTube now



i2200e Deep shown as a three-sided installation
in a feature wall with the optional LED lighting



Scan the QR Code
to see the i2200e
Deep Fire on
YouTube now



iRange i2200e Deep

At 2.2 metres in length, this is the largest version of our iRange Deep electric fires.

The i2200e Deep combines style, efficiency and customisability to provide the ultimate solution for modern interior designs. Being the biggest in the range means this is the perfect choice for the discerning customer, looking for the ultimate in luxury electric fires.

This fire is compatible with one, two, or three-sided installations, meaning the only limit is your imagination.

The extra-wide flame picture will enhance even the biggest of rooms.

KEY FEATURES



For specifications refer to the technical datasheet



i2200e Deep shown as a three-sided installation in a media wall with the optional LED lighting

Real Flame Technology™ Range

Our most advanced electric flame technology yet. Some of the stand out features are:

- Embers and sparks enhancing the flame effect.
- Added perception of depth in comparison to traditional flame technologies.
- Our sharpest, brightest flames yet for a compelling viewing experience.
- A choice of 16 different flame options of varying sizes and colours.
- Compatibility with our MyFlame app as standard, with 6 default settings and three customisable settings.



Flame Options

Large Flames with Smoke and Embers



Natural Flames with Smoke and Embers



Deep Red Flames



Celebration Flame with Smoke and Embers



FEATURES ON

Luminosa 150

Luminosa 62

Opulus 16"



Luminosa 62

A new approach to the Luminosa range, the Luminosa 62 is perfect for fireplace installations.

Whether it is installed hole in the wall or in a fireplace, the glowing logs on the Luminosa 62 creates a relaxing focal point.

The optional real wood logs create a more natural look, complementing traditionally styled or contemporary interiors alike.

KEY FEATURES



For specifications refer to the technical datasheet



Luminosa 62 shown as a one-sided installation in Pudsey Marble Sapphire Surround

Luminosa 62 shown as a one-sided installation
in Pudsey Marble Sapphire Surround



Scan the QR
Code to see the
Luminosa 62 Fire
on YouTube now

REAL FLAME™ ELECTRIC FIRES



Luminosa 150

Next generation electric technology for the ultimate in luxury electric fires.

This panoramic, 1.5 metre wide electric fire takes full advantage of our new Real Flame Technology™.

Bringing the sharpest and most realistic flames ever seen in our electric range in a size that is perfect for all rooms.

Installation is possible into three sides of glass enabling suite, media wall, and hole in the wall installations.

KEY FEATURES



For specifications refer to the technical datasheet



Luminosa 150 shown as a three-sided installation in a suite



Scan the QR Code to see the Luminosa 150 Fire on YouTube now

REAL FLAME™ ELECTRIC FIRES



Opulus 16" Inset

Bringing the compact electric fire into the 21st century.

A revolutionary take on a classic fire, the Opulus 16" brings the ultra-sharp, realistic flames from our Real Flame Technology™ to a 16" fire.

This technology adds extra visual depth to the fuel bed creating an immersive effect completing the premium impression.

KEY FEATURES



For specifications refer to the technical datasheet



Opulus 16" shown with Gun Metal Square Cast Fascia in Beckford Limestone Surround

Opulus 16" shown with Nickel/Chrome Prestige
Fascia in Beckford Limestone Surround



Scan the QR
Code to see the
Opulus 16" Fire
on YouTube now

REAL FLAME™ ELECTRIC FIRES



Ecoflame™ Range

CONTEMPORARY OR TRADITIONAL?

Suitable for any room, whether traditional or contemporary, incorporating realistic flame effects from 3D Ecoflame™ and 4D Ecoflame™ technology which brings a comforting warmth to any home.

A popular choice for people who prefer electric to gas - their versatility and low watt usage allows them to be fitted anywhere there is an electric supply, making them viable for use in apartments, flats, remote locations, houses without chimneys/flues and where there are no options to use gas.

- Mix and match frets and trims to suit your room
- Suitable for use where gas isn't an option
- Realistic flame effects give your room a warm welcoming feel
- Various fuel bed options available

4D ECOFLAME™ FASCIA LED LIGHTING

Thirteen colour options, colour morphing and four mood settings.

All Charlton & Jenrick Elite Fascias now come with the option of patented LED trim lights that are controlled by the fire's remote control.

There is an optional 1 metre length of LED lighting strip that is available and can be fitted into a fireplace or surround and controlled by the fire. There are thirteen colour options and a colour morphing setting, each available in four mood settings.

Please note that this optional strip can not be used if the LED lights are being used on the Fascia. It is a choice of either fascia lights or 1 metre length. Remote control handset designs vary according to fire model.



Intelligently designed electric fires with versatility in mind

KEY FEATURES

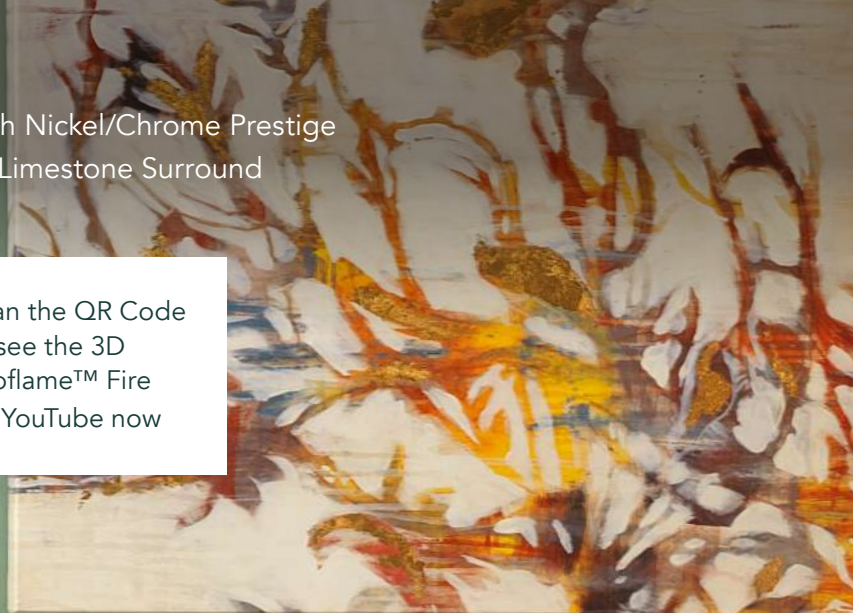
- Included in the box are loose **realistic log, glass beads and coal fuel bed** - use all three together if you wish!
 - **Exciting realistic flame effect** with 4 mood settings with choice of warm dark orange flame or orange and blue flame.
 - **Remote control** with timer and thermostat built in.
 - **Realistic active flame** images appear from the middle of the fuel bed created by Charlton & Jenrick's superb 3D reflection technology.
 - **High-level side buttons** for easy access.
 - **Two generous heat settings** - Low 0.75kW and High 1.5kW.
 - **1.5kW max heat output** (100% efficient at point of use).
 - Fits most Charlton & Jenrick frets and fascias.
 - Fully EU Ecodesign compliant and UKCA approved.
-
- **Exciting ultra-realistic flame effect** with three colour options each available in four mood settings. The mood setting offers four differing levels of brightness and flame size.
 - **Realistic flickering fuel bed** with thirteen colour options and a colour morphing setting, each available in four mood settings.
 - **Multiple fuel bed options** including realistic log, coal, ice crystals small and large and glowing embers. All are included with the fire for the user to decide.
 - **Highly efficient heat control** via a 7-day programmable timer and an electric thermostat all incorporated into the stylish remote-control.
 - **High-level side buttons** for easy access and alternative control of flame effect and the fuel bed.
 - **Two generous heat settings** which are chosen automatically by the temperature chosen on the remote to meet and maintain your chosen room temperature.
 - **Realistic active flame** images appear from the middle of the fuel bed created by C&J's superb 4D reflection technology.
 - **1.5kW max heat output** (100% efficient at point of use).
 - Fits most Charlton & Jenrick Frets and Fascias with many fire and fascia packages available.
 - Fits most 16" fireplace openings.
 - Fully EU Ecodesign compliant and UKCA approved.



3D Ecoflame™ with Nickel/Chrome Prestige
Fascia in Beckford Limestone Surround



Scan the QR Code
to see the 3D
Ecoflame™ Fire
on YouTube now



3D Ecoflame™

An extensive choice of fascias and trims.

Introducing a range of inset 16" electric fires with ultra-realistic flame effect thanks to the 3D Ecoflame™ technology from Charlton & Jenrick designed to give the look and feel of a real fire, complementing any living area, but for customers that prefer electric.

See page 62 for the full range of fascia options.

KEY FEATURES



For specifications refer to the technical datasheet



3D Ecoflame™ with Pewter Square Cast Fascia
in Balmoral Limestone Surround

4D Ecoflame™

Inset 16" electric fires with 4D Ecoflame™ technology.

Building on the overwhelming success of the 3D Ecoflame™ electric fire, the 4D Ecoflame™ adds more features for an even more luxurious experience. All models benefit from the ultra-realistic deep reflective fuel and flame effect that has set new standards across the industry. The range also boasts flickering ember effect fuel bed, 7-day timer, optional trim and fireplace mood lights to name but just a few superb innovations.

See page 62 for the full range of fascia options.

KEY FEATURES



For specifications refer to the technical datasheet



4D Ecoflame™ with Nickel/Black Prestige
Fascia in Aylesbury Limestone Surround



Scan the QR Code
to see the 4D
Ecoflame™ Fire
on YouTube now



Small spacers allow the fascia to stand off the back panel/wall to allow for the optional LED trim lights to be fitted



4D Ecoflame22"

Our wide 22" electric fire that fits into a standard 16" opening.

Exciting ultra-realistic flame effect with three colour options each available in four mood settings. The mood settings offer four differing levels of brightness and size of flames. The realistic active flame images appear from the middle of the fuel bed created by Charlton & Jenrick's superb 4D reflection technology.

By removing the spacer attached, the fire will fit flush into a wider 22" opening. There are also optional small spacers in with the fire that allow it to stand off the back panel/wall to allow for the optional LED trim lights to be fitted.

The optional LED fascia lights also offer the same thirteen colour and four mood options as the fuel bed but can be chosen interdependently to either the same or different settings.

Multiple fuel bed options including realistic log, coal, ice crystals and small, large and glowing embers all come as standard - so you are free to choose or change as you desire.

KEY FEATURES



For specifications refer to the technical datasheet



4D Ecoflame22" with Satin/Black Elite Fascia and LED lighting under header in Beckford Limestone Surround



4D Ecoflame22" with Chrome/Chrome Elite Fascia and LED trim lights in Beckford Limestone Surround

3D Ecoflame Electric Stoves

With today's highly efficient homes it is not always necessary to have a gas or wood burning stove in your room or fitting such an appliance may just not be possible. If however you want the warmth from the look and feel of a stove in your home but without the need for such high heat outputs then an electric stove is the ideal choice.

The C&J electric stoves come with a choice of doors; curved, square or Alcaston which features a tracery door. The doors are all cast iron and fit on the strong steel body of the stove which are built from a 5mm thick laser profiled steel plate.

The stoves have an ultra-realistic flame effect thanks to the 3D Ecoflame™ technology from Charlton & Jenrick Ltd.

PRODUCT HIGHLIGHTS

- Loose realistic log fuel bed
- Exciting realistic flame effect with four mood settings
- Remote control with timer and thermostat built into the fire
- Two generous heat settings - Low 1kW and High 2kW
- Heavy duty steel construction
- Quality solid cast iron door
- Three door options- tracery, curved, and square
- Optional log store and flue pipe accessories.



Square Door Electric Stove on Log Store



Curved Door Electric Stove in Beckford Limestone with All Limestone Liners



FORJAS SALVADOR
For more information call **01952 200444**

www.forjas-salvador.com



FORJAS SALVADOR

www.forjas-salvador.com

Alcaston Electric Stove shown in Inglenook



Scan the QR Code to see the Alcaston Electric Stove on YouTube now

ECOFIAME™ ELECTRIC STOVES



KEY FEATURES



For specifications refer to the technical datasheet

The perfect way to enhance your electric fireplace or media wall



For more inspiration, view our LED Lighting Guide

MOOD LIGHTING

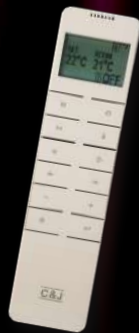
Our LED Lighting is compatible with all of our Luminosa, Opulus, iRange, and 4D Ecoflame models.

Maximum Length of LED connectivity for all the ranges;

- Luminosa 6m
- iRange 4m
- 4D Ecoflame 1m*

(*or trim with lights fitted)

LED lighting control is built into all remotes as standard.



GET INSPIRED WITH LED LIGHTING



LED COLOUR OPTIONS

Thirteen different colour options, and a fourteenth option that cycles through all the colours.

White	
Red	
Amber	
Light Green	
Green	
Emerald	
Aqua Blue	
Light Blue	
Blue	
Dark Blue	
Lilac	
Purple	
Mauve	

C&JSMARTFIRE APP CONTROL

The C&JSMARTFIRE APP allows you to control the latest electric models from the comfort of your chair.

CONVENIENT CONTROL

Easily turn your fire on and off and control basic heating controls with a few clicks of a button.

FULL CONTROL OF THE FLAMES

Choose between six pre-set colours and three MY FLAME settings for custom colours as well as the option to control the brightness of the flames.

SCHEDULING FIRE CONTROLS

Schedule flame and heating settings with up to four time periods a day and three different weekly schedule patterns available.

FUEL BEDS

Choose between seven pre-set colours and two custom colour settings as well as the option to control the brightness of the fuel bed.

OPTIONAL MOOD LIGHTING

Choose between thirteen different colour options, and a fourteenth option that cycles through all the colours as well as the option to control the brightness of the led lighting.

OPTIONAL CRACKLE SOUND EFFECTS

Choose between the optional relaxing fire crackling sound effects and control their volume, or run the fire without any sound effects.

SYNCHRONISE VISUALS

Synchronise the flames, fuel bed, and mood lighting to create one cohesive visual effect.



C&JSMARTFIRE APP

THERMOSTATIC TEMPERATURE CONTROL

A thermostat shows the current room temperature on the app, and you can set a desired temperature for a specified amount of time using the timer function.

WORK ACROSS DEVICES

Available on android and iOS allowing for operation from all your devices.

FIRE COMPATIBILITY

Compatible with the iRange Slimline, iRange Deep, Luminosa and Opulus ranges.



Download the C&JSmartFire App from the Google Play and Apple App Store

INSTALLATION IDEAS

INSTALLATION IDEAS

MEDIA WALL



Combine your fire and TV to create a stylish, elegant centrepiece.

FEATURE WALL



Let the fire speak for itself, creating a standout feature that is sure to impress.

FIREPLACE



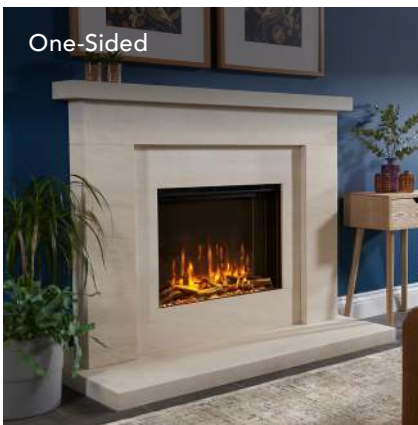
Combining modern technology with traditional aesthetics for more conventional homes.

ELECTRIC SUITE



The all-in-one solution for easy fitting, and modern looks.

INSTALLATION ASPECTS



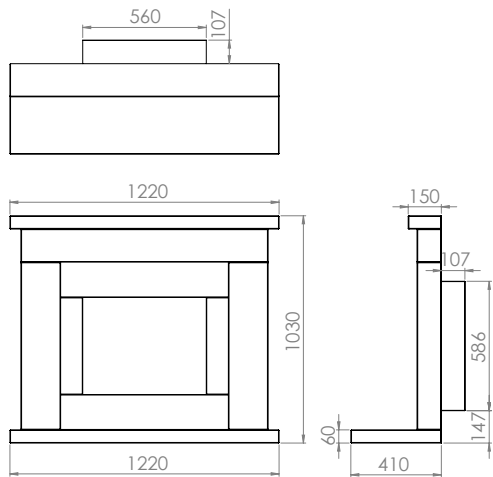
TV Size Guide

PRODUCTS	PRODUCT WIDTH	TV SIZE
iRange i920e Slimline	0.92 metres	43"
iRange i1000e	1 metre	43"
iRange i1100e Slimline	1.1 metres	43"
iRange i1250e Deep	1.25 metres	50"
iRange i1500e Deep	1.5 metres	60"
iRange i1500e Slimline	1.5 metres	60"
Luminosa 150	1.5 metres	60"
iRange i1800e Deep	1.8 metres	75"
iRange i2000e Slimline	2 metres	80"
iRange i2200e Deep	2.2 metres	85"

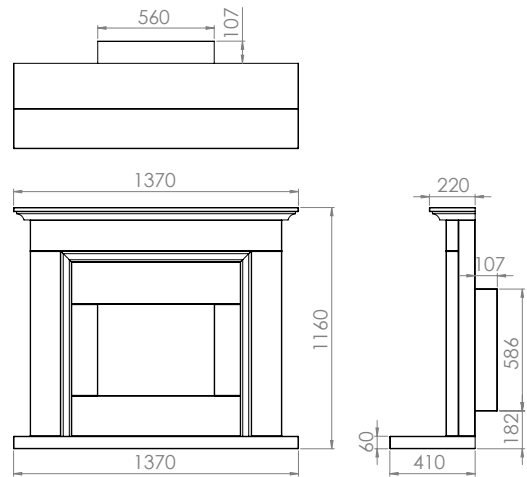
*Guides for fires installed hole in the wall, installations into limestone may suit larger TV's.

Dimensions & Specifications

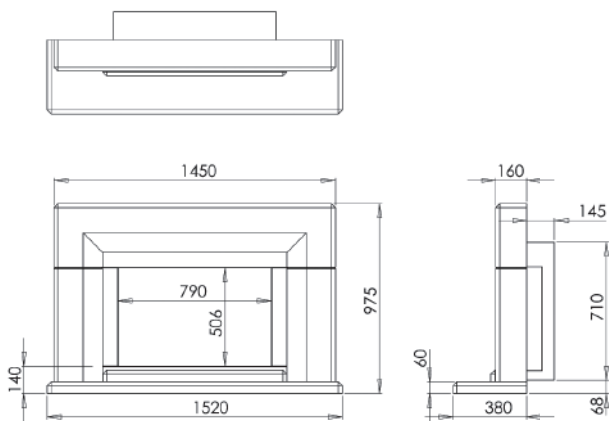
i560e Slimline in Beckford Suite



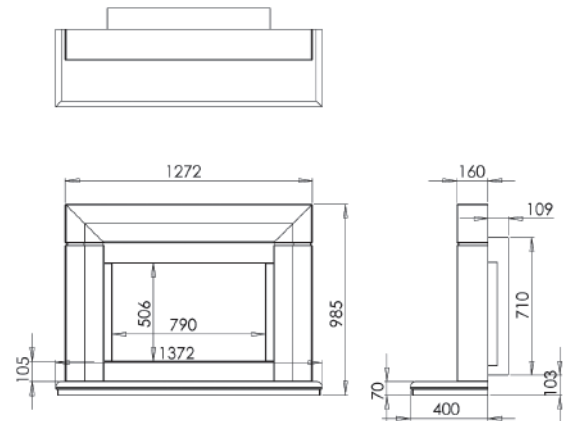
i560e Slimline in Aylesbury Suite



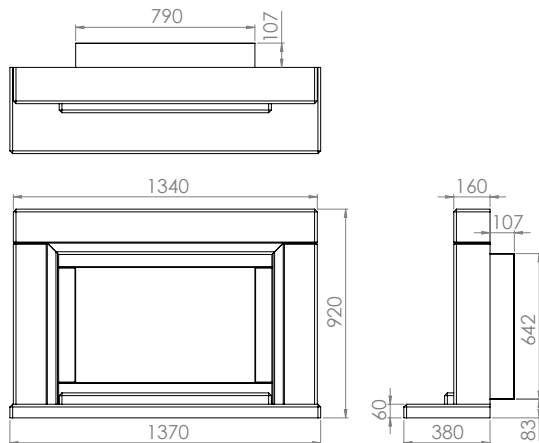
i790e Slimline in Edgmond Suite



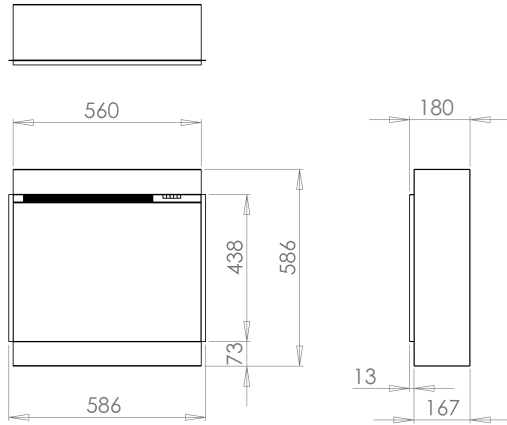
i790e Slimline in Wave Suite



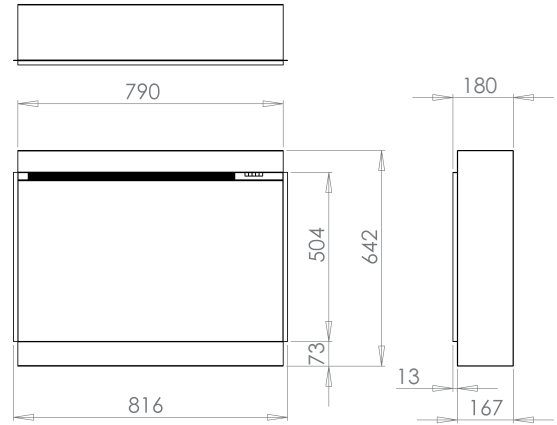
i790e Slimline in Coalport Micro Marble Suite



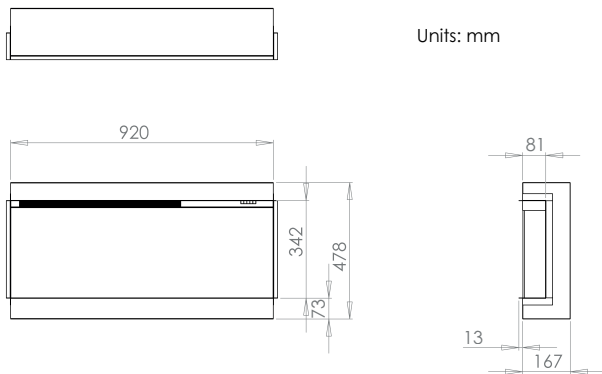
i560e Slimline



i790e Slimline

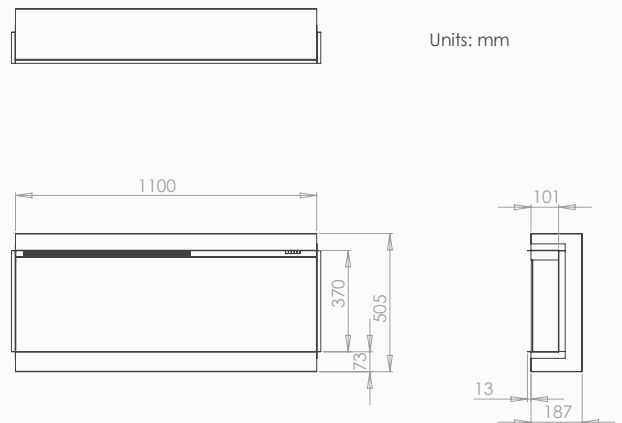


i920e Slimline



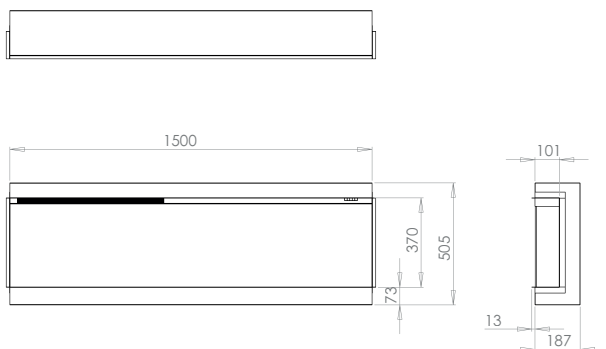
Units: mm

i1100e Slimline

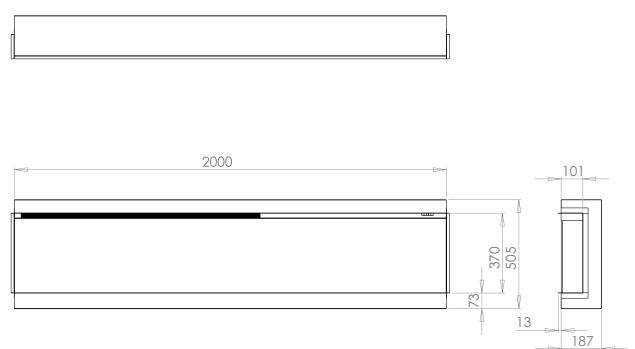


Units: mm

i1500e Slimline



i2000e Slimline



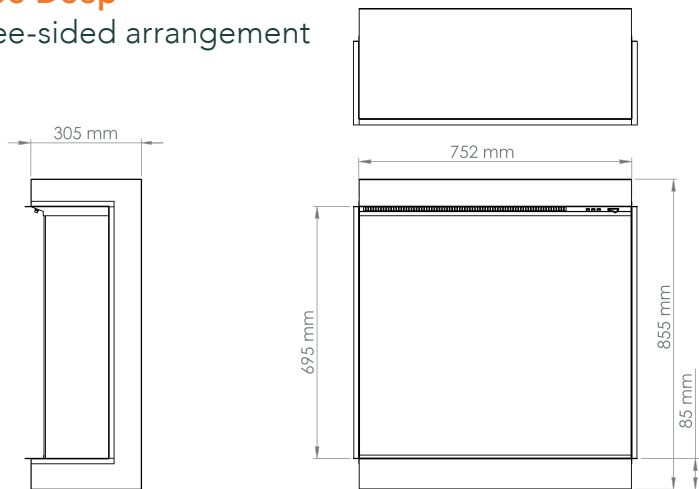
Dimensions & Specifications



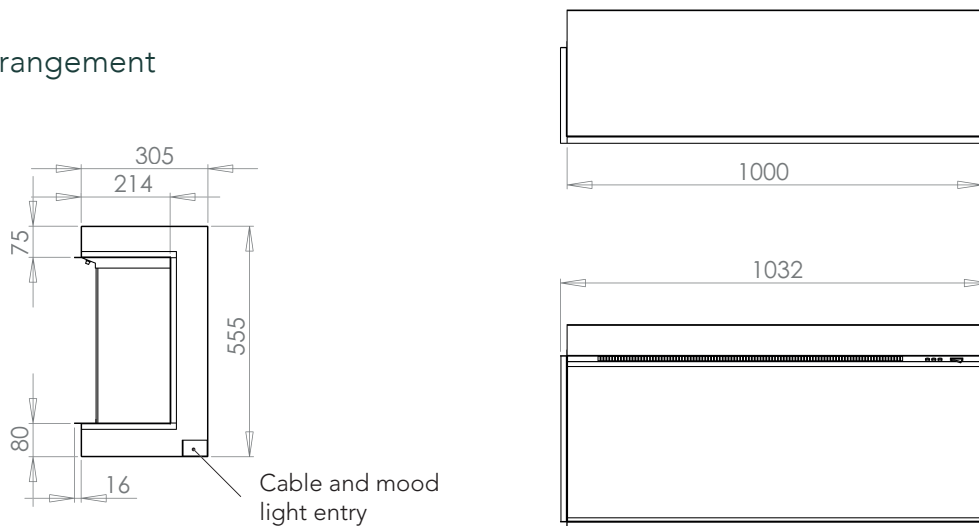
Scan the QR Code to see instruction videos on YouTube now



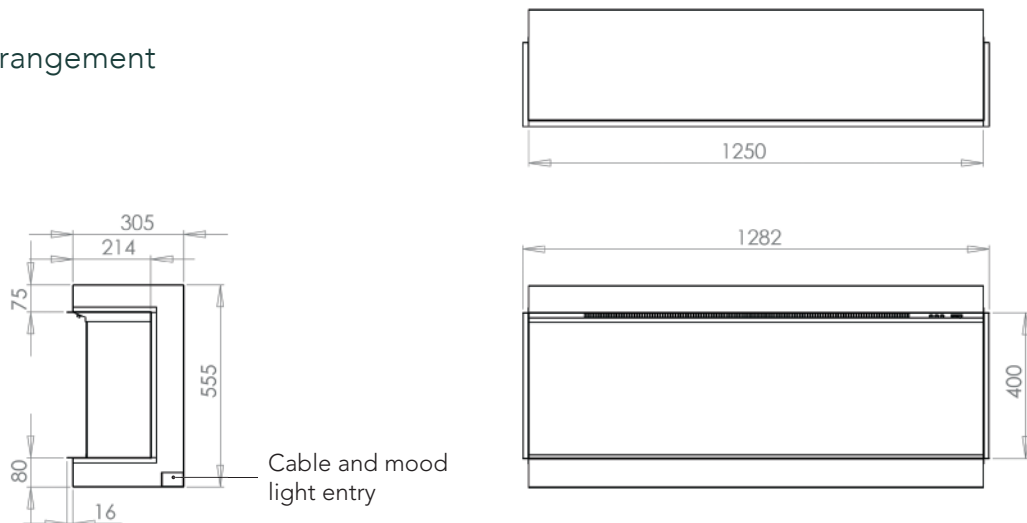
i750e Deep Three-sided arrangement



i1000e Deep Three-sided arrangement



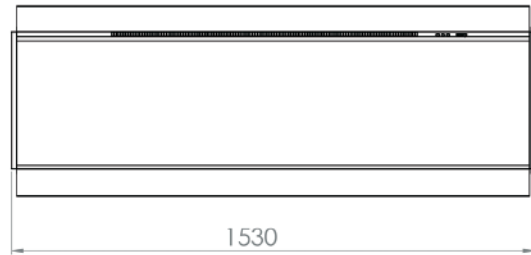
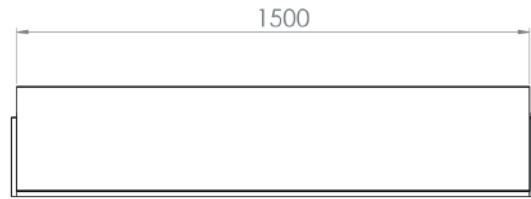
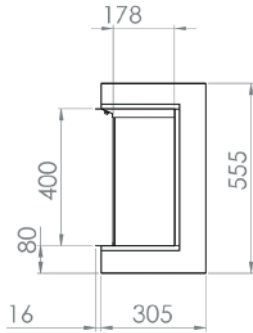
i1250e Deep Three-sided arrangement



NOTE: Drawings are only to be used as a guide, exact installation dimensions are in the instruction manual

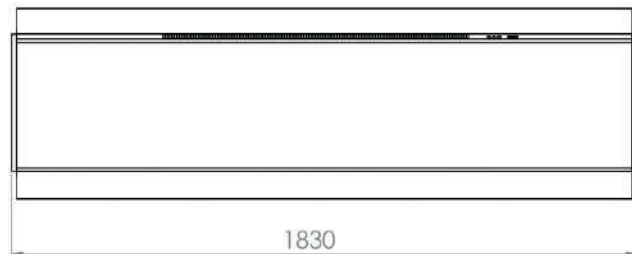
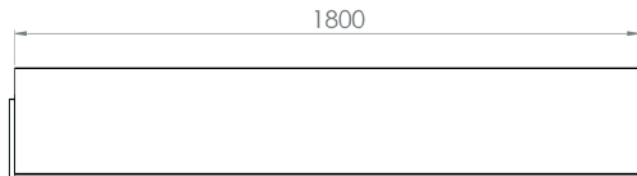
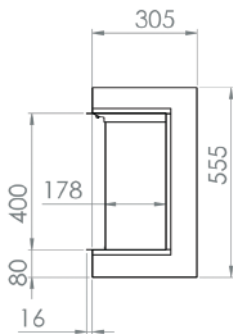
i1500e Deep

Three-sided arrangement



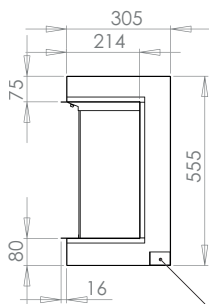
i1800e Deep

Three-sided arrangement

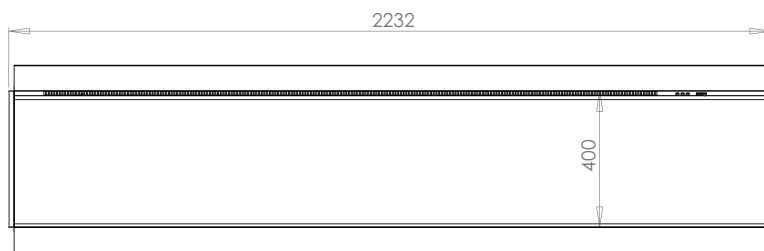
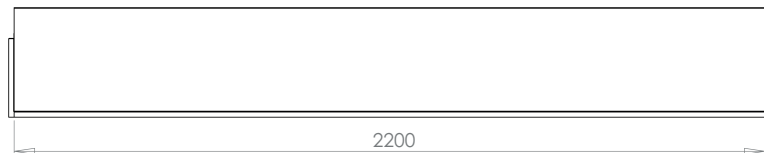


i2200e Deep

Three-sided arrangement



Cable and mood light entry

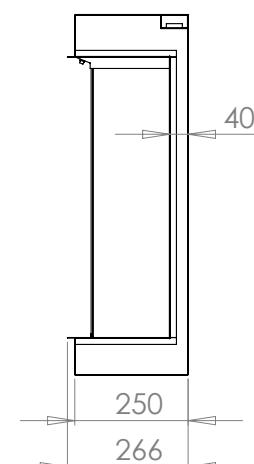
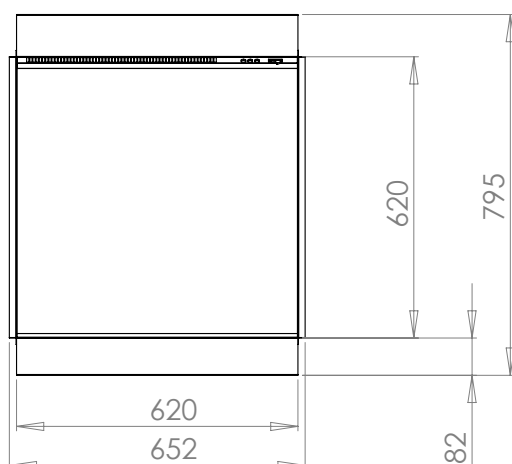
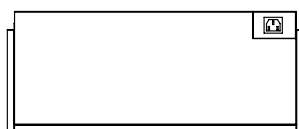


Dimensions & Specifications



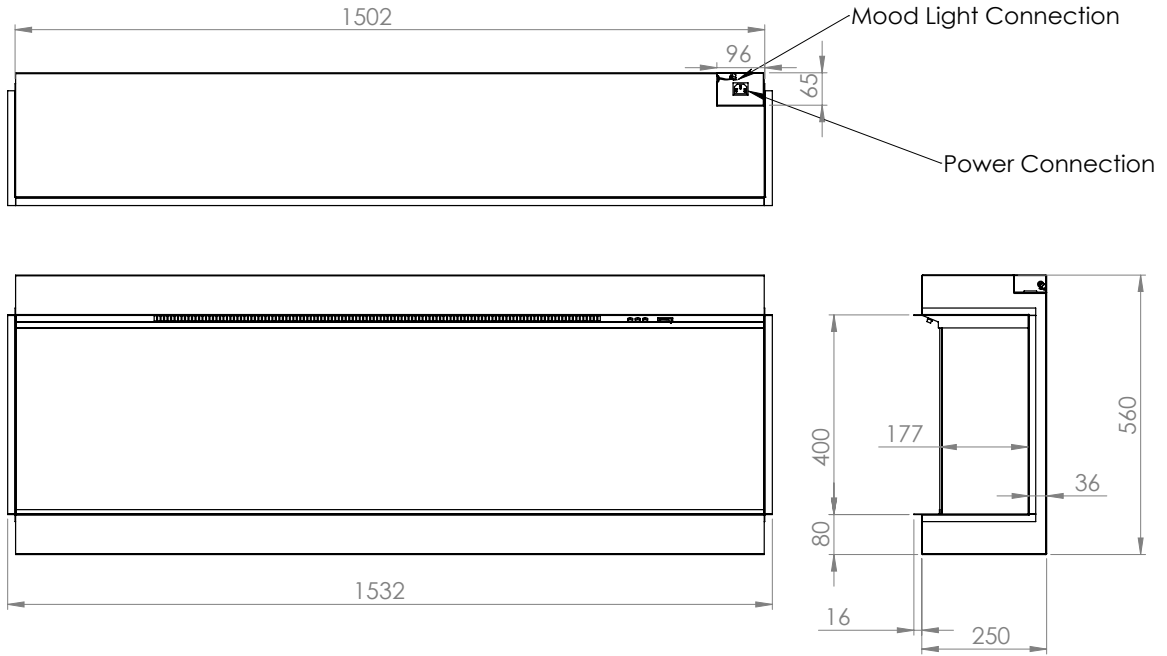
Luminosa 62

Three-Sided Arrangement



Luminosa 150

Three-Sided Arrangement

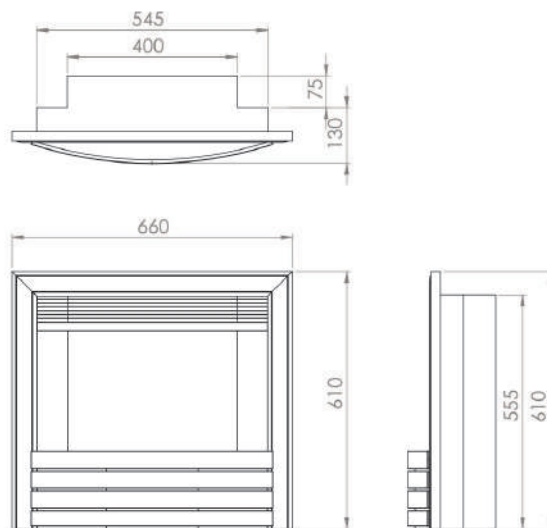


Dimensions & Specifications



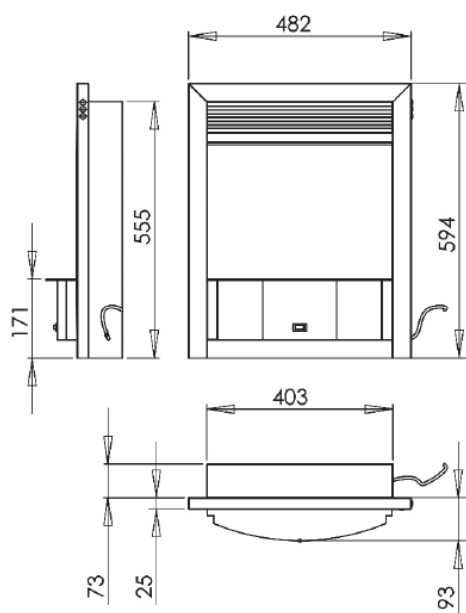
4D Ecoflame22

Without spacer



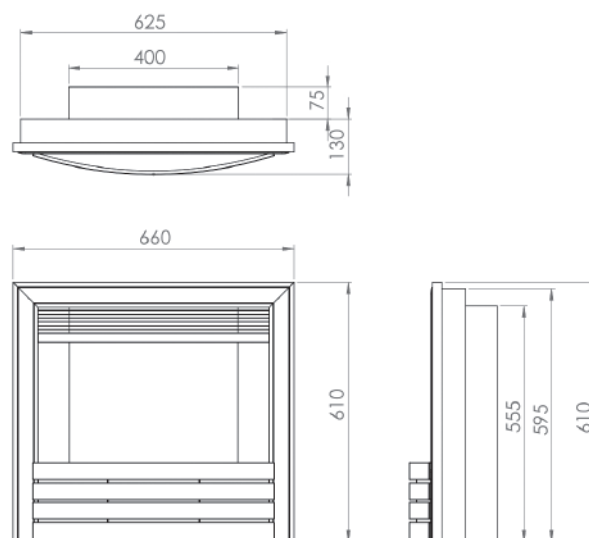
3D & 4D Ecoflame™

Ultra-realistic flame effect



4D Ecoflame22"

With spacer, can be fitted into a 16" opening

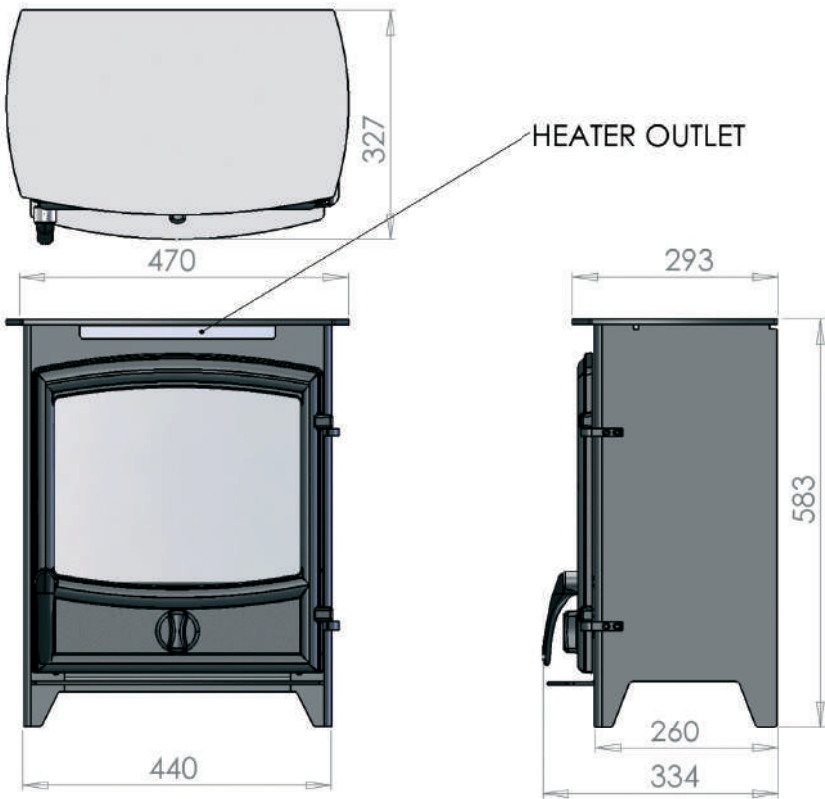


NOTE: Additional standoff spacers are provided for use when TRIM LIGHTS are required

3D Ecoflame™ Stoves

Dimensions on Log Store

Height: 785mm
Width: 444mm
Depth: 300mm



NOTE: All electric stove models have the same dimensions (curved door shown)



Fascia Options

3D & 4D ECOFLAME™

ELITE FASCIA

Only the Elite Fascia is compatible with our optional LED Mood Lighting.



Brass/Black



Chrome/Black



Satin/Black



Chrome/Chrome

PRESTIGE FASCIA

STANDARD TRIM & CAST GATE FRET



Nickel/Chrome



Nickel/Black



Chrome



Brass

CAST ARCH FASCIA



Black



Chrome



Brass

SQUARE CAST FASCIA



Pewter



Gun Metal



Brass

Company Certifications



The **UKCA (UK Conformity Assessed) mark** is the UK product mark that the CE mark for products being placed on the market in Great Britain (England, Wales and Scotland). It covers most products that previously required the CE mark. All our fires comply to this.



Gas Safe Register is the mandatory national competent persons scheme to allow work on gas fittings and appliances in customers' homes. Our service and most of the sales team have completed the regular training courses and sit the regular exams to ensure our customers have the best support and service.



ISO9001 is the internationally recognised standard for Quality Management Systems which in our case includes the activity of product design and development as well as production, sale and support functions. Annual independent audits and certification ensure continued compliance in producing consistent quality products.



HHIC, the Heating and Hot Water Information Council is a trade body representing the UK gas fire industry. As part of the Energy and Utilities Alliance, within the HHIC we have an input into EU and UK standards committees, communicate with Government departments and keep abreast of serious issues affecting the gas fire industry.



ISO14001 is the internationally recognised standard for Environmental Management Systems. Once again this independently audited and certified system makes sure that we are regularly monitoring and reviewing the impact of the business and its products to ensure we minimise negative impacts and promote best practice.



SIA, the Stove Industry Association is the UK trade body for the solid fuel stove industry. C&J are members of the Executive Committee and currently chair the Technical Committee enabling input into UK and EU standards committees and lines of communication into Government departments and keeping up to date on a wide range of issues affecting the industry.



clearSkies is a certification mark for Emissions and Energy Performance of domestic wood and solid fuel stoves and fireplaces. clearSkies ratings, namely the certification levels, will show appliances that meet defined emissions and efficiency thresholds that exceed the minimum requirements set by the ecodesign regulation.



CE marking of products is mandatory for electric fires and stoves in Europe. We always invest in independent testing and certification to ensure our products meet all necessary requirements for the regions we operate in.

The Charlton and Jenrick Way

OUR HERITAGE

Since being established in 1986, we have grown and now sell products across all fuel types.

Regardless of whether you need a gas, wood-burning, solid-fuel, or electric appliance we have a product to fit your needs.

See our full range at:
charltonandjenrick.co.uk



SEE ONE OF OUR PRODUCTS LIVE

We believe you need to see one of our product with your own eyes before purchasing, to fully understand how it fits into your home.

This is why we sell through a network of over 400 independent fireplace showrooms right across the UK.



SEE OUR OTHER PRODUCT RANGES

Purevision

State of the art design for the ultimate in luxury stoves.



Fireline

A range of modern and traditional designs, the Fireline range has the perfect stove for you.



Go Eco

A range of glamping, cooking and conventional stoves for home and glamping environments.



Gas

Gas stoves, inset fires, and large format fires to suit every interior style.



Please note: Our policy is one of constant development and improvement. Charlton and Jenrick therefore reserves the right to revise the specification and design of its products without formal notice. This brochure is presented as a guide to aid in your decision and does not replace the need for technical assessment by your dealer. Whilst the utmost care is taken in preparation of this brochure, it is not intended to replace the installation manual which provides more detailed information. Photography is for illustration purposes only and does not replace the need to see the product in a showroom. We accept no liability for any loss or damage arising either directly or indirectly from the use of this brochure.

Notes



FORJAS

For more information call **01952 200444**

www.forjas-salvador.com



FORJAS

SALVADOR

www.forjas-salvador.com

Notes




Charlton & Jenrick^{LTD}

Charlton & Jenrick Ltd,
Unit D, Stafford Park 2, Telford,
Shropshire, TF3 3AR
Tel: 01952 200444
Email: sales@charltonandjenrick.co.uk
www.charltonandjenrick.co.uk

CONNECT WITH US

 @cjfires

 cjfires

 1cjgroup

 charlton-&-jenrick-ltd

 charltonandjenrick

 cjfires

 SAFARI
Issue E2