

## AUSTROFLAMM SINA



[Ver más información online](#)



Operating manual

**Sina / Sina Xtra**



**AUSTROFLAMM**

[www.austroflamm.com](http://www.austroflamm.com)



[www.forjas-salvador.com](http://www.forjas-salvador.com)

Operating manual

02/07/2024

Version: 5.0

#### LEGAL NOTICES

Owner and publisher

AUSTROFLAMM GMBH

Austroflamm-Platz 1

A- 4631 Krenglbach

Tel: +43 (0) 7249 / 46 443

[www.austroflamm.com](http://www.austroflamm.com)

[info@austroflamm.com](mailto:info@austroflamm.com)

Edited by: Olivera Stojanovic

Illustrations: Konstruktion

Text: Technical department (Austroflamm)

#### Copyright

All Rights reserved. The contents of these instructions may be reproduced or distributed only with the consent of the publisher! Printing, spelling and typographical errors reserved.

The information in this document is subject to change without prior notice and should not be construed as a commitment by Austroflamm GmbH. Austroflamm GmbH assumes no responsibility for any errors that may appear in this document.

## Contents

<b>1</b>	<b>General information</b> .....	<b>5</b>
1.1	Copyright.....	5
1.2	Information about the document .....	5
<b>2</b>	<b>Purpose of the manual</b> .....	<b>6</b>
2.1	Storing the manual .....	6
2.2	Structure of the manual.....	6
2.3	Representations used.....	6
2.4	Version control.....	7
2.5	Abbreviations .....	7
<b>3</b>	<b>Safety</b> .....	<b>8</b>
3.1	Importance of the safety instructions .....	8
3.2	General safety instructions .....	8
3.3	Special types of danger and personal protective equipment .....	9
<b>4</b>	<b>Product overview</b> .....	<b>10</b>
4.1	Intended use .....	10
4.2	Identification of the product.....	10
4.3	Energy label.....	11
4.4	Positioning of the type plate .....	12
<b>5</b>	<b>Technical data</b> .....	<b>13</b>
	Technical data according to Regulation (EU) 2015/1185 and delegated Regulation (EU)	
5.1	2015/1186 .....	13
5.2	General specifications Sina .....	18
5.3	General specifications Sina Xtra .....	19
<b>6</b>	<b>Transport, handling and storage</b> .....	<b>20</b>
6.1	Transportation.....	20
6.2	Storage.....	20
<b>7</b>	<b>Requirements at the installation location</b> .....	<b>21</b>
7.1	Safety distances to be observed.....	21
7.2	Combustion air .....	23
7.3	Chimney requirements .....	23
7.4	Floor load-bearing capacity .....	23
7.5	Floor condition.....	23
7.6	Room of installation.....	23
<b>8</b>	<b>Fuel material/-quantity</b> .....	<b>24</b>
8.1	Fuel.....	24
8.2	Fuel quantity.....	26
<b>9</b>	<b>Installation</b> .....	<b>27</b>
9.1	Execution .....	28
9.1.1	Mounting the side cladding .....	28
9.1.2	Rearranging the flue pipe connection .....	29
9.1.3	Installing external air connection at the rear.....	31

9.1.4	Installing AIR+ controls (optional) .....	33
9.1.5	Installing HMS (optional).....	36
9.1.6	Installing Xtra (optional).....	38
9.1.7	Installing base door (optional).....	39
9.1.8	Installing raceway panel (optional).....	39
9.1.9	Installing Keramott.....	40
<b>10</b>	<b>Settings .....</b>	<b>41</b>
10.1	Aligning the stove.....	41
10.2	Adjusting the door .....	41
10.3	Adjusting the door lock .....	42
<b>11</b>	<b>Commissioning .....</b>	<b>43</b>
11.1	Initial Commissioning.....	43
<b>12</b>	<b>Operation.....</b>	<b>44</b>
12.1	Before heating up.....	44
12.2	Making fire correctly.....	44
12.3	Heating in the transition period.....	45
<b>13</b>	<b>Maintenance.....</b>	<b>46</b>
<b>14</b>	<b>Cleaning.....</b>	<b>47</b>
14.1	Cleaning the stove, flue gas ducts and flue pipe .....	47
14.2	Cleaning flue gas paths .....	47
14.3	Emptying the ash box .....	47
14.4	Cleaning the door window.....	49
14.5	Cleaning surfaces .....	49
<b>15</b>	<b>Help .....</b>	<b>50</b>
15.1	Firebox lining .....	51
15.2	What to do in the event of a chimney fire.....	51
15.3	What to do in the event of faults.....	51
<b>16</b>	<b>Accessories .....</b>	<b>52</b>
<b>17</b>	<b>Spare parts.....</b>	<b>53</b>
<b>18</b>	<b>Dismantling .....</b>	<b>54</b>
18.1	Removing side cladding .....	54
18.2	Removing the door.....	55
<b>19</b>	<b>Disposal.....</b>	<b>57</b>
<b>20</b>	<b>Guarantee / warranty .....</b>	<b>59</b>
<b>21</b>	<b>Start up log .....</b>	<b>60</b>
<b>22</b>	<b>Service Report.....</b>	<b>61</b>

# 1 General information

You have decided in favour of an Austroflamm stove.

## **Congratulations on your decision and thank you for your trust.**

Correct operation and care are essential for trouble-free operation and long service life.

The information in this manual is of a general nature. National and European standards, local and building regulations, together with fire regulations must be complied with.

Read these instruction through carefully before installation and operation. No liability or warranty claims apply for damage incurred by failure to follow this manual.

Please observe the instructions in the individual sections.

This manual is a component part of the stove. It includes all the important information for both the dealer and the customer.

Personally hand over this manual to the owner of the stove together with an introduction to the system (heating operations).

In the following list we give you an overview of which sections are important for whom:

Dealer	End customer
Complete operating manual	General information
	Purpose of the manual
	Safety
	Product overview
	Technical data
	Requirements at the installation location
	Fuel material/-quantity
	Settings
	Commissioning
	Operation
	Maintenance
	Cleaning
	Help
	Accessories
	Spare parts
	Disassembling
Disposal	
Guarantee / warranty	
Data processing	
Service Report	

## 1.1 Copyright

All Rights reserved. The contents of these instructions may be reproduced or distributed only with the consent of the publisher! Printing, spelling and typographical errors reserved.

## 1.2 Information about the document

The information in this document is subject to change without prior notice and should not be construed as a commitment by Austroflamm GmbH. Austroflamm GmbH assumes no responsibility for any errors that may appear in this document.

## 2 Purpose of the manual

This manual is a component part of the stove and is intended to contribute to the stove being safely installed and maintained.

### TIP

Please read this manual before using the stove for the first time.

### 2.1 Storing the manual

Store this manual in case you need it. A current version of the manual can be found online at our homepage [www.austroflamm.com](http://www.austroflamm.com).

### 2.2 Structure of the manual

The table of contents can be found on page 3.  
Illustrations in this manual may differ from the delivered product.

### 2.3 Representations used

The following representations are used in this manual:

#### Steps with mandatory adherence to the sequence

- ✓ Prerequisite
- 1) Step 1
- 2) Step 2
- 3) .....
- ⇒ Intermediate result / additional information
- ⇒ Result

#### Steps and bullet points without mandatory sequence

- ....
- ....
- ....
- ....

#### Cross-references

See Technical Data

#### Useful tips

### TIP

#### Fuel

Use only the recommended fuel!



## 2.4 Version control

We update our manuals on a continual basis. The current version can be found at our homepage [www.austroflamm.com](http://www.austroflamm.com).

## 2.5 Abbreviations

Abbreviation	Meaning
HMS	Heat Memory System
ST	Stoves



FORJAS  
SALVADOR

[www.forjas-salvador.com](http://www.forjas-salvador.com)



## 3 Safety

In this manual we give you numerous safety instructions for the safe operation of your stove. These instructions are characterized differently as follows, depending on their importance:

### 3.1 Importance of the safety instructions

#### NOTICE

Particular behaviour and/or activities that are required for safe working. Failure to follow this can result in material damage.

#### CAUTION

Possible dangerous situation (light or minor injuries and material damage).

#### WARNING

Possibly imminent danger to life and health of persons (severe injuries or death).

#### DANGER

Immediately imminent danger to life and health of persons (severe injuries or death).

### 3.2 General safety instructions

- The information in this manual represents generally applicable standards and rules. For installing/operating a stove, all local regulations including those that relate to national and European standards, as well as emergency service regulations, must be complied with.
- Before operating your stove, carefully read through the entire manual and observe the instructions and warnings.
- Austroflam GmbH accepts no liability or responsibility for the connection of our heating appliances to shared exhaust pipes/chimneys - **multiple occupancy**. For more information consult a chimney sweep and check your national, regional and local building regulations.
- Only approved transport aids with sufficient load-bearing capacity may be used to transport your stove.
- Caution - varnish is not an anti-rust protection!
- Burn only the fuel listed and approved in the section.
- It is strictly forbidden to burn or introduce highly flammable or explosive substances, such as empty aerosols and the like, into the firebox or to store them in the immediate vicinity of your stove due to the risk of explosion.
- No loose or easily flammable items of clothing should be worn when laying the fire.
- Please note that placing non-heat-resistant objects on, or near, the stove is forbidden.
- Do not place any items of laundry on the stove to dry. Laundry racks or the like must be placed at a sufficient distance from the stove. - (Fire hazard!)
- This stove is not a slow-burn fire.
- While your stove is in operation, it is forbidden to process highly flammable or explosive substances in the same room or in adjoining rooms.
- The stove must only be operated with the doors closed.
- The door and all the stove's control devices must be closed when the stove is not in operation.

- Please note that the surfaces of this stove heat up considerably during operation. We recommend that you use the protective glove supplied to operate your stove.



- Please alert children to these dangers, and keep them away from the stove when it is operating.

## DANGER



### Danger of overheating

To prevent damage you must **NEVER** operate your stove with a greater quantity of fuel than the quantity given in these instructions, either during its initial commissioning or every time you subsequently light it up again!

- Your stove is not suitable for use as a ladder or a stand.
- Waste materials (of any kind) or residues **MUST NOT** be burned in the stove.
- When working on or with the stove, always wear protective gloves. Example: moving the stove, assembling, disassembling, repairing, attaching accessories, etc.
- Sharp edges may be created during or after the installation of accessory parts. Please use suitable grinding or cutting tools to remove these sharp edges.

### 3.3 Special types of danger and personal protective equipment

For certain activities such as installation/dismantling, particular care must be taken that the following safety equipment is worn:

	Safety gloves
	Safety shoes

## 4 Product overview

### 4.1 Intended use

The Austroflamm stove described in this manual is manufactured and tested with a type A1 self-closing and locking door under EN 13240.

#### NOTICE

Operation is only permissible with closed/bolted door.

### 4.2 Identification of the product

In the following illustrations we give an overview of the most important dimensions and the nameplate positioning.

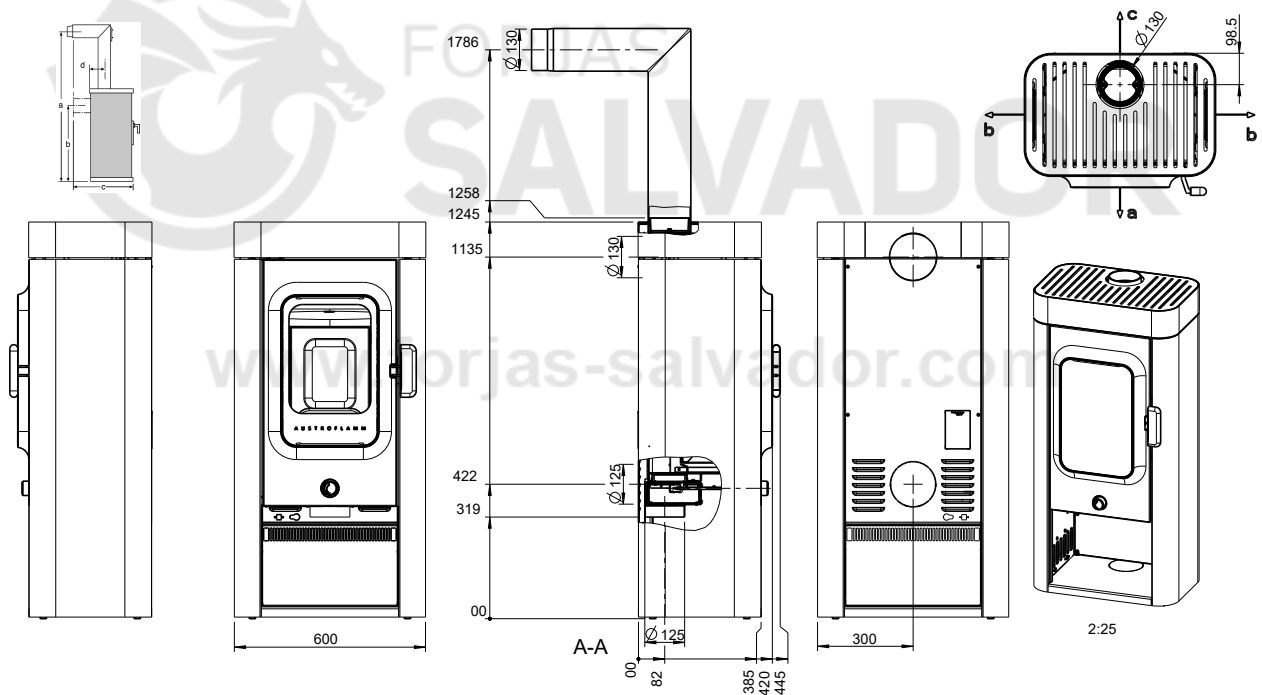


Fig. 1: Basic appliance dimensions

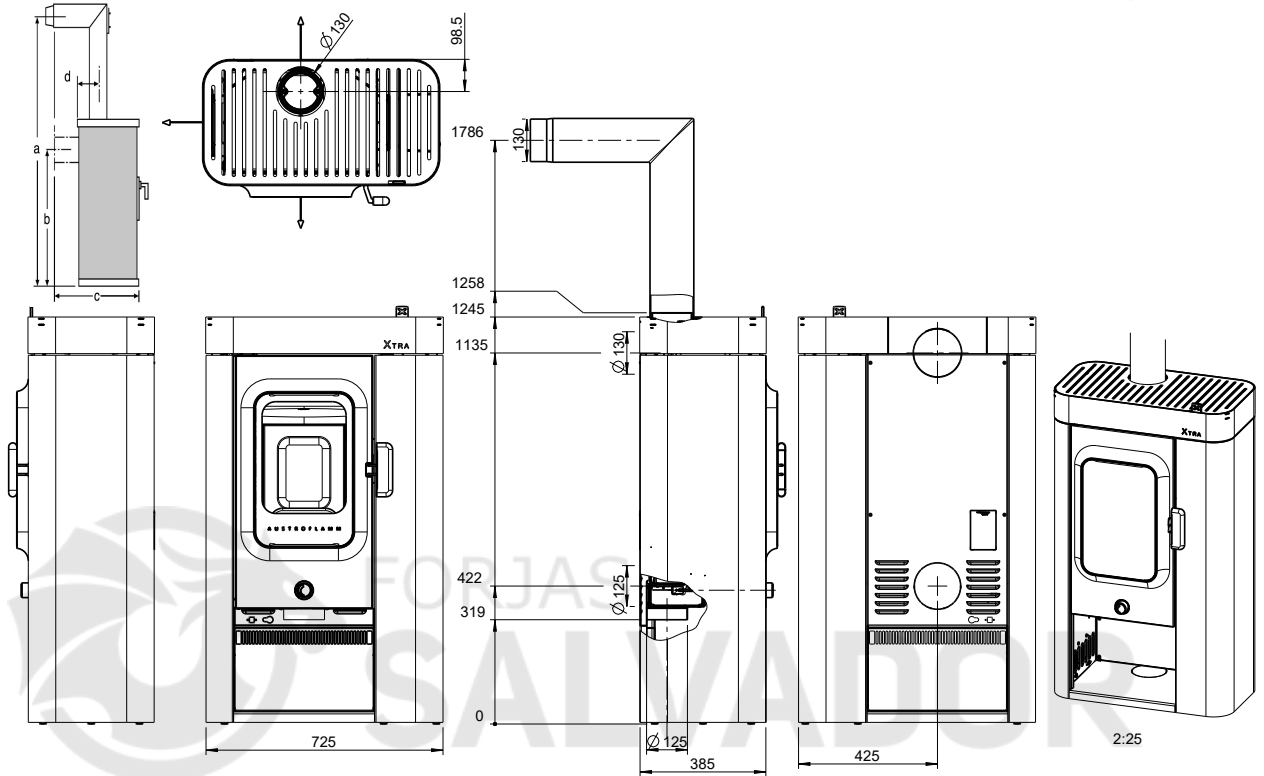


Fig. 2: Dimensions inc. Xtra (optional)

### 4.3 Energy label

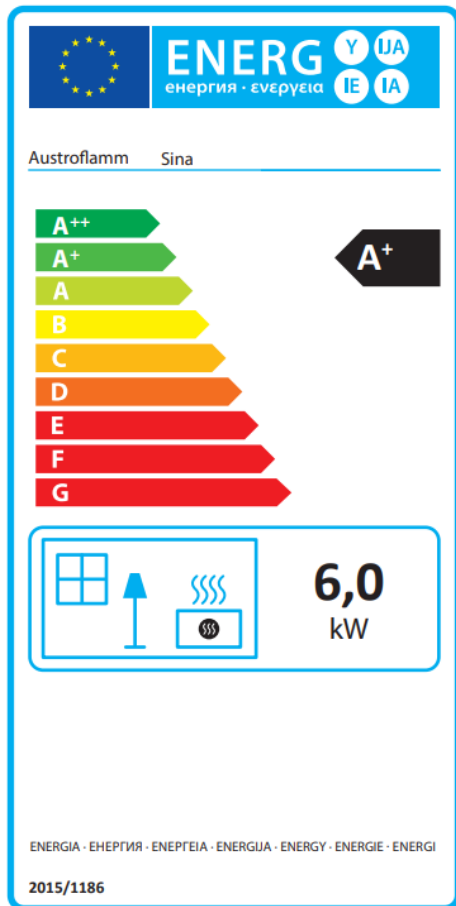


Fig. 3: Energy label Sina

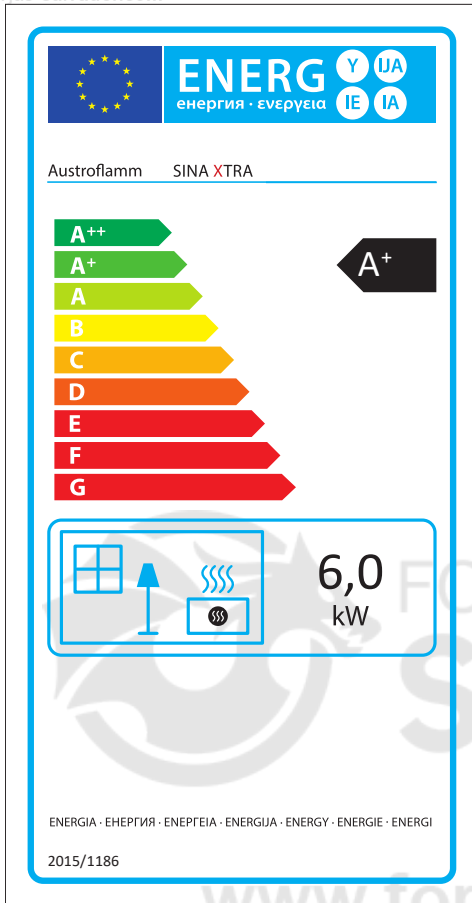


Fig. 4: Energy label Sina-Xtra

#### 4.4 Positioning of the type plate

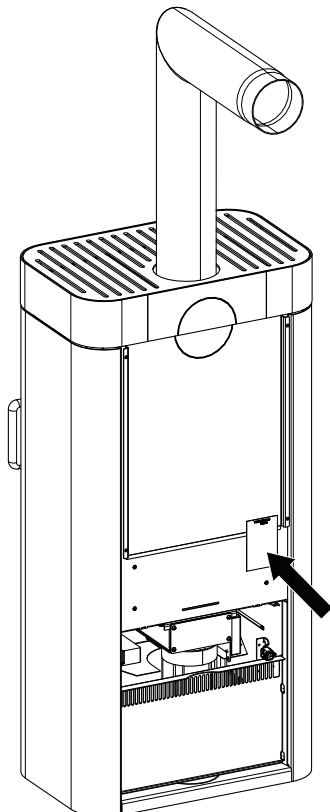


Fig. 5: Type plate

The type plate is located on the rear of the stove.

## 5 Technical data

As a type 1 stove, a connection to a chimney already occupied with other solid-fuel stoves and ovens is possible provided that the chimney rating under DIN 4705 – part 3, does not contravene this.

### 5.1 Technical data according to Regulation (EU) 2015/1185 and delegated Regulation (EU) 2015/1186

#### Contact details for the manufacturer or their authorised representative

Manufacturer:	Austroflamm GmbH
Contact:	-
Address:	Austroflamm-Platz 1
	4631 Krenglbach
	Austria

#### Appliance details

Model identification(s):	SINA
Equivalent models:	-
Test reports:	1880 / 1880-CPR-091-21
Applied harmonized standards:	EN 13240:2001 / A2:2004 / AC:2007
Other standards/technical specifications. Specifications:	CEN/TS 15883:2009
Indirect heating function:	No
Direct heat output:	6.0 kW
Indirect heat output <sup>1</sup> :	-

#### Properties for operation with the preferred fuel

Space heating annual use efficiency $\eta_s$ :	75.1 %
Energy efficiency index (EEI):	113

**Particular precautions for assembly, installation or maintenance**

Described in the individual sections of the operating manual.

Fuel	Preferred fuel (only one) <sup>2</sup> :	Other suitable fuel(s) <sup>3</sup> :	$\eta_s$ [%]:	Space heating emissions at nominal thermal efficiency (*)				Space heating emissions at minimum heat efficiency <sup>4</sup> (*) (**)			
				PM	OGC	CO	NOx	PM	OGC	CO	NOx
				[x] mg/Nm <sup>3</sup> (13% O <sub>2</sub> ) <sup>5</sup>				[x] mg/Nm <sup>3</sup> (13% O <sub>2</sub> ) <sup>6</sup>			
Log, moisture content ≤ 25 %	yes	no	75.1	20	21	539	95	-	-	-	-
Compregnated laminated wood, moisture content < 12 %	no	no	-	-	-	-	-	-	-	-	-
Other woody biomass	no	no	-	-	-	-	-	-	-	-	-
Non-woody biomass	no	no	-	-	-	-	-	-	-	-	-
Anthracite and dry steam coal	no	no	-	-	-	-	-	-	-	-	-
Coking coal	no	no	-	-	-	-	-	-	-	-	-
Semi-coke	no	no	-	-	-	-	-	-	-	-	-
Bituminous coal	no	no	-	-	-	-	-	-	-	-	-
Lignite briquettes	no	no	-	-	-	-	-	-	-	-	-
Peat briquettes	no	no	-	-	-	-	-	-	-	-	-
Briquettes made from a mixture of fossil fuels	no	no	-	-	-	-	-	-	-	-	-
Other fossil fuels	no	no	-	-	-	-	-	-	-	-	-
Briquettes made from mixture of biomass and fossil fuels	no	no	-	-	-	-	-	-	-	-	-
Other mixture made of biomass and solid fuels	no	no	-	-	-	-	-	-	-	-	-

(\*) PM = dust, OGC = organic gaseous connections, CO = carbon monoxide, NOx = nitrogen oxide

(\*\*) Only required when using correction factors F(2) or F(3).

**Properties for exclusive operation with the preferred fuels<sup>7</sup>**

Specification	Symbol	Value	Unit	Specification	Symbol	Value	Unit	
<b>Heat output</b>				<b>Thermal efficiency (fuel efficiency) (based on the NCV)</b>				
Nominal heat efficiency	P <sub>nom</sub>	6.0	kW	Thermal efficiency (fuel efficiency) at nominal heat efficiency	η <sub>th,nom</sub>	85.1	%	
Minimum heat output (standard value)	P <sub>min</sub>	-	kW	Thermal efficiency (fuel efficiency) at minimum heat output (standard value)	η <sub>th,min</sub>	-	%	
<b>Auxiliary power consumption</b>				<b>Type of heat output/room temperature control</b>				
At nominal heat efficiency	e <sub>lmax</sub>	-	kW	single-level heat output, no room temperature control			yes	
At minimum heat output	e <sub>lmin</sub>	-	kW	two or more manually adjustable levels, no room temperature control			no	
In standby condition	e <sub>lSB</sub>	-	kW	room temperature control with mechanical thermostat			no	
<b>Pilot flame power requirement</b>				with electronic room temperature control				
Pilot flame power requirement (if present)	P <sub>pilot</sub>	-	kW	with electronic room temperature control and day-time regulation			no	
				with electronic room temperature control and weekday regulation				
				<b>Other regulation options</b> (multiple selections possible)				
				room temperature control with presence detection				no
				room temperature control with open window detection				no
				with remote control option				no

<sup>1</sup> There is no entry for fireplaces without water-carrying components.

<sup>2</sup> Values for annual use efficiency and emissions must be given here for the preferred fuel.

<sup>3</sup> Values for annual use efficiency and emissions must be given here for all other suitable fuels.

<sup>4</sup> Corresponds to partial load heat output as per EN 16510

<sup>5</sup> Specification in mg/m<sup>3</sup> for heated filter method (in compliance with Annexe III, number 4, letter a, section i, point 1) or g/kg for measurement in dilution tunnel (in compliance with Annexe III, number 4, letter a, section i, point 2 and 3.)

<sup>6</sup> Specification mg/m<sup>3</sup> for heated filter method (in compliance with Annexe III, number 4, letter a, section i, point 1) or g/kg for measurement in dilution tunnel (in compliance with Annexe III, number 4, letter a, section i, point 2 and 3.)

<sup>7</sup> Specifications must be made here for the preferred fuel only.

### Appliance details

Model identification(s):	Sina Xtra
Equivalent models:	-
Test reports:	1880 / 1880-CPR-091-21
Applied harmonized standards:	EN 13240:2001 / A2:2004 / AC:2007
Other standards/technical specifications. Specifications:	CEN/TS 15883:2009
Indirect heating function:	No
Direct heat output:	6.0 kW
Indirect heat output <sup>1</sup> :	-

### Properties for operation with the preferred fuel

Space heating annual use efficiency $\eta_s$ :	75.1 %
Energy efficiency index (EEI):	113

### Particular precautions for assembly, installation or maintenance

Described in the individual sections of the operating manual.

Fuel	Preferred fuel (only one) <sup>2</sup> :	Other suitable fuel(s) <sup>3</sup> :	$\eta_s$ [x%]:	Space heating emissions at nominal thermal efficiency (*)				Space heating emissions at minimum heat efficiency <sup>4</sup> (*) (**)			
				PM	OGC	CO	NO <sub>x</sub>	PM	OGC	CO	NO <sub>x</sub>
				[x] mg/Nm <sup>3</sup> (13% O <sub>2</sub> ) <sup>5</sup>				[x] mg/Nm <sup>3</sup> (13% O <sub>2</sub> ) <sup>6</sup>			
Log, moisture content $\leq$ 25 %	yes	no	75.1	20	21	539	95	-	-	-	-
Compregnated laminated wood, moisture content < 12 %	no	no	-	-	-	-	-	-	-	-	-
Other woody biomass	no	no	-	-	-	-	-	-	-	-	-
Non-woody biomass	no	no	-	-	-	-	-	-	-	-	-
Anthracite and dry steam coal	no	no	-	-	-	-	-	-	-	-	-
Coking coal	no	no	-	-	-	-	-	-	-	-	-
Semi-coke	no	no	-	-	-	-	-	-	-	-	-
Bituminous coal	no	no	-	-	-	-	-	-	-	-	-
Lignite briquettes	no	no	-	-	-	-	-	-	-	-	-
Peat briquettes	no	no	-	-	-	-	-	-	-	-	-
Briquettes made from a mixture of fossil fuels	no	no	-	-	-	-	-	-	-	-	-
Other fossil fuels	no	no	-	-	-	-	-	-	-	-	-
Briquettes made from mixture of biomass and fossil fuels	no	no	-	-	-	-	-	-	-	-	-
Other mixture made of biomass and solid fuels	no	no	-	-	-	-	-	-	-	-	-

(\*) PM = dust, OGC = organic gaseous connections, CO = carbon monoxide, NO<sub>x</sub> = nitrogen oxide

(\*\*) Only required when using correction factors F(2) or F(3).

**Properties for exclusive operation with the preferred fuels<sup>7</sup>**

Specification	Symbol	Value	Unit	Specification	Symbol	Value	Unit	
<b>Heat output</b>				<b>Thermal efficiency (fuel efficiency) (based on the NCV)</b>				
Nominal heat efficiency	P <sub>nom</sub>	6.0	kW	Thermal efficiency (fuel efficiency) at nominal heat efficiency	η <sub>th,nom</sub>	85.1	%	
Minimum heat output (standard value)	P <sub>min</sub>	-	kW	Thermal efficiency (fuel efficiency) at minimum heat output (standard value)	η <sub>th,min</sub>	-	%	
<b>Auxiliary power consumption</b>				<b>Type of heat output/room temperature control</b>				
At nominal heat efficiency	e <sub>lmax</sub>	-	kW	single-level heat output, no room temperature control			yes	
At minimum heat output	e <sub>lmin</sub>	-	kW	two or more manually adjustable levels, no room temperature control			no	
In standby condition	e <sub>lSB</sub>	-	kW	room temperature control with mechanical thermostat			no	
<b>Pilot flame power requirement</b>				with electronic room temperature control				
Pilot flame power requirement (if present)	P <sub>pilot</sub>	-	kW	with electronic room temperature control and daytime regulation			no	
				with electronic room temperature control and weekday regulation				
				<b>Other regulation options</b> (multiple selections possible)				
				room temperature control with presence detection				no
				room temperature control with open window detection				no
				with remote control option				no

<sup>1</sup> There is no entry for fireplaces without water-carrying components.

<sup>2</sup> Values for annual use efficiency and emissions must be given here for the preferred fuel.

<sup>3</sup> Values for annual use efficiency and emissions must be given here for all other suitable fuels.

<sup>4</sup> Corresponds to partial load heat output as per EN 16510

<sup>5</sup> Specification in mg/m<sup>3</sup> for heated filter method (in compliance with Annexe III, number 4, letter a, section i, point 1) or g/kg for measurement in dilution tunnel (in compliance with Annexe III, number 4, letter a, section i, point 2 and 3.)

<sup>6</sup> Specification mg/m<sup>3</sup> for heated filter method (in compliance with Annexe III, number 4, letter a, section i, point 1) or g/kg for measurement in dilution tunnel (in compliance with Annexe III, number 4, letter a, section i, point 2 and 3.)

<sup>7</sup> Specifications must be made here for the preferred fuel only.

## 5.2 General specifications Sina

Dimensions and weight	
Height [mm]	1245
Width [mm]	600
Depth [mm]	421
Combustion chamber width [mm]	396
Combustion chamber height [mm]	379
Combustion chamber depth [mm]	231
Baking compartment width [mm]	-
Baking compartment height [mm]	-
Baking compartment depth [mm]	-
Warming drawer, width [mm]	-
Warming compartment height [mm]	-
Warming drawer, depth [mm]	-
Dimensions, a (with Austroflamm elbow piece) [mm]	1786
Dimensions, b (with Austroflamm elbow piece) [mm]	1135
Dimensions, c (with Austroflamm elbow piece) [mm]	706
Dimensions, d (with Austroflamm elbow piece) [mm]	99
Flue pipe outlet, diameter [mm]	130
Outside air connection diameter [Ø mm]	125
Weight, basic appliance [kg]	156
Weight Xtra [kg]	-
Weight, HMS [kg]	67
Total weight inc. steel case (STM) [kg]	156
Total weight inc. ceramic case (KGM) [kg]	-
Total weight inc. soapstone case (SPM) [kg]	-
dP Radiation front [mm]	1000
dS1 Distance left [mm]	250
dR Distance rear [mm]	150
dS2 Distance right [mm]	250
dB Distance bottom [mm]	0
Minimum distance from non-flammable materials [mm]	50
Output	
Nominal heat efficiency [kW]	6.0
Minimum heat output [kW]	3.5
Maximum heat output [kW]	8.0
Minimum room heating capacity [m <sup>3</sup> ]	65
Maximum room heating capacity [m <sup>3</sup> ]	165
Energy efficiency class	A+
Data for the chimney sweep	
Exhaust gas mass flow [g/s]	4.4
Flue gas temperature [°C]	271
Minimum delivery pressure at nominal heat output [Pa]	12
at 0.8 times nominal heat output [Pa]	10

### 5.3 General specifications Sina Xtra

Dimensions and weight	
Height [mm]	1245
Width [mm]	727
Depth [mm]	421
Combustion chamber width [mm]	396
Combustion chamber height [mm]	379
Combustion chamber depth [mm]	231
Baking compartment width [mm]	-
Baking compartment height [mm]	-
Baking compartment depth [mm]	-
Warming drawer, width [mm]	-
Warming compartment height [mm]	-
Warming drawer, depth [mm]	-
Dimensions, a (with Austroflamm elbow piece) [mm]	1786
Dimensions, b (with Austroflamm elbow piece) [mm]	1135
Dimensions, c (with Austroflamm elbow piece) [mm]	706
Dimensions, d (with Austroflamm elbow piece) [mm]	99
Flue pipe outlet, diameter [mm]	130
Outside air connection diameter [Ø mm]	125
Weight, basic appliance [kg]	156
Weight Xtra [kg]	148
Weight, HMS [kg]	-
Total weight inc. steel case (STM) [kg]	336
Total weight inc. ceramic case (KGM) [kg]	-
Total weight inc. soapstone case (SPM) [kg]	-
dP Radiation front [mm]	1000
dS1 Distance left [mm]	50
dR Distance rear [mm]	150
dS2 Distance right [mm]	50
dB Distance bottom [mm]	0
Minimum distance from non-flammable materials [mm]	50
Output	
Nominal heat efficiency [kW]	6.0
Minimum heat output [kW]	3.5
Maximum heat output [kW]	8.0
Minimum room heating capacity [m <sup>3</sup> ]	65
Maximum room heating capacity [m <sup>3</sup> ]	165
Energy efficiency class	A+
Data for the chimney sweep	
Exhaust gas mass flow [g/s]	4.4
Flue gas temperature [°C]	271
Minimum delivery pressure at nominal heat output [Pa]	12
at 0.8 times nominal heat output [Pa]	10

## 6 Transport, handling and storage

### 6.1 Transportation



Fig. 6: Crate

Every Austroflamm stove is packed for protection and environmental friendliness.

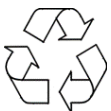
The packaging consists of:

- The pallet,
  - crate and
  - protective film.
- 1) The packaging consists of untreated local wood or materials.
  - 2) Use a lifting truck or forklift to transport the crate including the stove.
  - 3) The stove is secured with cable binders to the side struts of the crate. These cable binders must be removed.
  - 4) The crate is dismantled by the removal of the 4 screws which connect the bottom of the crate to the pallet.
  - 5) The loose wooden crate must be removed from the stove.
  - 6) Undo the stove from the pallet. To do so, 4 metal claws on the palette surface must be unscrewed.
  - 7) The air cushion / transport protection for the Keramott and the tension plate in the firebox must be removed.
  - 8) Immediately check the goods delivered for completeness and damage in transit.
  - 9) Check the accessory kit: glove, guide, mains cable, information sheets etc. The accessory kit is in the firebox.
  - 10) Before installing the stove, check that all movable parts are working. Any defects before the installation of the stove must be reported.

### 6.2 Storage

The stove must be stored in a dry room/warehouse. Protect against dirt, heat and moisture.

The following illustrations are attached to the crate and must be observed:



- Fragile - always place upright - protect against moisture and store dry.
- Remove and dispose of packing material in an environmentally friendly manner.
- The crate can be disposed of in the separate collection for packaging. Local disposal regulations must be observed.

## 7 Requirements at the installation location

### 7.1 Safety distances to be observed

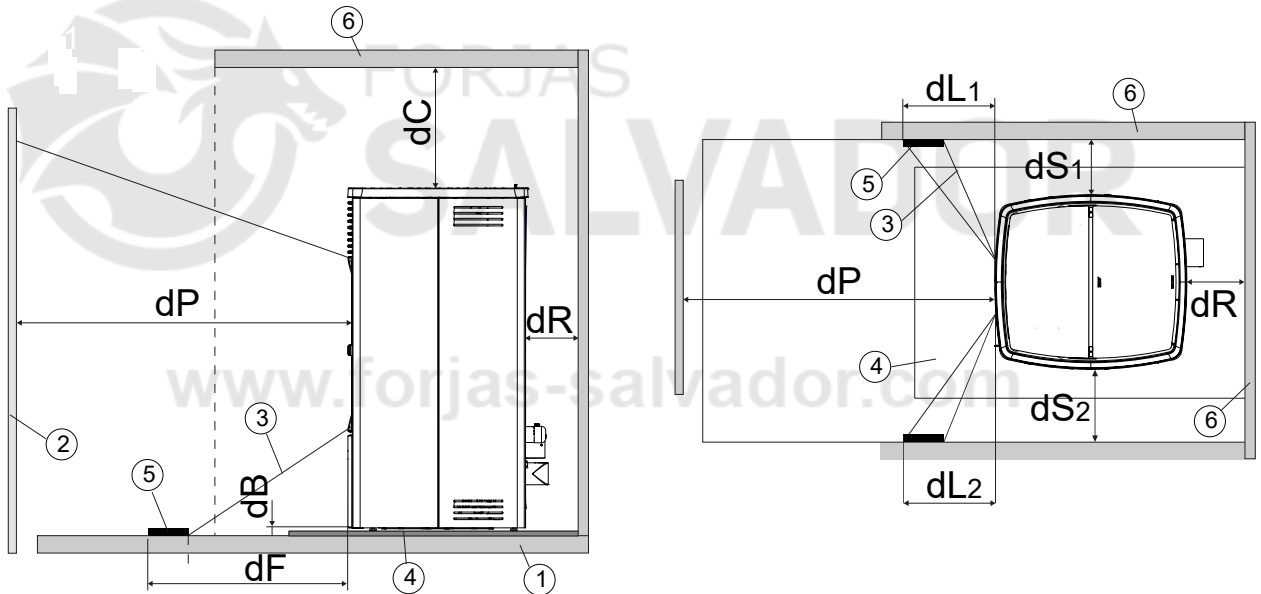
If your floor is made of a combustible material, a non-combustible material must be used as protection in the area in front of the appliance. For more detailed information, please contact an Austroflam dealer.

#### NOTICE

A floor protection plate must be used if your floor is made from a combustible material.

Safety distances for combustible objects, such as wooden furniture, upholstered furniture, sofas, etc. must be complied with. In the case of very heat-sensitive objects the distance from the stove must be increased in order to avoid damage from the heat.

Please refer to the table below for the necessary safety distances.



- |                                   |                             |
|-----------------------------------|-----------------------------|
| 1 Floor                           | 2 Fuel front                |
| 3 Irradiated area                 | 4 Floor protection plate    |
| 5 Irradiated area to be protected | 6 Fuel area front/side/back |

	Sina
dP Radiation front [mm]	1000
dS1 Distance left [mm]	250
dR Distance rear [mm]	150
dS2 Distance right [mm]	250
dB Distance bottom [mm]	0
dF Radiation to the floor [mm]	under examination
dL 1 Radiation left [mm]	under examination
dL 2 Radiation right [mm]	under examination
dC Distance above [mm]	750
Minimum distance from non-flammable materials [mm]	50



	Sina-Xtra
dP Radiation front [mm]	1000
dS1 Distance left [mm]	50
dR Distance rear [mm]	150
dS2 Distance right [mm]	50
dB Distance bottom [mm]	0
dF Radiation to the floor [mm]	under examination
dL 1 Radiation left [mm]	under examination
dL 2 Radiation right [mm]	under examination
dC Distance above [mm]	750
Minimum distance from non-flammable materials [mm]	50



FORJAS

SALVADOR

www.forjas-salvador.com

## 7.2 Combustion air

An adequate supply of combustion air must be provided during operation. With a modern very thick building shell it can happen that the combustion air supply is not guaranteed for balanced flue operation or that the draft behaviour is impaired. In this case an adequate supply of combustion air must be provided. Your Austroflamm specialist dealer will be happy to advise you.

### TIP

Ensure that combustion air openings are not closed!

## 7.3 Chimney requirements

When connecting the flue pipes to the chimney, national and/or local safety regulations must be complied with. Your Austroflamm stove is fitted at the factory with a flue pipe outlet at the top (see chapter Technical data). The connection can, as described in these instructions, be rearranged to the bottom. When connecting with other pipe diameters the approval of your responsible chimney sweep is required. The flue pipe connection and flue pipe transitions must be sealed accordingly. Your Austroflamm specialist dealer knows the guidelines and will be happy to advise you. For your own safety the connection of the flue pipe must be carried out by a technically competent person.

## 7.4 Floor load-bearing capacity

Before installing, verify whether the load-bearing capacity of the substructure can withstand the weight of your Austroflamm stove.

With regards to loading capacity, for floors with underfloor heating we refer you to your structural engineer responsible for statical calculations, builder, etc.

## 7.5 Floor condition

Austroflamm stoves can be placed directly on the floor.

The fire protection regulations for operating a wood-burning or pellet stove vary depending upon the location and appliance. We recommend you obtain this information from your chimney sweep or the specialist dealer in your area.

## 7.6 Room of installation

Note that the room in which the stove is installed must have at least one door / one window leading to the outside, or be directly connected to such a room. For balanced flue operation, other heating appliances and extractor hoods must not be operated together with this heating appliance as part of the room air system.

## 8 Fuel material/-quantity

### 8.1 Fuel

#### Wood

Many of our native types of wood can, after being appropriately dried, be burnt CO<sub>2</sub>-neutral in heat-producing appliances. Wood stands out because it grows again, can be sustainably harvested, requires little or no extra external energy to be invested in the fuel, and has a short journey from the producer to the consumer, which provides an optimal climate balance.

The most common types of wood to use in the stove are beech, yoke elm, birch, larch, spruce and pine. The most important criterion for burning in a heat-producing appliance is that the fuel has been sufficiently dried through. For this purpose the prepared pieces of firewood should be stored for at least two years. The legislator stipulates a maximum water content of 20%. That is still however a lot of water sitting in the capillaries of the wood. A piece of firewood only becomes good when its water content comes to a maximum of 12 to 13%. The differences in combustion behavior are striking and clearly detectable even by the layman.

Types of wood other than the ones referred to above are also suitable for burning. However each heat-producing appliance should be checked for how their use affects combustion behavior. Oak for example burns with a rather shorter flame and more embers. Oakwood catches fire with greater difficulty, and due to hardness of the wood it is not split as well (small) as other types of wood, which again has a negative effect on combustion behavior. It is however a good energy source, and, correctly processed, also suitable as firewood.

Softwoods (fir, pine, spruce) should if possible be mixed with hardwood. Softwoods have a higher proportion of tannin, which leads to more deposits in the heat-producing appliance, the connecting pipes and the chimney. If only softwood is burnt, this can lead more quickly to a build-up of shining soot. Mixing with hardwood (for example, beechwood) reduces this effect.

The size of your heat-producing appliance's combustion chamber will dictate whether your firewood is 25cm, 33cm or 50cm in length. 50cm pieces of firewood should preferably dry for somewhat longer (laid down for three years or more), because wood is dried out mainly by the leakage of water from the capillaries - and that simply takes time. And the path from inside to outside in a 50cm-long piece of firewood is twice as long as in a 25cm-long piece of firewood. The important thing is that the wood is well split. This means that the circumference of a piece of firewood (once all sides are measured around the cutting point) must be a maximum of 15-25cm. Pieces of wood cut to this size dry more easily - above all, however, they give the fire (the temperature) a greater attack area and thus make it easier to evolve gas and thus to burn. Also the quantity of fuel can be better measured out. Thanks to their outstanding levels of efficiency, modern heat-producing appliances require just a fraction of the amount of wood of earlier stoves. Here smaller pieces of firewood can be placed according to the manufacturer's specifications - large pieces of wood often exceed the maximum specified quantity with just a single piece.

Not everyone has a hygrometer at home for determining the water content in wood, particularly when good reliable units cost several hundred euros. However you can make a good estimate of how suitable your fuel is by carefully observing combustion behavior. A "good" wood fire will only smoke briefly in the ignition phase, hardly at all after that. It will burn with a light (yellow to orange-colored) long flame. Little residue will occur in the combustion chamber, most of it disappearing again when the fire is fully developed. Another good criterion for assessing whether a piece of firewood is suitable for combustion is its weight. Most manufacturers also specify the amount to be laid in kg/weight. Example: a piece of beechwood 33cm in length with a circumference of approx. 20cm weighs approx. 1kg when it is suitable (dry enough) for burning. Therefore 25cm in length gives approx. 750 grammes, and 50 cm in length approx. 1.5kg.

Please observe at all times the maximum specified amount to be laid, even when putting on more wood! Otherwise your fire will not provide the desired efficiency - but above all considerable damage may be caused to your appliance, to gaskets and material and to the flue gas duct.

The wood may only be burnt untreated. NEVER burn treated woods, not even wood processed with natural substances or organic glazes. Wood waste does not belong in the stove!

### Wood briquettes

Many people like wood briquettes as a fuel because they require less storage space than wood, can be stocked or sold in small quantities and - at least at first glance - make less work than wood. Within the scope of production, the quality of briquettes is consistent. Wood briquettes do not need to be stored for a long time to be dried out. Due to the raw material (unrefined chips) and the production process they have an already defined residual moisture.

If wood briquettes are designated as a suitable fuel, then this still only applies to this fuel, NOT for coal-, paper-, bark- or other pressed items, such as pellets.

In spite of various standardizations and many advertising promises, there are also considerable differences in quality in wood briquettes. But even with good fuel quality, combustion behavior is different from that of unrefined log. And not every wood briquette burns equally well in every stove. Before you decide on a particular variety and perhaps even store this up in larger quantities, you should extensively test the wood briquettes under various draft conditions. Most suppliers keep "test packages" for this purpose that can be purchased at preferential prices to test out and compare with one another the various types offered.

### TIP

When burning wood briquettes, the maximum quantity specified in these instructions must also be observed. The quantity must not be exceeded.

As the wood is pressed and thus has little spatial volume for the same weight, modern heat-producing appliances with a low placement quantity often have "little fire heaps" occur, leading one to wonder whether a fire can burn at all with so little fuel. Nevertheless you must never exceed the maximum placement, because that would cause damage. Many wood briquettes change during the temperature increase when burning, by "opening up". This should not worry you as it is normal. When inserting wood briquettes make sure that this expansion as far as possible does not press not in the direction of the window, as otherwise this will get very dirty.

In principle you should not insert wood briquettes as one piece, but rather break them at the layer thicknesses, which are usually visible in slices, and place smaller pieces in the combustion chamber, not in an interlocking manner, but randomly. This way you will ensure that the combustion air reaches more burning material and flows around it better. Wood briquettes require a stronger air current, an expert eye and perhaps a bit more patience, until you get the knack of it. Since less volume is available (although the same mass, it takes less space up), the fire is generally smaller and does not burn so high and vivaciously as when burning log. When wood briquettes alone are burnt, this therefore generally leads to haziness in the combustion chamber, as well as on the stove window. Not all areas of the combustion chamber have the same temperature applied to them as when unrefined wood is burnt, which is why these deposits occur. It may be that with one variety of wood briquettes more deposits occur, whereas with another variety none at all. This suggests trying out various varieties to determine the suitable fuel for your heat-producing appliance. If you would really like to use wood briquettes, but don't get on quite well with them, then it may also help to mix the fuel. That means: Burn wood briquettes and unrefined log in the mixture ratio that achieves a good burning result for your heat-producing appliance.

Wood briquettes must also be stored dry. In general it can be said that pressed items with a hole in the middle usually burn better. Soft wood briquettes are to be preferred and are often more suitable than hard wood briquettes.

### Approved fuel

Dry, properly stored, unrefined log (preferably hard wood) is permitted as fuel for our hybrid stoves

Round wood must be split at least once so that it lights better. The diameter of the split piece of wood must not exceed 7 cm.

### Explosive substances

It is strictly forbidden to burn or introduce highly flammable or explosive substances (empty aerosols and the like) into the firebox or to store them in the immediate vicinity of your stove. Risk of explosion!

### Fuel

Only burn the recommended fuel.

### Clean combustion

The firewood must be dry (rel. wood moisture < 15 %) and untreated. Furthermore the correct quantity of firewood must be burnt in order to achieve a clean, low-emission combustion.

## 8.2 Fuel quantity

### Maximum fuel quantity

Your Austroflamm stove is designed for maximum efficiency: see Technical Data section. Too great a quantity of fuel can lead to overheating and damage to your Austroflamm stove!

Maximum amount of fuel to be deposited: Sina and Sina Xtra: 1.7 kg logs

### NOTICE

#### Overheating

Too great a quantity of fuel can lead to overheating and damage to your Austroflamm stove

### NOTICE

To avoid damage you must **NEVER** operate your Stove a greater quantity of fuel than that specified in this manual!

## 9 Installation

Installation must only be carried out by an authorized specialist company.

Before installing the stove, check that all movable parts are working. Any defects must be reported before the installation.

In the following sections we will give you information on

- the integration or attachment of appliance parts,
- the rearrangement of the flue pipe connection
- The connection of the combustion air supply, and on
- other important facts relating to the installation.

The protective equipment and tools listed are required for the following work steps

Type of protective equipment	
	Safety gloves
	Safety shoes

Work equipment	Activity
Insulated tools	In order not to damage or scratch the varnish, no sharp objects or tools should be used. Instead <b>insulated tools</b> are used by preference when assembling and disassembling stove parts.
Torx wrench set	Various installation jobs
Allen key set	Various installation jobs
Fork wrench set	Various installation jobs

## 9.1 Execution

### 9.1.1 Mounting the side cladding

- 1) If necessary the cover must first be detached and the side cladding removed. Proceed as described in the section Removing the side cladding [▶ on page 54].
- 2) Fix side cladding to the mounting at the top with two M5/ TX25 screws (M5/TX25).

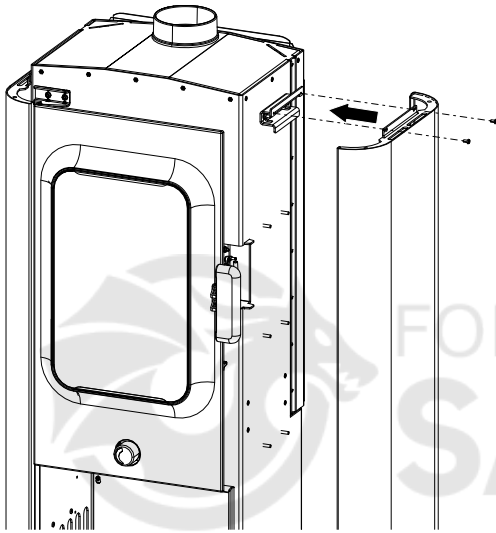


Fig. 7: Fixing side cladding to mounting

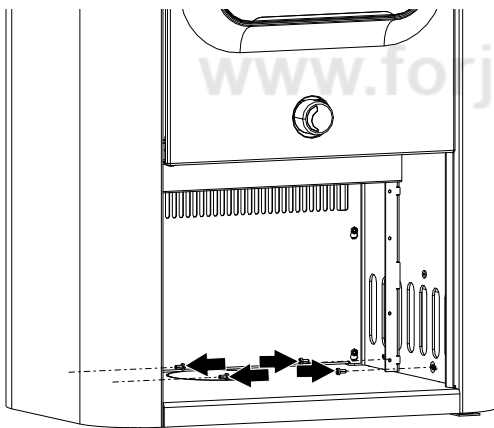


Fig. 8: Fixing side cladding inside below

- 3) Fix steel side cladding below from inside with two screws (M5/TX25).

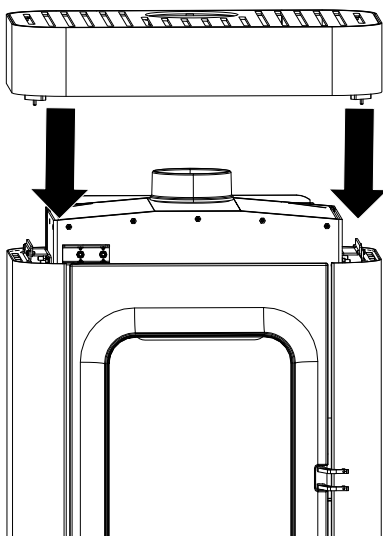


Fig. 9: Attaching the cover

- 4) Attach cover.
- ⇒ Side cladding is mounted.

### 9.1.2 Rearranging the flue pipe connection

- 1) If necessary the cover must first be detached and the side cladding removed. Proceed as described in the section Removing the side cladding [▶ on page 54].
- 2) Loosen the four screws (M5/TX25) of the rear panel and remove the rear panel.
- 3) Using a saw, remove the perforated cut-outs in the rear panel and heat shield.

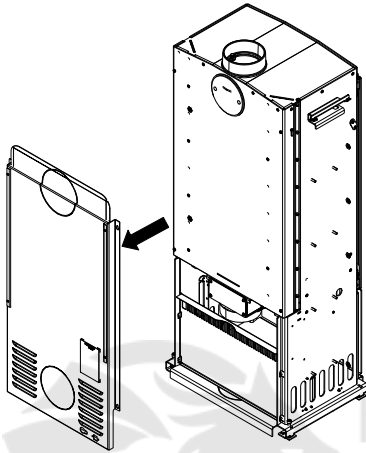


Fig. 10: Removing the rear panel

- 4) Remove the cover incl. seal on the rear (M6/TX30).
- 5) Remove flue pipe bracket (M6/SW10) incl. seal.

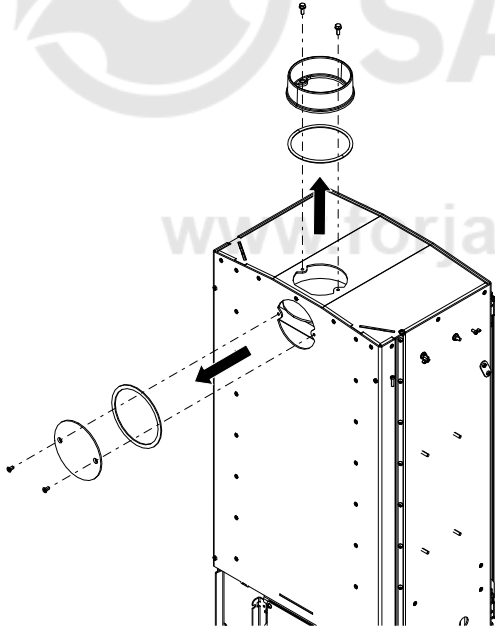


Fig. 11: Remove cover and bracket

6) Replace parts and reinstall.

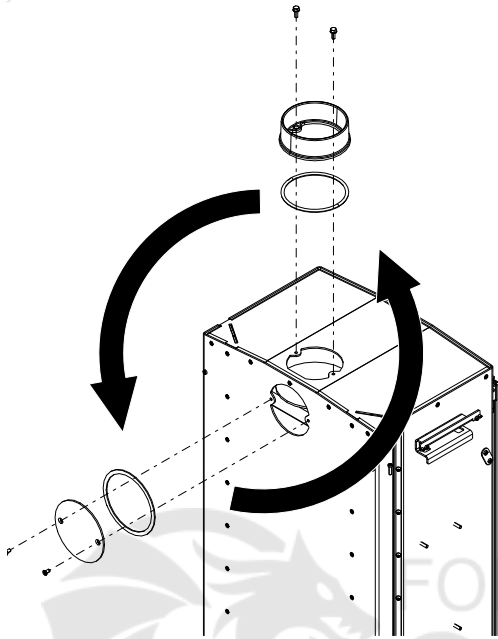


Fig. 12: Replacing cover and bracket

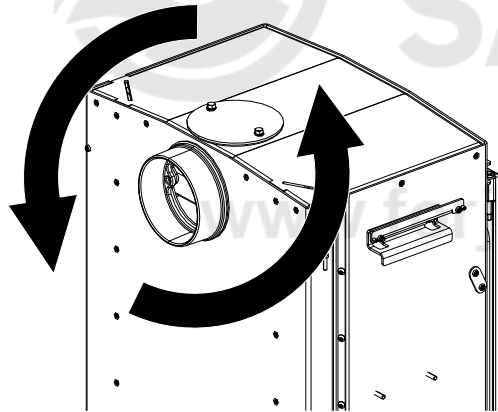


Fig. 13: Cover and bracket replaced

7) Remount side cladding and rear panel and attach cover.

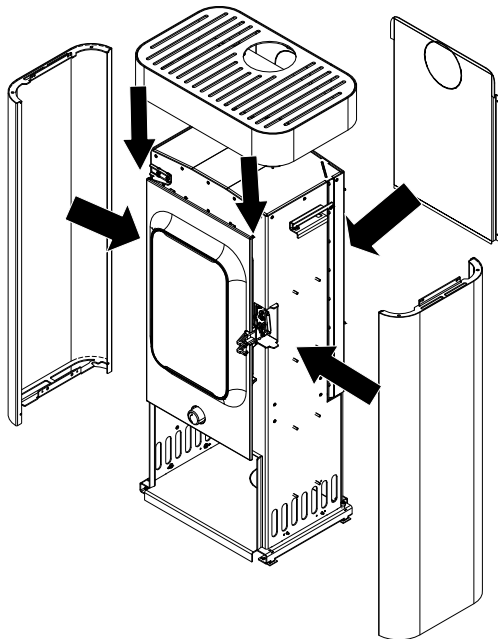


Fig. 14: Mounting side cladding, rear panel and cover

### 9.1.3 Installing external air connection at the rear

- 1) If necessary the cover must first be detached and the side cladding removed. Proceed as described in the section Removing the side cladding [▶ on page 54].
- 2) Open door.
- 3) Loosen the screw joint (M5/TX25) of the rear cover and remove cover to the rear.

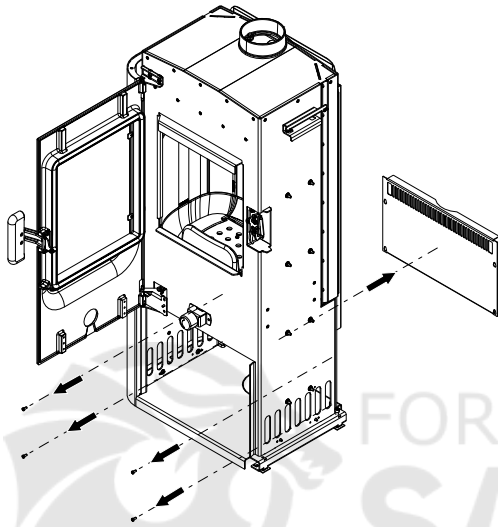


Fig. 15: removing rear cover

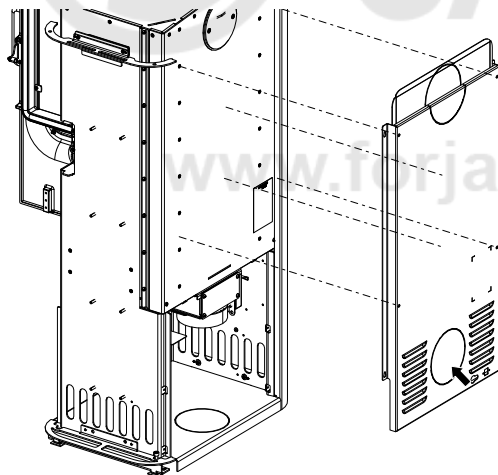


Fig. 16: Dismounting the rear panel and removing the perforated cut-out

- 4) Loosen the four screws (M5/TX25) of the rear panel and remove the rear panel.
- 5) Using a saw, remove the perforated cut-out in the rear panel.

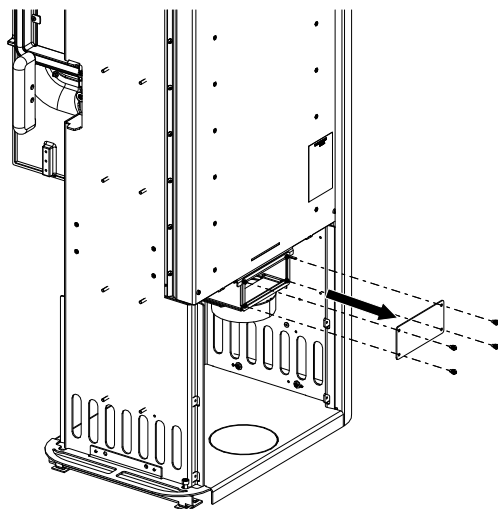


Fig. 17: dismounting the rear cover

- 6) Dismounting the rear cover

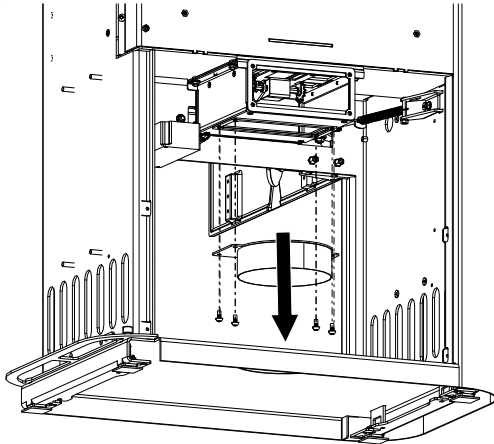


Fig. 18: Removing the supply air flange at the bottom

7) Remove supply air flange.

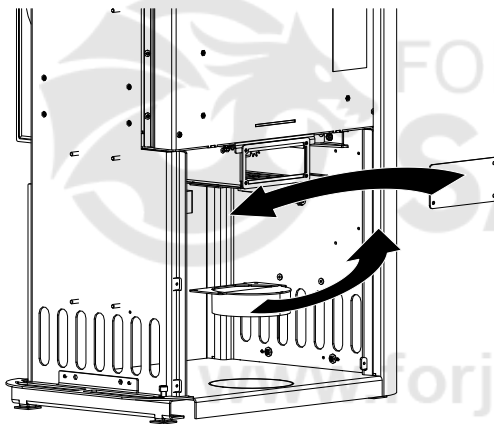


Fig. 19: Changing the supply air flange and cover

8) Change supply air flange and cover.

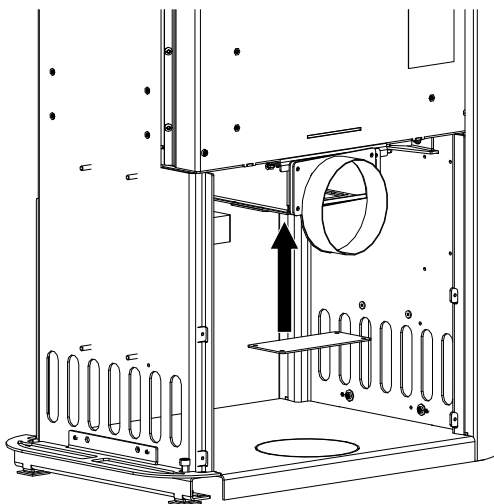


Fig. 20: Air connection rear

9) Mount the supply air flange in place of the cover and vice-versa.

10) After supply air flange and cover have been removed, the side cladding can be remounted and the top cover attached.

### 9.1.4 Installing AIR+ controls (optional)

Installation of AIR+ controls has been displayed using a stove and must be carried out in exactly the same way for all models.

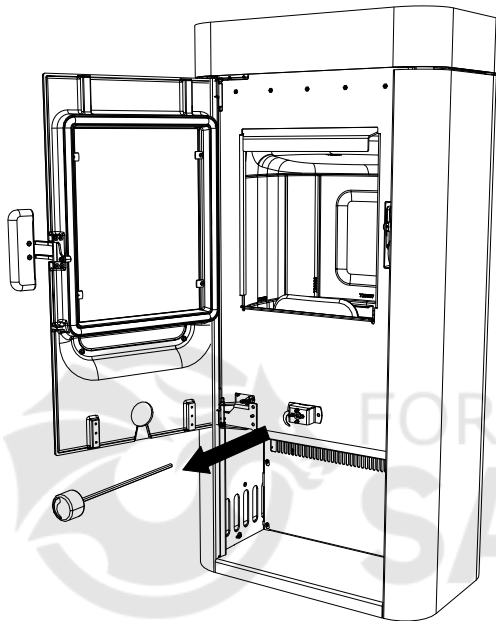


Fig. 21: Remove rotary control unit

✓ Not all the parts included in the scope of delivery of the AIR+ controls are required on your Austroflamm stove. To install the AIR+ control, please proceed as follows:

- 1) Open door.
- 2) Loosen the two nuts (M5/SW8) from inside and pull out rotary controller inc. support to the front.

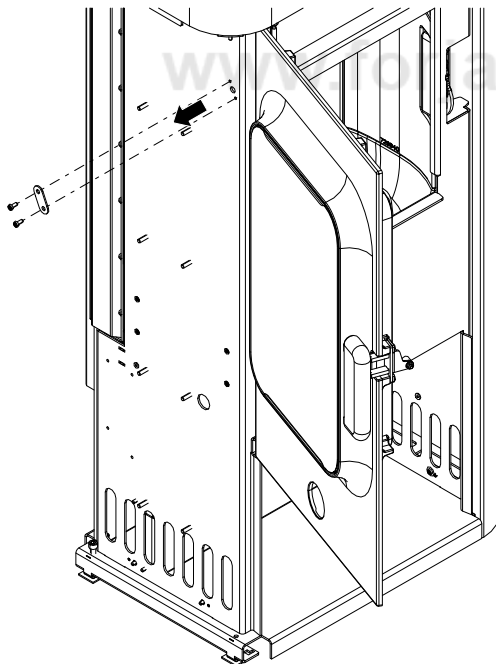


Fig. 22: Removing the cover plate

- 3) In order to install the firebox temperature sensor, first the cover and the left side cladding must be removed. Proceed as in the section Removing side cladding [▶ on page 54].
- 4) Remove the cover plate in the top left area.

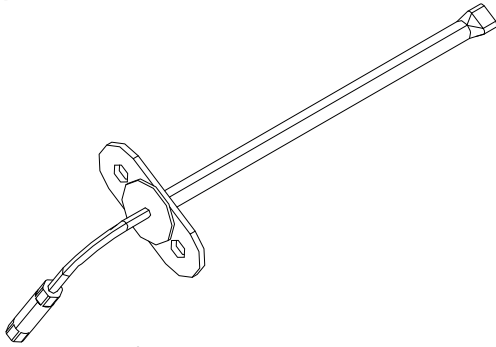


Fig. 23: Firebox temperature sensor

- 5) In place of the cover plate a sensor tube with the firebox temperature sensor can now be inserted and fixed with the two screws (M5/TX25).

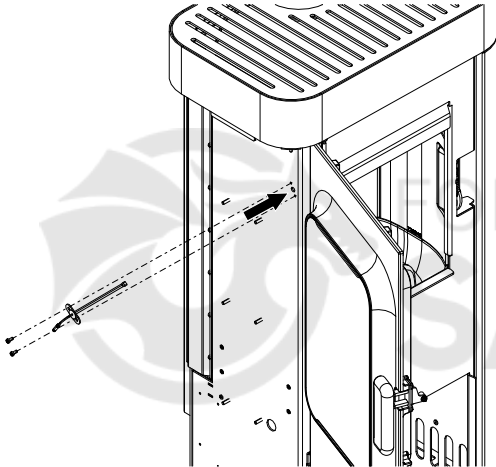


Fig. 24: Attaching the firebox temperature sensor

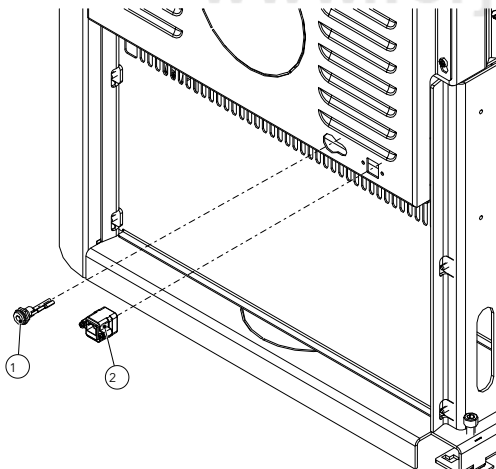
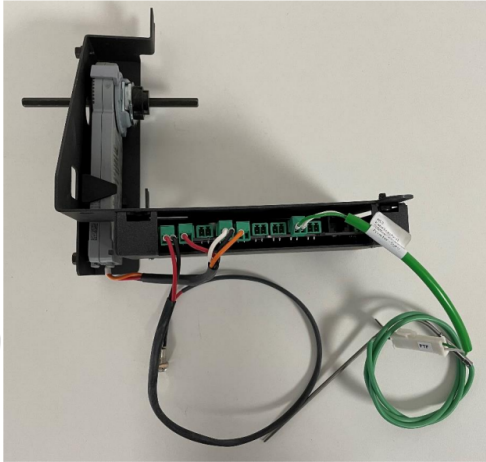
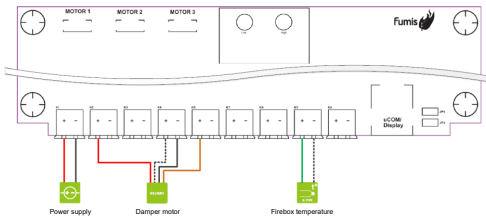


Fig. 25: Installing the DC socket and network socket

- 6) Guide the electricity cable with the DC socket (1) through the rear panel and fix it.
- 7) Guide the network socket (2) through the rear panel and fasten it.



- 8) Make sure that all the components are correctly connected.
- 9) Plug the mains cable plug into the electrical point. Test the air control system and set the minimum and maximum motor position - calibration process.
- 10) Wait approximately three minutes after the plug has been plugged in and then check whether the air control system (rotary knob) has fully opened and closed by itself again after these three minutes have expired.
- 11) The air control system (rotary knob) should be completely closed again after the calibration process.
- 12) The air control system (rotary knob) did not completely open and close during these three minutes. Therefore check the following:
  - Plug correctly connected to the mains.
  - Air control system is functioning. Any LED display lights are flashing.
  - All components are correctly connected: check whether all connectors are correctly connected.
  - Is the temperature scale in the combustion chamber above the ambient temperature? If the stove is warm due to a previous firing process or if the stove is just warming up, this will be detected by the air control system. Therefore the calibration process will be prevented and the air control system will switch straight to combustion phase 1.
  - Check the rotary knob. It should be capable of being turned against a slight resistance. Otherwise the rotary knob and all connected components must be checked. Despite the automatic air control system the position of the damper doors can be manually adjusted.
- 13) Install the cover.
- 14) Reinstall the rotary control unit with rod.

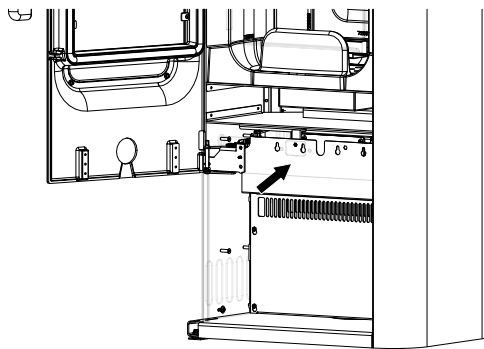


Fig. 26: Mounting the cover

### 9.1.5 Installing HMS (optional)

To avoid cuts and injuries, when installing the bricks, wear safety gloves.



- 1) If necessary the cover must first be detached and the side cladding removed. Proceed as described in the section Removing the side cladding [▶ on page 54].

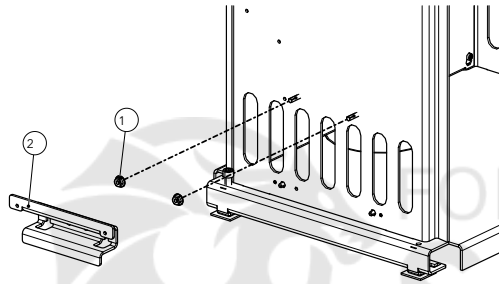


Fig. 27: Installing the mounting

#### TIP

It is absolutely vital to start with the left-hand side. Otherwise the stove may tip over!

- ✓ Install the HMS bricks, always starting on the left side from bottom to top.
- 2) Place two nuts (1) on the grub screws in the body.
  - 3) After that the mounting (2) can be placed on the grub screws from above and the nuts (1) can be tightened.
  - 4) Now place the first (lowest) HMS brick on the mount and then set the next mount on the grub screws.

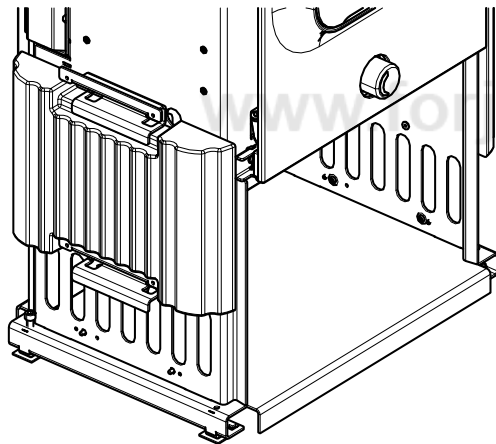


Fig. 28: Placing brick on mounting

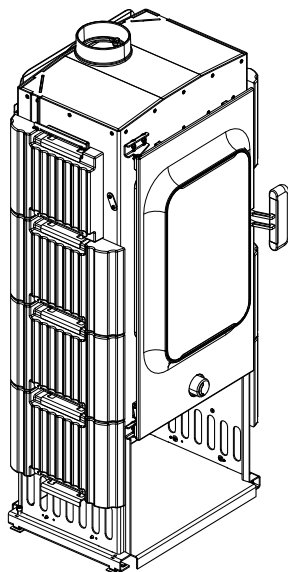


Fig. 29: Bricks installed on the left

- 5) Proceed as in steps 2, 3 and 4 for the remaining bricks and install them.
  - ⇒ Note that the top brick is narrower than the remaining bricks.

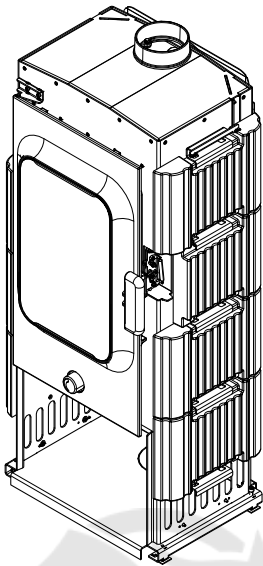


Fig. 30: Bricks installed on the right

- 6) Repeat the steps on the right side and install the bricks from bottom to top.
  - ⇒ Note that the third brick from bottom is narrower than the remaining bricks.

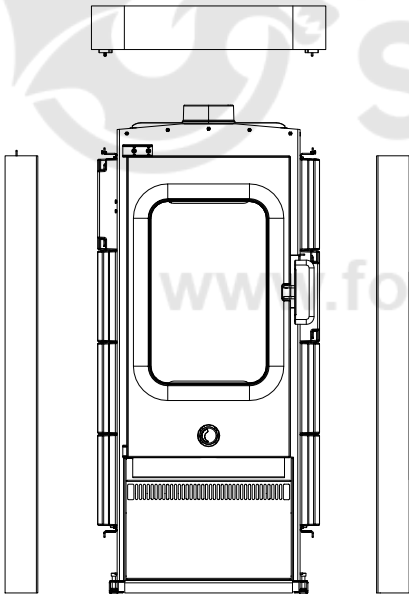


Fig. 31: HMS installed

- 7) Remount the side cladding and fasten all screws.
- 8) Reattach cover.
  - ⇒ HMS is fully installed.

### 9.1.6 Installing Xtra (optional)

#### TIP

It is absolutely vital to start with the left-hand side. Otherwise the stove may tip over!

Install the XTRA bricks, always starting on the left side from bottom to top.

- 1) If necessary the cover must first be detached and the side cladding removed. Proceed as described in the section Removing the side cladding [▶ on page 54].
- 2) To install the XTRA bricks, proceed as described in the section Installing HMS [▶ on page 36].
- 3) Remount side cladding and attach cover.  
⇒ Xtra installed.

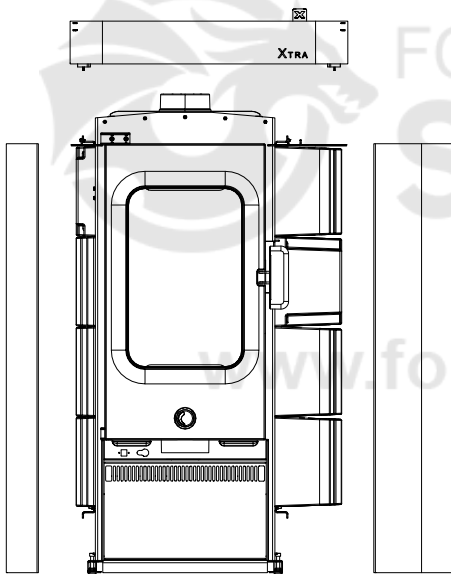


Fig. 32: Xtra installed

### 9.1.7 Installing base door (optional)

- 1) Open door.

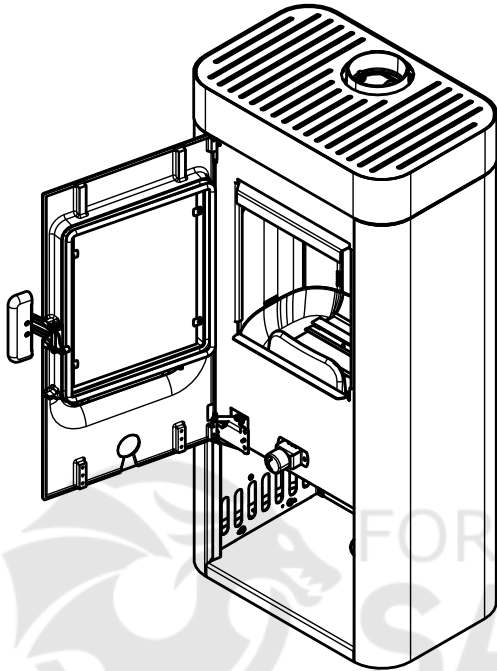


Fig. 33: Open door.

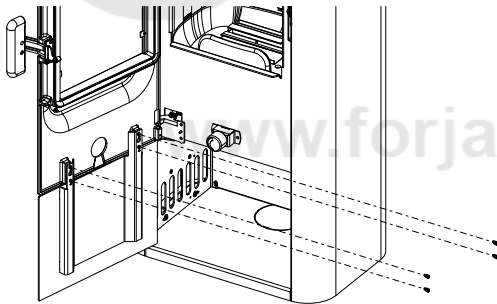


Fig. 34: Installing base door

- 2) Loosely screw in the four screws.
  - 3) Insert grub screws below the screws into the holes provided and align door.
  - 4) Tighten screws.
- ⇒ Base door is installed.

### 9.1.8 Installing raceway panel (optional)

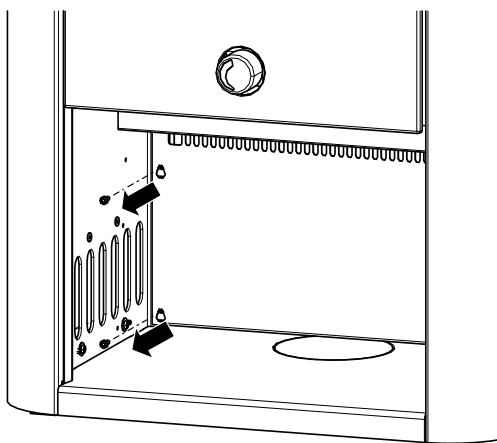
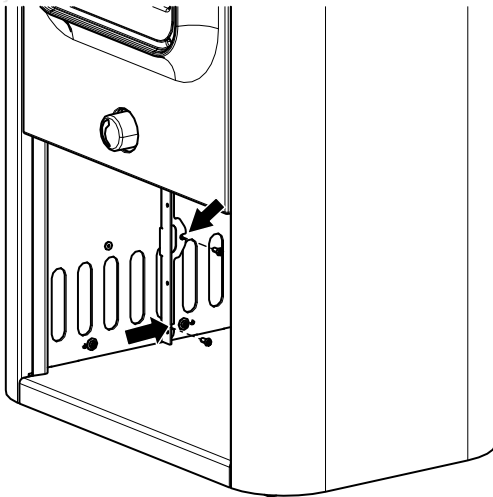


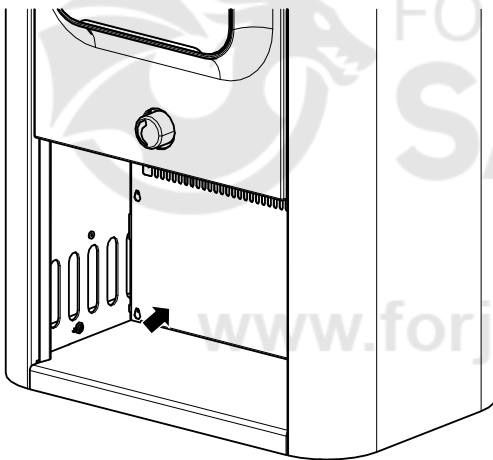
Fig. 35: Removing the raceway panel

- 1) Open the door.
- 2) Loosen the raceway panel screws from inside and remove the raceway panel.



- 3) From inside install the mountings for the raceway panel (left and right) as shown.

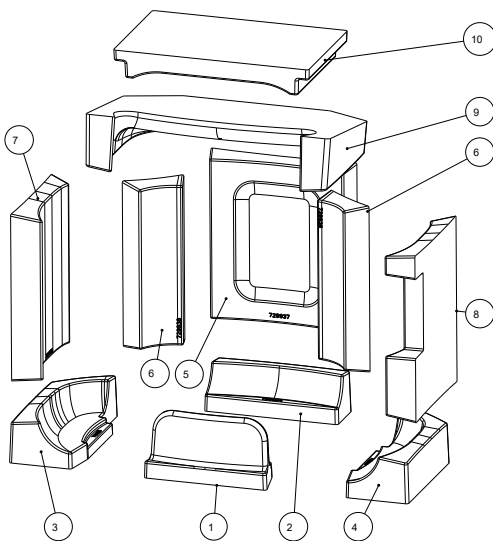
Fig. 36: Installing the raceway panel mounting



- 4) Now mount the raceway panel on to the mounting from the front.

Fig. 37: Mounting raceway panel on to mounting

### 9.1.9 Installing Keramott



- 1) Numbering = installation sequence

Fig. 38: Keramott installation sequence

## 10 Settings

### 10.1 Aligning the stove

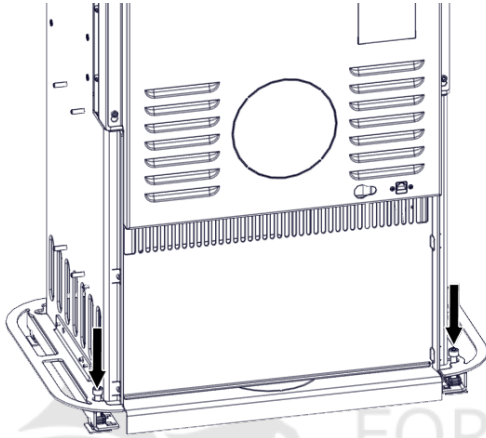


Fig. 39: Aligning the stove

- 1) First the cover and the side cladding must be detached.
  - ⇒ Proceed as described in the section Removing the side cladding.
- 2) There are two screws on the back of the stove. These can be used to align the stove.
  - ⇒ When doing so take note of the type of floor. Should the floor under the stove be made of tiles, wood, laminate etc., the floor can be damaged.

### 10.2 Adjusting the door

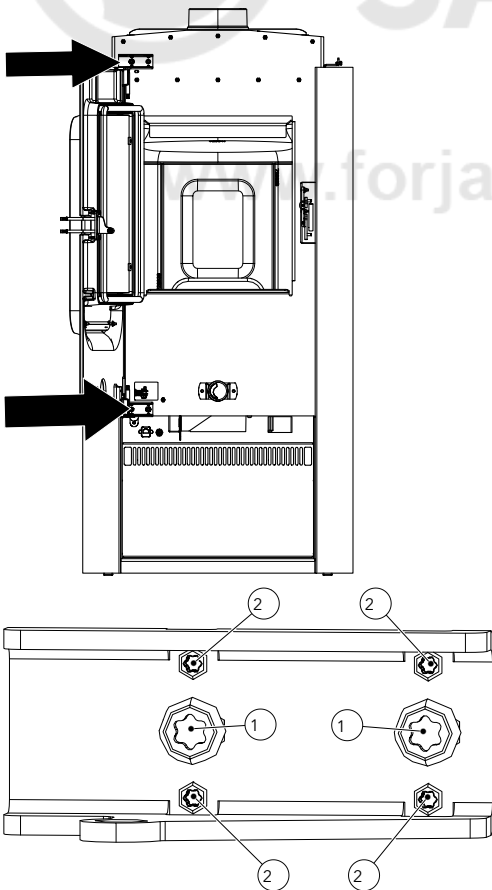


Fig. 40: Door adjustment screws

- 1) Open the door.
- 2) The door can be adjusted on the screws.
  - ⇒ Using the screws (1) the door can be adjusted up, down, left and right.
  - ⇒ Using the grub screws (2) the door can be adjusted in and out.

### 10.3 Adjusting the door lock

- 1) Open door.

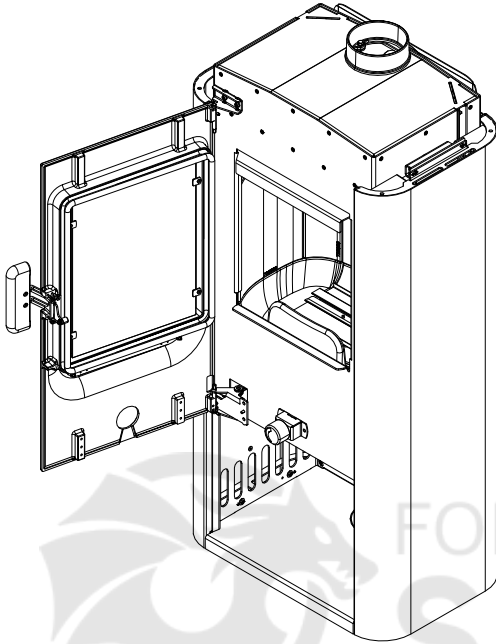


Fig. 41: Open door.

- 2) Using the marked screws the door lock can be adjusted upwards, downwards, forwards and backwards.

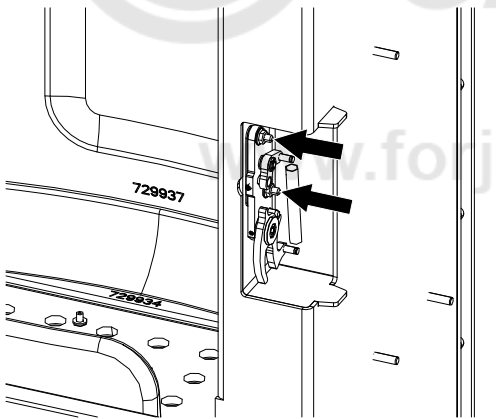


Fig. 42: Adjusting the door lock

## 11 Commissioning

### 11.1 Initial Commissioning

#### NOTICE

During the initial commissioning and in the following 2-3 combustion cycles, only approx. 2/3 of the maximum fuel quantity is to be used.

#### NOTICE

To avoid damage you must **NEVER** operate your Stove a greater quantity of fuel than that specified in this manual!

During the first 3-4 combustion cycles at nominal heat output, odors may develop. The odors are caused by the evaporation of sheet metal greases and binding agents from the varnishing. Although unpleasant, these fumes are completely non-toxic. We therefore recommend that you well ventilate the room for the first few fires.

- 1) Remove all enclosed documents and appliance parts from the fireplace.
- 2) Read the operating manual through carefully before the initial commissioning.
  - ⇒ For optimally lighting we refer you to the section Making fire correctly.

#### Removing the ash box cover

Before the stove is operated for the first time, it is absolutely vital to remove the cover of the ash box from the stove.

Proceed as follows: (for a better understanding, see also steps 1 and 2 in the section Emptying the ash box [▶on page 47])

- 1) Open door.
- 2) Raise the grate with the hook supplied with the stove.
- 3) Take off the cover and lift it up.
  - ⇒ Cover is inserted incorrectly when delivered.
  - ⇒ You need the cover when you empty the ash box.
  - ⇒ To empty the ash box we refer you to the section Emptying the ash box [▶on page 47].

## 12 Operation

### 12.1 Before heating up

The stove can only function properly if there is sufficient combustion air coming to the room of installation (the appliance), specially if several firing installations are being operated at the same time. Ensure sufficient air supply before heating up. Open the combustion air flap on the stove and keep it open for the entire combustion period.

Devices for the supply of combustion air must not be modified.

### 12.2 Making fire correctly

To ensure the stove operates correctly and safely, it is important that the chimney generates the required draft. This must be checked in particular for each initial commissioning (e.g. after summertime) and in the transitional periods (e.g. when the wind is strong). If there is insufficient required draft, then paper or softwood chips can first be burnt in order to bring stove and chimney flue to temperature.

The air inlet of the stove must not be closed.

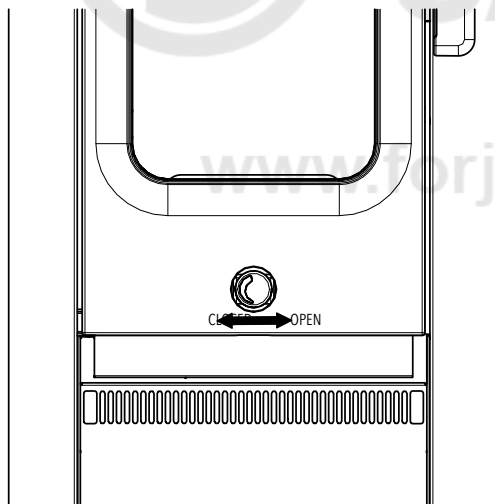


Fig. 43: Air damper



Fig. 44: Before kindling

- 1) Clean grate.
- 2) If necessary empty ash box/ash pan (beware of embers).
- 3) Fully open the sliding gate for the combustion air.  
⇒ Position "UP"

- 4) Lay 2-3 pieces of log (1) (beech, oak, birch) across the bottom of the firebox.
- 5) Finely split softwood above it (2).
- 6) Place a firelighter (3) in the middle and light it.  
⇒ Never use petrol, spirit or similar for ignition!

1	Log
2	Softwood
3	Firelighter



Fig. 45: Flame pattern

- 7) Close the door.
  - ⇒ It is best to allow the first layer of wood to combust without altering the air damper setting.
  - ⇒ If only the bed of embers is left (no more flames), you can place another layer of log.
- 8) When stoking up, proceed as for heating up:
  - ⇒ Open combustion air supply.
  - ⇒ Carefully open stove door.
  - ⇒ Put wood on.
  - ⇒ Close door.
- 9) As soon as the pieces of firewood are burning well all around (light, high flames), you can control the air supply with the controller.
  - ⇒ Control at maximum setting = maximum heat output
  - ⇒ the flames should always burn yellow and never blue or with black flame tips (otherwise feed more air in).
    - blue = too much air
    - black = too little air
  - ⇒ During combustion do not totally close the air supply (danger of deflagration!).

### 12.3 Heating in the transition period

In the transition period, i.e. during high external temperatures, a sudden temperature rise can disrupt the chimney draft so that the fuel gases are not completely drawn off. In this case the appliance must be filled with smaller quantities of fuel and operated with the air damper/-controller on a higher setting so that the available fuel combusts more quickly (with a flame developing) and the chimney draft stabilized as a result.

#### TIP

To prevent resistance in the firebed, the ashes should be removed more frequently.

## 13 Maintenance

Have the maintenance carried out by an Austroflamm dealer or an Austroflamm service engineer.



[www.forjas-salvador.com](http://www.forjas-salvador.com)

## 14 Cleaning

### 14.1 Cleaning the stove, flue gas ducts and flue pipe

The stove, the flue gas ducts and flues should be annually - possible even more often, e.g.

- after the chimney has been cleaned
- checked for deposits and
- cleaned as necessary.

#### TIP

The chimney must likewise be regularly cleaned by the chimney sweeper. Your master chimney sweep will inform you of the necessary intervals. The stove should be inspected annually by a specialist

#### NOTICE

Carry out any cleaning work while the stove is in the cold state.

### 14.2 Cleaning flue gas paths

- 1) Remove chimney pipes.
- 2) Brush or vacuum soot and dust in the stove and chimney pipes
- 3) Open the door.
- 4) Remove the upper Keramott and clean and vacuum the flue gas passages from the inside.

### 14.3 Emptying the ash box

#### NOTICE

Be aware when emptying the ash box that there might be embers in the ash box. Only remove the ash box when the stove is in the cold state.

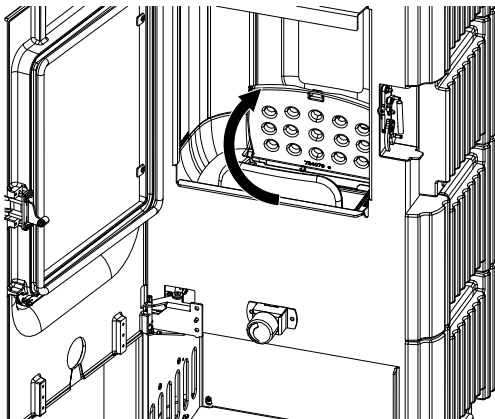


Fig. 46: Raising the grate

- 1) Open door.
- 2) Raise the grate with the attached hook.

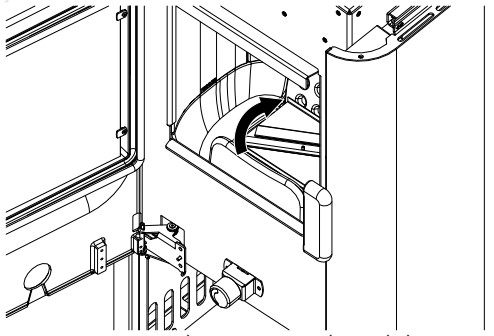


Fig. 47: Putting the cover on the ash box

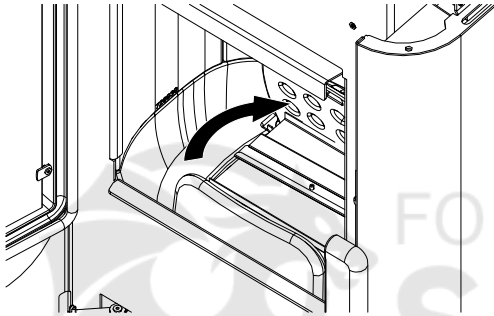


Fig. 48: Engaging the cover

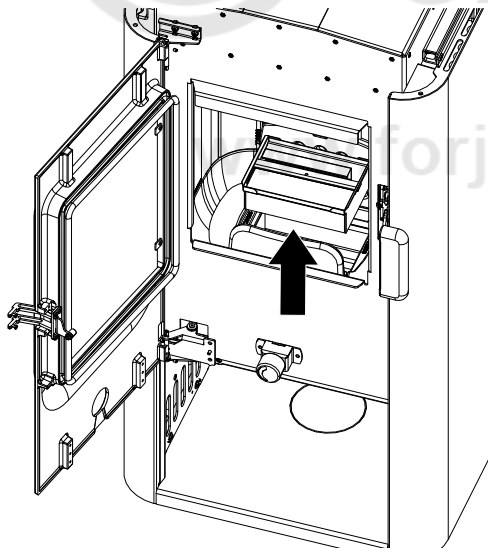


Fig. 49: Removing and emptying the ash box

- 3) Take the supplied cover and use it to cover the ash box.
- 4) Turn the handle of the cover clockwise until the handle engages.

- 5) Remove the ash box from the stove and empty it.
- 6) Reinsert the ash box after emptying it.
- 7) Turn the handle of the cover anticlockwise.
- 8) Take the cover off the ash box.
- 9) Close the grate again.



## 14.4 Cleaning the door window

Spray window with glass cleaner and leave it for a moment to take effect.

- We recommend cleaning the glass with our Austroflamm glass cleaner or a commercially available window cleaner.
- Prevent door- or window seals from coming into contact with water or cleaner, since these will otherwise harden and in doing so lose their function. Only intact seals ensure that your stove functions flawlessly.

## 14.5 Cleaning surfaces

- Varnished surfaces may only be cleaned with a soft cloth (if necessary damp).
- Soak up dissolved dirt with absorbent cloths or household paper.
- For stainless steel surfaces there are also special cleaners.



www.forjas-salvador.com



## 15 Help

Problem	Cause	Solution
The glass window is sooty	Insufficient draft	from time to time (depending on use) the window must be cleaned with glass cleaner Clarification with chimney sweeper (poss extend chimney/measure draft)
	incorrect operation of the air regulator	It is imperative that the air regulator is operated in accordance with the instructions (if secondary air is closed too far, the glass pane will become sooty very quickly)
	excessively large pieces of log log too damp	Comply with quantity and size according to the instructions
	Operating temperature has not been reached	Use more fuel, dry wood (< 15 % residual moisture), pay attention to air regulation
The chimney is too small	The chimney draft is insufficient	Ask your chimney sweep to carry out a draft measurement
	Exhaust ducts and combustion chamber sooted up	Use more fuel, dry wood (< 15 % residual moisture), pay attention to air regulation
The stove emits a strong odor and smokes externally	Stove-enameling phase of the varnish	During the first heating cycles, the varnish hardens and smells in the process
	The stove surface is dusty/soiled	Keep the surfaces of the stove clean Keep the floor area clean around the stove
Flue gas escapes when stoking up and during the heating phase	Chimney draft too low, flue pipe connection leaky	Check connection points and if necessary reseal Check chimney draft
	Door opened before combusted down to embers	Only stoke up when only embers are present (no more visible flames)
The fire is too weak and/or goes out	Air regulator closed (-)	Air regulator open (+)
	Wood too damp	Are you using dry wood (< 15 % residual moisture)?
	External temperature too high (>15 °C)	
The room is not warm enough	Convection air grille closed	Open convection air grille
	Chimney draft too high	Clarification with chimney sweeper (poss shorten chimney/measure draft)
The fire burns down too quickly and uncontrollably	Air regulator open (+)	Throttle combustion air supply after the operating temperature has been reached in the firebox (+ / -)
	Seals worn	Check whether the seals on the inside of the door are continuous and in working order, if necessary replace
	Firebox door not closed properly	Close the firebox door
	Chimney draft too high	Clarification with chimney sweeper (poss shorten chimney/measure draft)
Ceramic windows become sooty very quickly	Unsuitable wood used	Use dry unrefined wood. See information about this in the Fuel section



Problem	Cause	Solution
	Operating temperature not reached	Bring stove to the operating temperature
		Sooting up of the window after 8- 10 hours of fires is normal
	Chimney draft too low	Contact chimney sweep

### 15.1 Firebox lining

The lining of your stove consists of Keramott, a high-quality material with special combustion properties and an attractive appearance. During or after operation this lining may have superficial hairline cracks, which do not however affect functioning. Replacement of such parts is not required!

### 15.2 What to do in the event of a chimney fire

If fuel used is incorrect or too moist, then due to deposits in the chimney this may lead to a chimney fire.

- 1) Call the fire department and the district master chimney sweep!
- 2) Close the combustion air.
- 3) Enable access to the cleaning openings (e.g. basement and attic).
- 4) Remove all flammable material from the chimney.
- 5) Inform your district master chimney sweeper before recommissioning of your stove and have your chimney checked for any damage.

### 15.3 What to do in the event of faults

Should faults occur, your dealer will require the following details:

- Serial number and appliance model as per the nameplate
- Original invoice (date of sale).



## 16 Accessories

Have defective parts (accessories, spare parts) replaced by your specialist stove dealer. This guarantees that stove is and remains safe and functional.

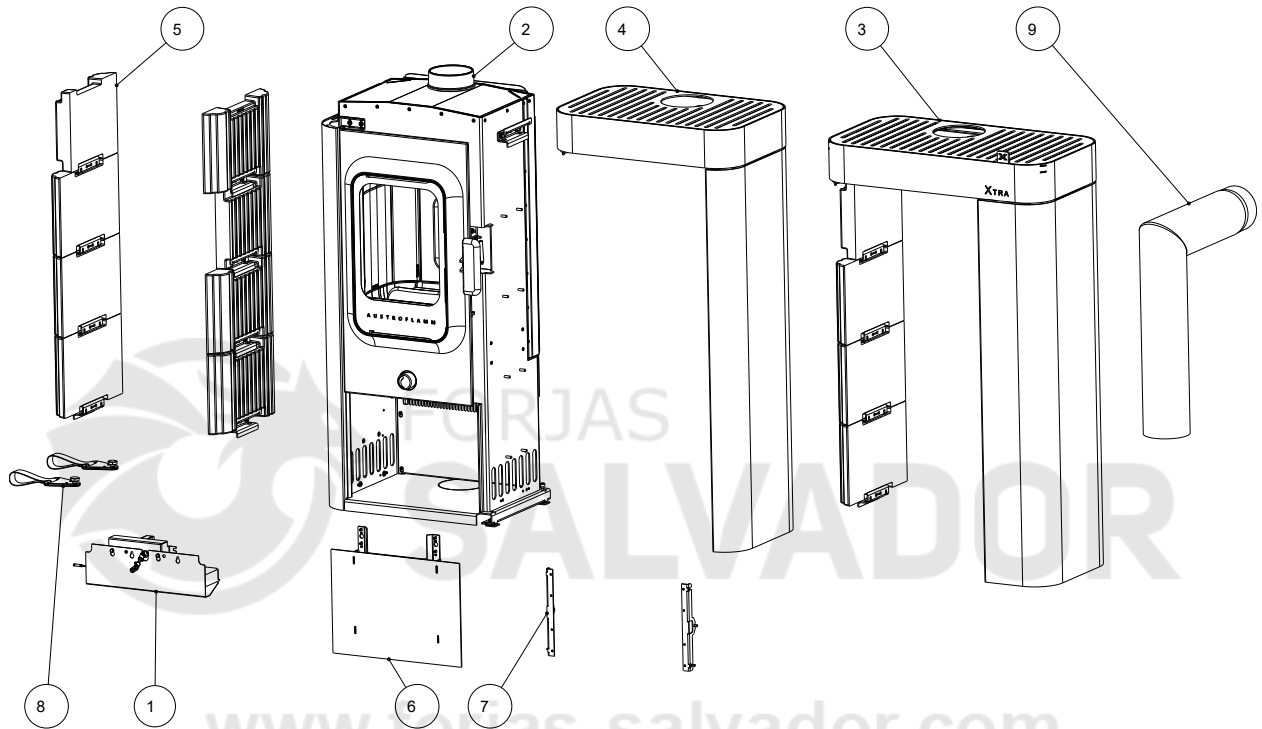


Fig. 50: Accessories

Item no.	Quantity	Item	Item no.
1	1	AIR+	076003
2	1	Basic appliance	084001
3	1	Xtra	084002
4	1	Steel cladding	084003
5	1	Heat Memory System (HMS) complete	084004
6	1	Base door	084005
7	1	Cover panel	084006
8	4	Transport aid complete	361224
9	1	Elbow pieces 130 - set	620066



## 17 Spare parts

Spare parts can be ordered through our dealers.

For ordering spare parts, it is necessary to provide the type plate picture or data from the type plate of your stove. This guarantees proper spare parts for your specific stove.

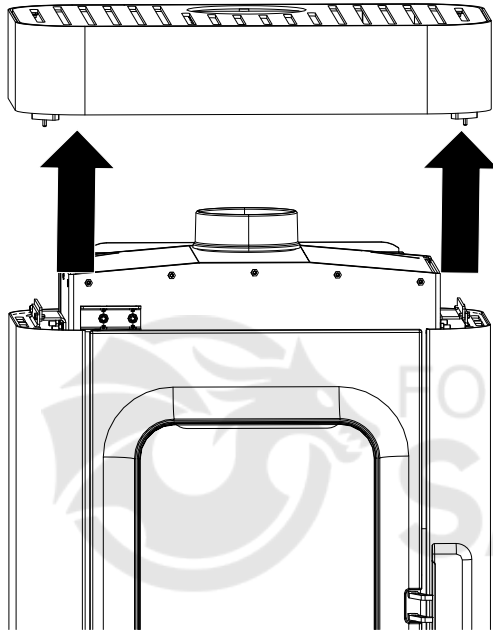


[www.forjas-salvador.com](http://www.forjas-salvador.com)

## 18 Dismantling

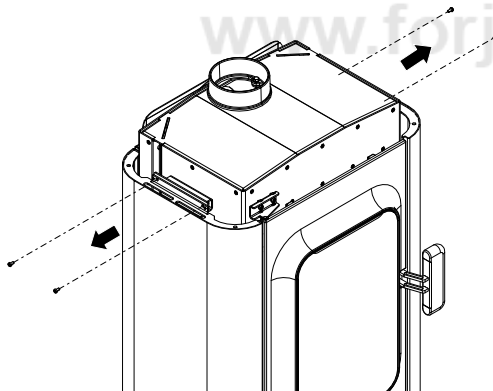
For correct uninstallation and dismantling of the stove, contact your Austroflamm specialist dealer.

### 18.1 Removing side cladding



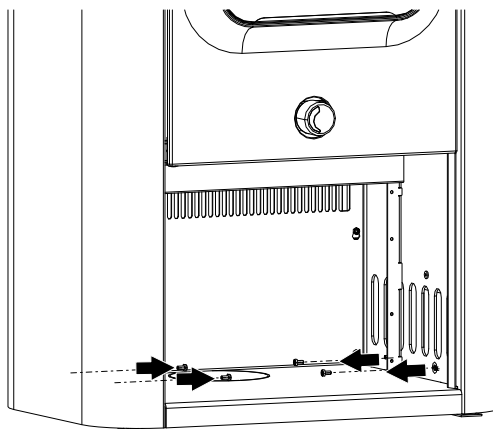
- 1) Detach cover (if mounted).

Fig. 51: Detaching the cover



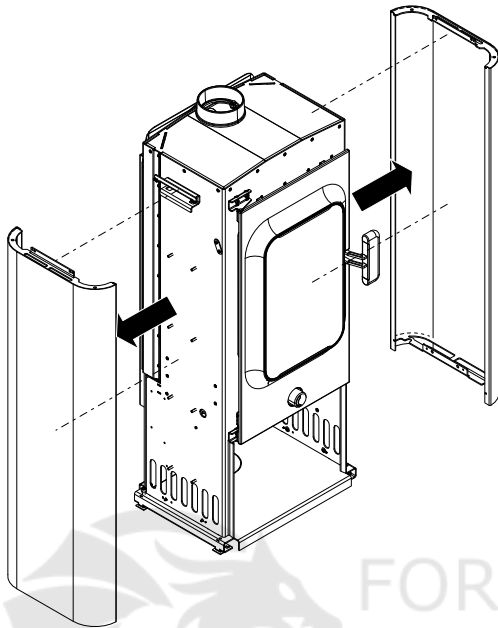
- 2) Loosen the two locking screws (M5/TX 25) of the side cladding, top left and right.

Fig. 52: Loosening l+r screws



- 3) Loosen the two locking screws (M5/TX25) of the side cladding, right and left inside bottom.

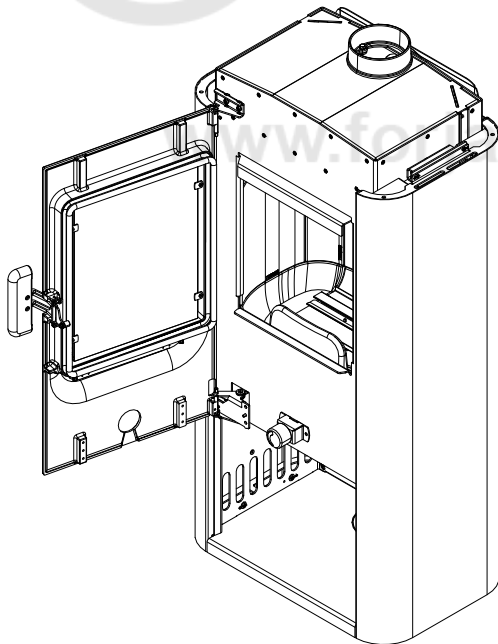
Fig. 53: Loosening the inside bottom screws



4) First lift up and detach side cladding.

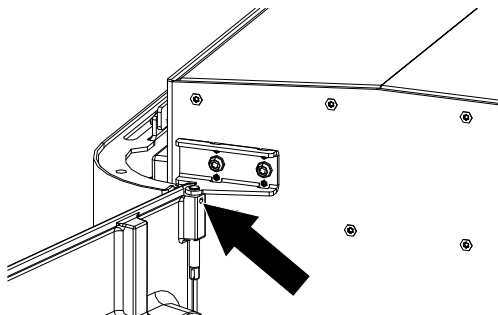
Fig. 54: Detaching the side cladding

## 18.2 Removing the door



1) Open door.

Fig. 55: Open door.



2) Loosen the pressure spring screws (top and bottom).

Fig. 56: Loosening the screws

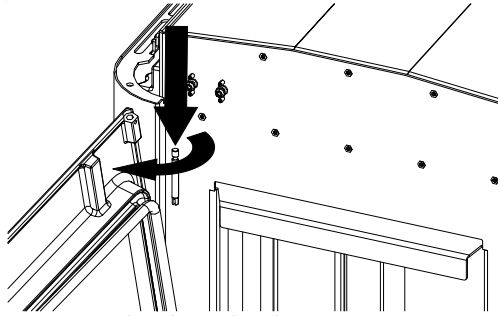


Fig. 57: Unhooking the door

- 3) First pull the top pressure spring downwards.
- 4) Unhook the door at the top.
- 5) Then pull out the bottom pressure spring.
- 6) Remove door.



www.forjas-salvador.com

## 19 Disposal

### NOTICE

To dispose of the stove properly, get in touch with the local (possibly municipal) waste disposal company.

### NOTICE

We recommend that you remove those components of the stove which have been in contact with fire such as window, combustion chamber, grates, firebox lining (Keramott), ceramic, sensors and baffle plates and dispose of them in the household waste.

### NOTICE

For correct uninstallation and dismantling of the stove, contact your Austroflamm specialist dealer.

#### **Electric and electronic components**

Remove the electric and electronic components from the appliance by dismantling them. These components must not be disposed of via non-recyclable waste. Disposal should be carried out professionally via the electrical and electronic waste return system.

#### **Keramott**

Remove Keramott components. If present, fastening elements must be removed beforehand. Keramott components that have been in contact with fire or flue gas must be disposed of. Reuse or recycling is not possible. Local disposal options must be observed.

#### **Steel sheet**

Disassemble steel-sheet components of the appliance by mechanical crushing. If present, remove seals beforehand. Dispose of steel sheet parts as metal scrap. Local disposal options must be observed.

#### **Cast iron**

Disassemble cast-iron components of the appliance by unscrewing or flexing them from one another, or alternatively by mechanical crushing. If present, remove seals beforehand. Dispose of the cast-iron parts as metal scrap. Local disposal options must be observed.

#### **Natural stone**

Mechanically remove any natural stone present from the appliance and dispose of it as construction waste. Local disposal options must be observed.

#### **Fittings etc. (for water-carrying appliances)**

Disassemble the components for carrying water by unscrewing and removing them and dispose of them as metal scrap. Local disposal options must be observed.

#### **Seals (glass fibre)**

Mechanically remove the seals from the appliance. These components must not be disposed of via non-recyclable waste, as glass fibre waste cannot be destroyed through burning. Dispose of seals as glass- and ceramic fibre waste (artificial mineral fibres (AMF)). Local disposal options must be observed.

### **Handles and decorative elements made of metal**

If present, disassemble or remove handles and decorative elements made of metal and dispose of as metal scrap. Local disposal options must be observed.



[www.forjas-salvador.com](http://www.forjas-salvador.com)

## 20 Guarantee / warranty

- 1) **Warranty statement:** For your AUSTROFLAMM stove, we guarantee the flawless performance of the body for six years, and of all other steel and cast iron components for two years from the date of first sale.

Steel and cast-iron parts that manifest material- and or processing defects during the guarantee period (warranty case) will be replaced for new parts provided that the warranty case has been asserted to the best of the holder's knowledge within the statutory warranty period. Functional problems with electronic accessories (e.g. AIR+ SmartSpot) shall only justify a warranty claim for the particular accessory.

Our warranty only covers the free delivery of the new parts: work- and travel times are not recorded.

- 2) **Exceptions:** We do not provide a guarantee on wear parts (e.g. Keramott, seals), surface coatings, varnish, glass and ceramics. In the case of such defects no warranty case has occurred .

When heating up, during operation and when cooling down, your stove may produce some noise (crackling, soft clicking, etc.). This is caused by the various materials expanding and contracting under the influence of temperature in your stove. Noise of this kind does not constitute a warranty claim and do not constitute a warranty claim.

The territorial scope of validity of our guarantee covers Austria and Germany. In all other countries, separate conditions of the importer apply to the respective country.

No warranty case occurs if your Austroflamm stove is not located within the territorial scope of validity, which does not change if it is transported or dispatched by Austroflamm."

- 3) **Requirements:** A warranty case shall only then be replaceable if your Austroflamm stove has been operated, maintained, installed and commissioned by a specialist authorized by Austroflamm, all in compliance with the user handbook. For the replaceability of the warranty case the start-up log must be received by Austroflamm within one month at the latest of the initial commissioning. In order to make a claim on the warranty, repairs to your stove must only be carried out by a service engineer authorized by Austroflamm.

The warranty claim is asserted with the invoice and serial number with the Austroflamm specialist dealer via whom the purchase was made. An unjustified warranty claim will be charged back to you.

- 4) **Guarantee:** This guarantee does not affect your statutory warranty rights towards us. Should your Austroflamm stove already be defective at the point of handover, you can always connect us within the framework of the statutory warrant regardless of whether there is a warranty claim or the guarantee is claimed.

## 21 Start up log

Operator / Customer	Dealer / Engineer
Name	Company
Street	Street
Town and postal code	Town and postal code
Telephone	Telephone
Email	Email

Stove	Working	Comments
Model		
Serial number		
Technology		
Visuals		
Accessories		

On-site conditions	
Type of chimney <input type="checkbox"/> brick <input type="checkbox"/> stainless steel <input type="checkbox"/> firebrick	Flue pipe diameter:
Chimney diameter:	Draft: Actual value: Target value: >12 Pa
Chimney height:	Outside temperature during draft measurement:
Chimney flue - Approved by chimney sweep <input type="checkbox"/> yes <input type="checkbox"/> no	External air supply conduit <input type="checkbox"/> yes <input type="checkbox"/> no
Controlled living space ventilation <input type="checkbox"/> yes <input type="checkbox"/> no	Length:

Instructions for Operator / Customer		
Instructions for handling the appliance explained clearly and comprehensibly	Appliance test heated together with the customer	
Guarantee conditions and warranty explained	Cleaning and maintenance interval explained	
<input type="checkbox"/> glove <input type="checkbox"/> user instructions handed over		

The customer confirms that the stove has been handed over in a fully functional state and free of defects.

\_\_\_\_\_  
Place, date

\_\_\_\_\_  
Signature Operator / Customer

\_\_\_\_\_  
Signature Technician







FORJAS

SALVADOR

www.forjas-salvador.com





[www.forjas-salvador.com](http://www.forjas-salvador.com)

AUSTROFLAMM GMBH  
Austroflamm-Platz 1  
A- 4631 Krenglbach

Tel: +43 (0) 7249 / 46 443  
[www.austroflamm.com](http://www.austroflamm.com)  
[info@austroflamm.com](mailto:info@austroflamm.com)

