

CHARLTON & JENRICK I1500E SLIM

Chimenea eléctrica Charlton & Jenrick I1500E Slimline de diseño elegante, llamas realistas y distintos ambientes para adaptarse a la calidez del hogar.



[Ver más información online](#)

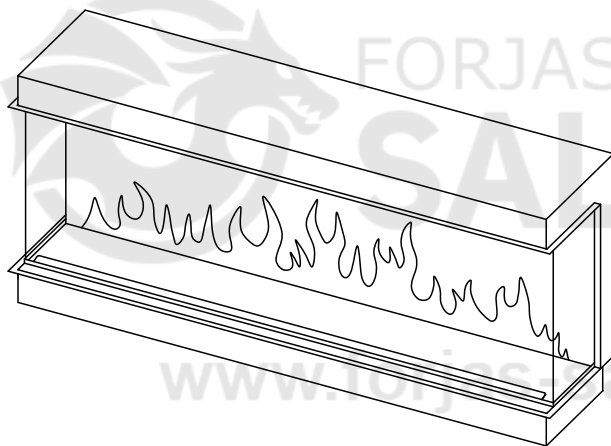
Charlton & Jenrick^{LTD.}

Best of British fires, fireplaces & stoves

iRange Electric Fire

Model:

i750e/i1000e/i1250e/i1500e/i1800e/i2200e



**Please read the instructions carefully before installation
or use and keep for future reference.**



www.forjas-salvador.com

CONTENTS

www.forjas-salvador.com

www.forjas-salvador.com

1. Important Safety Information.....	1
2. Technical Specifications.....	2
3. Parts And Hardware.....	3
4. Appliance Dimensions.....	5
5. Installation Instructions.....	6
6. Operating Instructions.....	11
6a. Manual Control Panel.....	12
6b. Remote Control.....	13
6c. APP Control.....	16
7. Maintenance.....	17
8. Service Parts list.....	18
9. Others.....	21



FORJAS
SALVADOR

www.forjas-salvador.com

1. IMPORTANT SAFETY INFORMATION

- www.forjas-salvador.com
- 1.1 **Read all of the instructions carefully before using the appliance.**
- 1.2 **For indoor use only.** This appliance is not suitable for use outside the house and **only suitable for well insulated spaces or occasional use.**
- 1.3 Do not use this appliance in the immediate surroundings of a bath, a shower or a swimming pool.
- 1.4 Do not use this fire as a free-standing appliance. It must always be fixed to the wall, fireplace mantel, floor etc.
- 1.5 This fire must not be located immediately below a socket-outlet.
- 1.6 This appliance must be earthed.
- 1.7 This appliance must not be supplied through an external switching device, such as a timer, or connected to the circuit that is regularly switched on and off by utility in order to avoid a hazard due to the inadvertent resetting of the thermal cut out.
- 1.8 If the power cord is damaged, it must be repaired by the manufacturer, its authorized service center or professional person in order to avoid a hazard.
- 1.9 **Do Not Cover. Warning:** in order to avoid overheating, do not allow the appliance to be covered or let the air inlet/outlet become obstructed. Please note the warning on the appliance.
- 1.10 To reduce the risk of fire, keep textiles, curtains, or any other flammable material a minimum distance of 1 meter from the air outlet.
- 1.11 Keep the power cords away from hot surfaces and hot conditions. Do not route the power lead in front of the appliance.
- 1.12 Do not use this fire in rooms that have explosive gas in them (for example petrol), or if you are using solvents, glue, aerosol spray or in flammable paints, as these may catch fire.
- 1.13 This appliance is not intended for use by persons (including children) with reduced physical, sensory or mental capabilities, or lack of experience and knowledge, unless they have been given supervision or instruction concerning use of the appliance by a person responsible for their safety.
- 1.14 Cleaning and user maintenance shall not be made by children without supervision.
- www.forjas-salvador.com

1.15 Some parts of this product can become very hot and cause burns. Particular attention has to be given where children and vulnerable people are present.

1.16 Do not use this appliance in small rooms when they are occupied by persons not capable of leaving the room on their own, unless constant supervision is provided.

1.17 Children should be supervised to ensure that they do not play with the appliance.

1.18 Keep the power plug accessible after installation for the purpose of isolation.

1.19 Children of less than 3 years should be kept away unless continuously supervised or a fireguard is fitted .

1.20 Children aged from 3 years and less than 8 years shall only switch on/off the appliance provided that it has been placed or installed in its intended normal operating position and they have been given supervision or instruction concerning use of the appliance in a safe way and understand the hazards involved. Children aged from 3 years and less than 8 years shall not plug in, regulate and clean the appliance or perform user maintenance.

2. TECHNICAL SPECIFICATIONS

Model No. : i750e/i1000e/i1250e/i1500e/i1800e/i2200e

Supply Voltage: AC 230-240V 50Hz

Maximum power consumption: 2000W

Power for flame and fuel bed effect:

Model	i750e	i1000e	i1250e	i1500e	i1800e	i2200e
Power	19.8W	24.3W	34.4W	43.5W	44.9W	53.1W

Power for mood light: DC12V 9W 0.75A

Heat Output:

Nominal heat output (P_{nom}): 1800W

Minimum heat output (indicative) (P_{min}): 1000W

Maximum continuous heat output (P_{max}): 2000W

Auxiliary Electricity Consumption:

At nominal heat output (e_{lmax}): 12.5W

At minimum heat output (e_{lmin}): 12W

In standby mode (e_{lSB}): 0.49W

Type of Heat Output / Room Temperature Control

Single stage heat output and no room temperature control	No
Two or more manual stages , no room temperature control	No
With mechanic thermostat room temperature control	No
With electronic room temperature control	Yes
Electronic room temperature control plus day timer	Yes
Electronic room temperature control plus week timer	Yes




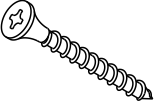
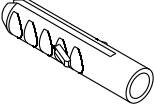
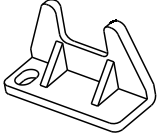
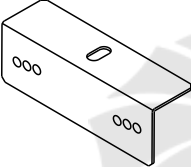
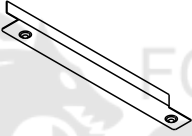
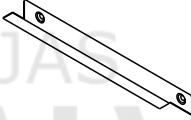
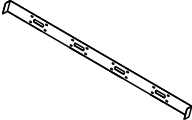
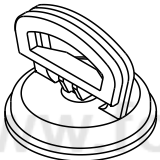
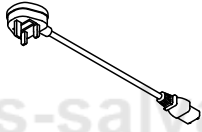
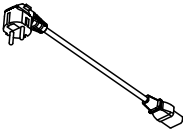


Other Control Options

Room temperature control, with presence detection	No
Room temperature control, with open window detection	Yes
With distance control option	No
With adaptive start control	Yes
With working time limitation	No
With black bulb sensor	No

Control PCB	Remote Control Receiver	Remote Control Transmitter
Hardware: RC01-043B01 Software:V0	Hardware: RF290B V1.2	Frequency: ASK/OOK 433.92MHZ Maximum transmit power: 10mW Hardware:RF290A-TX-V1.3 Software:V2.4.1

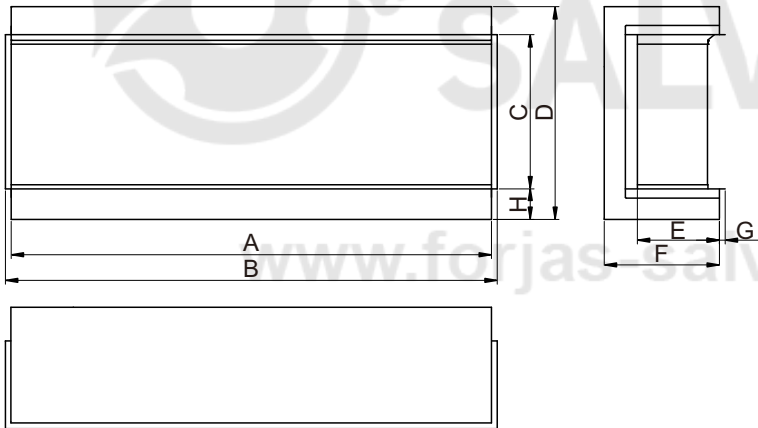
3. PARTS AND HARDWARE

- 3.1 Unpack the fire carefully and make sure that the appliance is intact with no signs of damage caused by transport and no part has been exposed to water. If in doubt, do not use the appliance and contact your retailer.
- 3.2 Keep plastic wrapping away from children.
- 3.3 Save the original packaging as this may be required in the event of service complaint with product.
- 3.4 Check that all parts are removed from the packaging.

<p>A.</p>  <p>Firebox (1pc)</p>	<p>B.</p>  <p>ST4*8 Screw (5pcs)</p>	<p>C.</p>  <p>ST5*40 Screw (18pcs)</p>
<p>D.</p>  <p>ST4*40 Screw (4pcs)</p>	<p>E.</p>  <p>Wall Plug (18pcs)</p>	<p>F.</p>  <p>Power Cord Bracket (1pc) (Installer must fit before leaving appliance)</p>
<p>G.</p>  <p>Lower Brackets (2pcs) (To be used when the wall haning bracket(J) is used)</p>	<p>H.</p>  <p>Edging Strips (2pcs)</p>	<p>I.</p>  <p>Edging Strips (2pcs)</p>
<p>J.</p>  <p>Wall hanging bracket is attached on firebox (1pc) Remove from the appliance if you are not fixing to wall</p>	<p>K.</p>  <p>Sucker 750e/1000e/1250e (1pc) 1500e/1800e/2200e (2pcs)</p>	<p>L.</p>  <p>Power Cord (1pc)</p>
<p>M.</p>  <p>Power Cord EU (1pc)</p>	<p>N.</p>  <p>Plaster Logs (1set)</p>	<p>O.</p>  <p>Black Glass (1set)</p>

<p>P.</p> <p>Vermiculate (1set)</p>	<p>Q.</p> <p>Remote (1pc)</p>	<p>R.</p> <p>AAA Battery (2pcs)</p>
<p>S.</p> <p>Instruction Manual (1pc)</p>	<p>T.</p> <p>Simplified Instruction (1pc)</p>	

4. APPLIANCE DIMENSIONS



Unit:mm

Model	A	B	C	D	E	F	G	H
i750e	750	1030	402	560	214	300	15	79
i1250e	1000	1030	402	560	214	300	15	79
i1250e	1250	1280	402	560	214	300	15	79

Model	A	B	C	D	E	F	G	H
i1500e	1500	1530	402	560	214	300	15	79
i1800e	1800	1830	402	560	214	300	15	79
i2200e	2200	2230	402	560	214	300	15	79

5. INSTALLATION INSTRUCTIONS

5.1 PREPARATION BEFORE INSTALLATION

Tools Required

A screwdriver, a spirit level and drill will be needed.

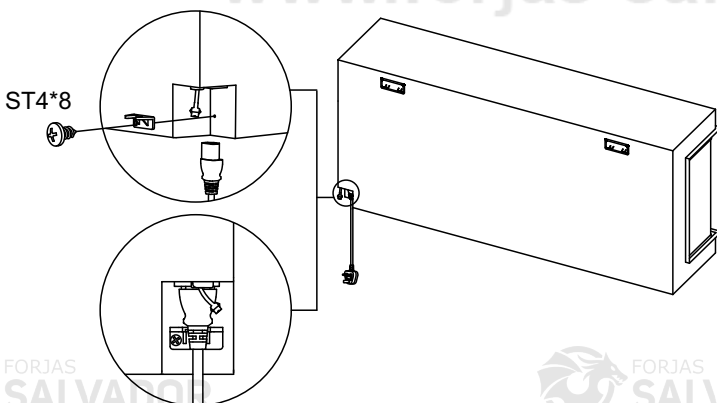
Locate the Appliance

Your new electric fireplace may be installed virtually anywhere in your home. However, when choosing a location, ensure that the general instructions are followed:

- For best result, install out of direct sunlight, water or very damp air.
- The appliance should be connected to an earthed electrical outlet and it **must be** easily accessible to allow disconnection.

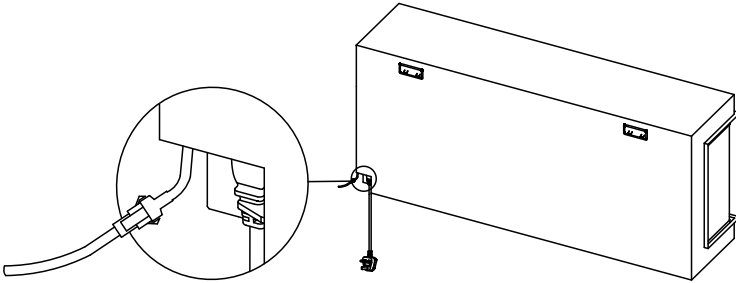
Connect the power cord

It is very important that the plug is tightly located into the socket in rear of appliance . **It is essential that the retention clip provided is fixed in place** using the ST4*8 screw,ensuring a secure connection to the appliance. It is recommended that you turn on and operate the appliance to check that all functions and that there are no issues with the appliance.



Connect the Mood Light Cable

The interface of the mood light cable is on the rear of the appliance, near the position of the power cord. Please also check the function after connecting the mood light.



Note: compatible mood lighting devices are available from Charlton&Jenrick Ltd., Other brands may not be suitable and void the warranty.

Choose Aspect Type

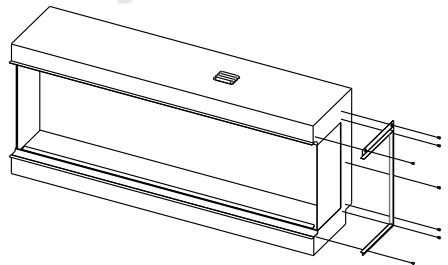
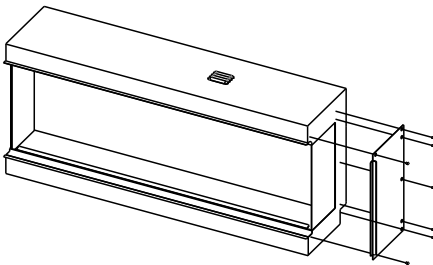
The appliance can be installed in 3 different arrangements. They are as follows:

- **Front view (only the front window is visible)**

When you unpack the appliance, you will notice that the side panels have been fixed on the appliance, which makes the appliance visible on only one front side.

- **Corner Aspect (the front and one of the side windows are visible)**

Remove the side panel and side edging strip from the end you want to feature a glass panel. Then take the **top / bottom** edging strips and the **side** edging strip and fix them to the appliance using the screws taken from the removal of the side panel(s)

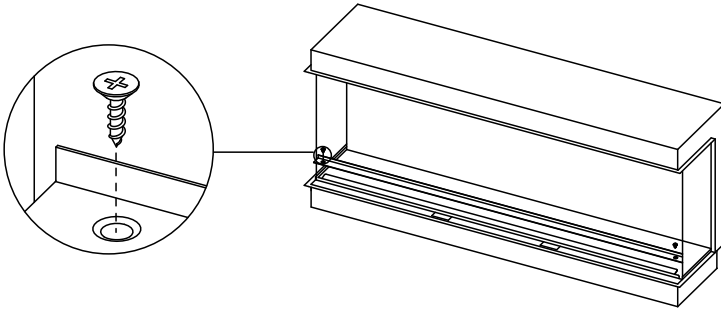


- **Panoramic Aspect (the front and both sides windows are visible)**

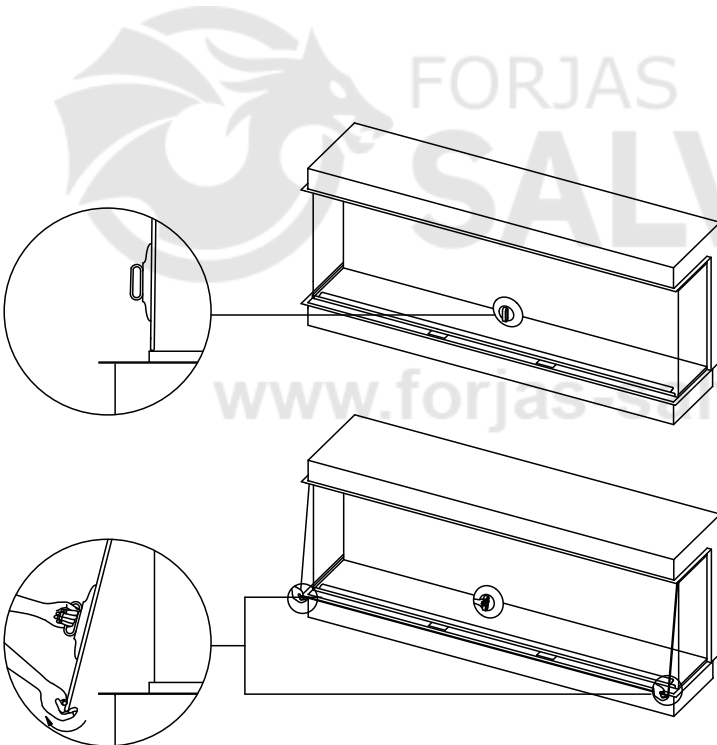
Repeat the corner aspect procedure on the opposite side of the appliance.

Remove the front glass panel

- Remove the 2c/s screws and remove the glass retaining strip as shown below;



- Use a suction cup(s) provided to support the middle of the glass panel and lift the panel upwards and pull it forwards at its lower edge. Carefully lift glass away as shown below.

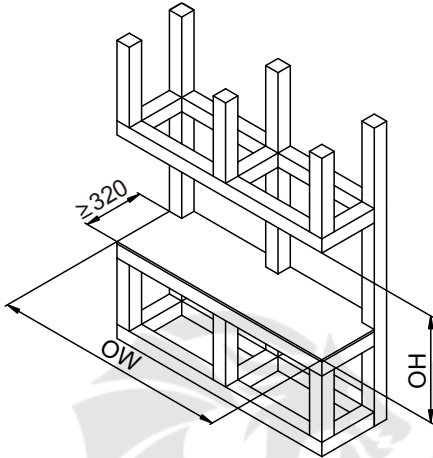


5.2 Installation

The following is only given as a general guide because it can be installed in so many ways. Provided you ensure electric connections are safely made in accordance with the codes, various materials can be used for the framework and cladding. But consideration should be made to soften the internal surface of any cladding to minimise that amplification of noise.

BUILD IN

- Prepare the framework as a general guide only see picture below:

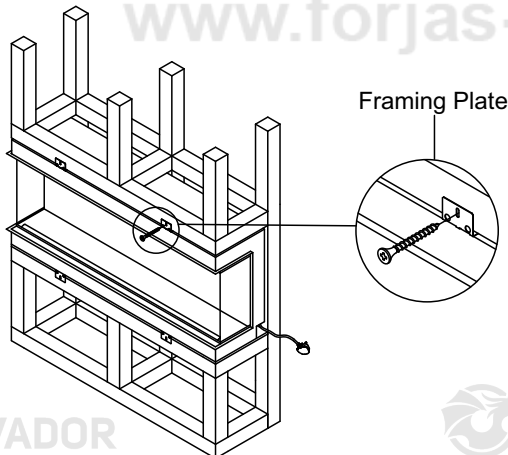


Unit:mm

Model	OW	OH
i750e	710	867
i1000e	1010	575
i1250e	1260	575
i1500e	1510	575
i1800e	1810	575
i2200e	2210	575

NOTE: Ensure a firm flat surface for positioning of the appliance and secure fixing to avoid vibration and movement of the appliance after cladding.

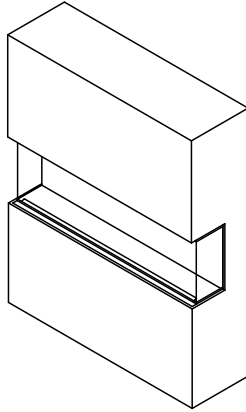
- Push the appliance into the framework and bend out the four brackets on the upper and lower edges of the appliance so that they can be fixed with the screws provided to the framework.



- Cladding the framework. Note: Hard surfaces can amplify sound. Consider adding some underlay or similar to the inside surface of the cladding .

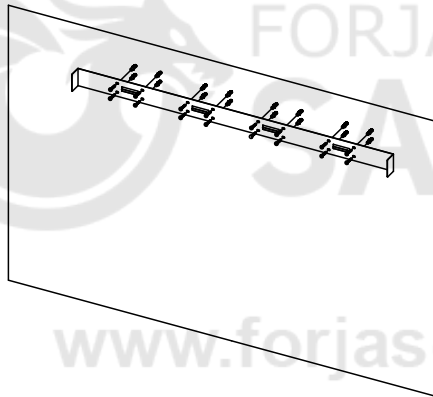
www.forjas-salvador.com

www.forjas-salvador.com

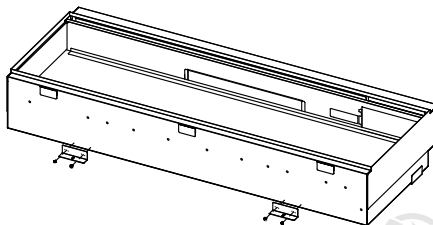


WALL MOUNTED

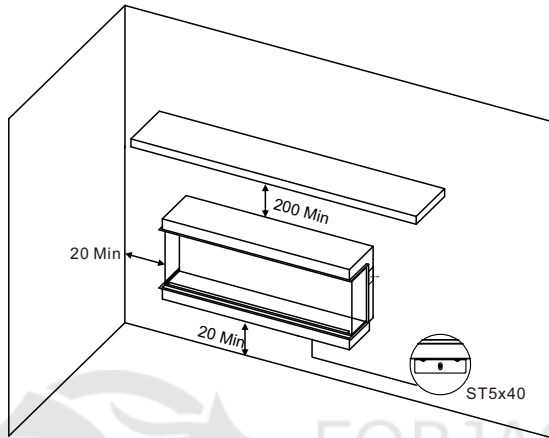
- Remove the wall bracket from the rear of the appliance, and place it horizontally against the wall where you would like to install the appliance. Mark the holes for screws, drill holes on the marks, insert wall plugs and fix the bracket to the wall by ST5x40 screws .



- fix two lower bracket at the bottom by four ST4x8 screws. Note: the screws are fixed on the appliance, remove first.



- Lift the appliance up and attach to the wall mounting bracket. Mark the hole position of the lower fixing bracket, take the appliance down, drill holes on the marks and insert wall plug into it.
- Attach the appliance again on the bracket, secure the appliance to the wall bracket with two ST4x8 screws and secure the lower brackets to the wall with 2 ST5x40 screws, one into each end.



6. OPERATING INSTRUCTIONS

WARNING!

Do not operate the appliance if it is damaged or malfunctions. If you suspect the appliance is damaged or malfunctions, call a qualified service engineer to inspect the appliance, and replace any part of the electrical system if necessary, before reusing.

WARNING!

To reduce the risk of fire, keep textiles, curtains, or any other flammable material a minimum distance of 1 meter from the air outlet.

MAKE SURE the plug fits tight in the outlet. Faulty wall outlet connections or loose plugs can cause the outlet to overheat.

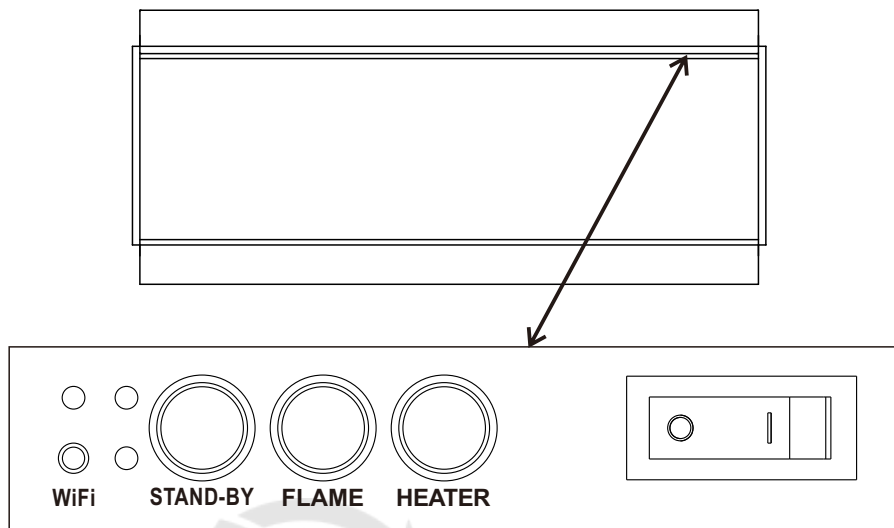
Do not disconnect the power at the mains supply whilst the appliance is running. Use the functions on the remote to turn the fire off and ensure the mains switch is in the off position before disconnecting.

The appliance can be operated conveniently in 3 different ways: manually, via the remote control handset or via the dedicated iOS/Android app.

6a. MANUAL CONTROL

www.forjas-salvador.com

www.forjas-salvador.com



MANUAL SWITCH

Press “I” to turn on the appliance ;Press “O” to turn off it.

STAND-BY

Press to turn on/off flame, downlight, and fuel bed effect .

FLAME

Press repeatedly to cycle through 6 fire preset modes and 3 user defined presets if programmed.

HEATER

Press repeatedly to cycle through low heat setting, high heat setting and no heat.

WiFi

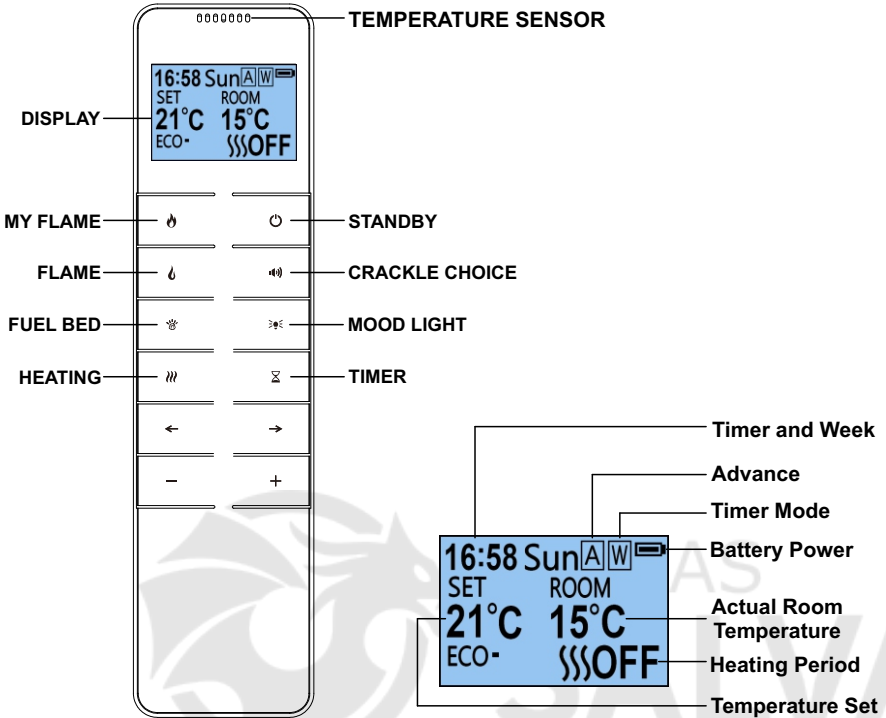
Press to turn on/off WiFi. An illuminated LED indicate that wifi is turned on. Hold button for 3 seconds to enter device pairing mode.

Each time a button is pressed on the appliance or on the remote control, an audible beep is emitted. To turn off this feature, keep pressing button **FLAME** for 3 seconds until you hear two beeps.

6b. REMOTE CONTROLS

www.forjas-salvador.com

www.forjas-salvador.com



NOTE: The remote control handset must be left in the same room as the appliance because it houses the thermostat that regulates heat output. Also, when using the APP, the remote must also be in same room and have batteries fitted and working to ensure accurate temperature control.

Remote Control Set up

The communication frequency between the appliance and remote has already been set up. If you have difficulty with the remote communicating with the appliance, please press and hold button Standby on the appliance until you hear two beeps, release the button. Press Standby button on the remote handset and you will hear one beep. The remote is connected with the appliance.

My Flame

Press to enter My Flame adjustment screen.

press “←” and “→” to select 6 My Flame mode (+3 user defined presets if programmed).

www.forjas-salvador.com

www.forjas-salvador.com

There are 3 preset slots allocated for the user to save personalised. Simply choose the flame colour and brightness level, the fuel bed colour and brightness level. Once you have selected your desired combination, press and hold the My flame button for 3 seconds until the LCD displays My Flame save to 7 Press ' ← ' or ' → ' buttons to select a slot number between 7-9. Press and hold the My flame button for 3 seconds to confirm the preset.

Flame Effect

Press to enter the flame effect adjustment screen.

Press the ' ← ' and ' → ' button to select 3 different flame colours and off setting.

Press the ' - ' and ' + ' button to select 5 levels of brightness

Fuel Bed

Press to enter the fuel bed adjustment screen.

Press the ' ← ' and ' → ' button to select 9 different fuel bed colours and OFF setting. (the ninth is the color cycle mode).

Press the ' - ' and ' + ' button to select the 5 levels of brightness

Mood Light

Note: If mood lights are not connected, please ensure the brightness is set to zero.

Press to enter the mood light adjustment screen.

Press the ' ← ' and ' → ' button to select 14 different mood light colours (the fourteenth is the color cycle mode) and OFF setting..

Press the ' - ' and ' + ' button to select 5 levels of brightness

Crackle Choice

Press to open sound effect menu

Press ' ← ' and ' → ' button to select 2 sound effect

Press ' - ' and ' + ' button to adjust 5 levels of volume and OFF.

Heater Mode

Press to cycle through heat output options LOW-HIGH-OFF-AUTO.

Press the ' - ' and ' + ' button to adjust the temperature you want the room to reach from 5°C to 40°C.

To switch between °C/°F, hold down the ' ← ' or ' → ' buttons for 3 seconds.

NOTE: It is normal for the fan heater to stop running for periods of time.

This happens because the room temperature is at or above the temperature set on the remote control.

Timer Mode

NOTE: This setting is only for operating in normal mode. It allows the appliance to go into standby after a set period of time.

Press to cycle through the settings from 0.5 hours to 10 hours, and then OFF.

Adaptive Start Control

Learning from the previous heating cycle enables the appliance to judge the appropriate advance time to turn on the heater to ensure that the set temperature is reached at the set time. For example, if your timer is set to start at 18:00 and temperature is set to 23°C, the fire may for example come on at 17:30 to ensure the room is 23°C at 18:00.

Window Open Detection

When the transmitter detects a rapid drop in room temperature, it will be judged as a window open, the warning icon will be displayed and the heater will be turned off automatically.

After the indoor temperature has risen or a manual override of the warning (by operating remote control) has been done, the fire will return to normal working state.

Important Safety Information for Remote Controls

To remove the batteries, open the back cover of the remote control to remove the batteries and replace with new one. Pay attention to the positive and negative poles.

Two AAA alkaline batteries are required for the remote control.

Exhausted batteries are to be removed from the appliance and safely disposed of.

This Non-rechargeable batteries are not to be recharged.

Different types of batteries or new and used batteries are not to be mixed.

Batteries are to be inserted with the correct polarity.

If the appliance is to be stored unused for a long period, the batteries should be removed.

The supply terminals are not to be short-circuited.

Resetting the Thermal Cut Out

The appliance is fitted with an Electronic Safety Control (E.S.). This is a safety device, which switches off the fire if, for any reason, the appliance overheats, e.g. when covered. If the heater stops operating while the flame effect continues working normally, this indicates that the E.S. Control is in operation. The E.S. Control can only be re-set after the appliance has cooled down, and

the appliance has been reset. Re-setting of the E.S. Control proceeds as follows:

1. Switch off the appliance (Manual switch) and leave it off for approximately 10-15 minutes.
2. Remove any obstruction to the fan heater outlet or fan blades etc. Make sure that the power supply is disconnected with the plug socket outlet while doing this.
3. Switch on the appliance and the E.S. Control will be re-set.
4. Ensure that the appliance is functioning correctly. If the E.S. Control operates a, the appliance should be checked by a competent electrician.

6c. APP Control

Visit your APP store for IOS or Android to download the C&JsmartFIRE APP. Or use the QR code on the next page. Follow your devices onscreen instructions to create an account. Once installed, follow the procedure below to pair the device with your appliance.

1. Start the APP and click “Add Device” on screen. Click “smartFIRE”, then select WiFi network and enter the password. Note, your device must also be connected to the same home network what you wish to connect the appliance to.
2. Ensure the appliance is powered on, then press and hold the Wi-Fi button on the appliance until you hear 3 beeps at EZ mode. At the same time, the Wi-Fi indicator and the fuel bed will blink.
3. Follow the instructions on APP to choose the EZ mode and confirm the indicator is flashing. Click Next and start to add the device.

If failed at EZ mode, try AP mode. Please press the Wi-Fi button, you will hear 3 beeps, then keep pressing until you hear another 5 beeps to enter AP mode. and then Follow the instructions on APP to choose the AP mode and confirm the indicator is flashing. Click “Go to Connect” and choose a Wi-Fi called “SmartLife-XXX” and start to add the device.

We have created a very detailed APP Operation Instruction and videos to guide you through the process how to load down the APP, Create an account, Pair your appliance to your smart phone and operate the appliance. Scan the QR code on the back of the remote to be taken to the Operation Instruction or the video.



APP Download



Operation instruction and Video

7. MAINTENANCE

WARNING:

Before any maintenance or cleaning of the exterior of the appliance, the unit should be disconnected from the power supply remove supply plug from power socket or turn off and remove fuse from fused spur, wait until the appliance is cool.

Remote Controls Battery Replacement

- 7.1 When the batteries are at full power, the battery symbol will show
- 7.2 When the batteries are half full, the battery symbol will show
- 7.3 When the batteries are out of power and need replacing immediately, the battery symbol will show

Cleaning the Fireplace

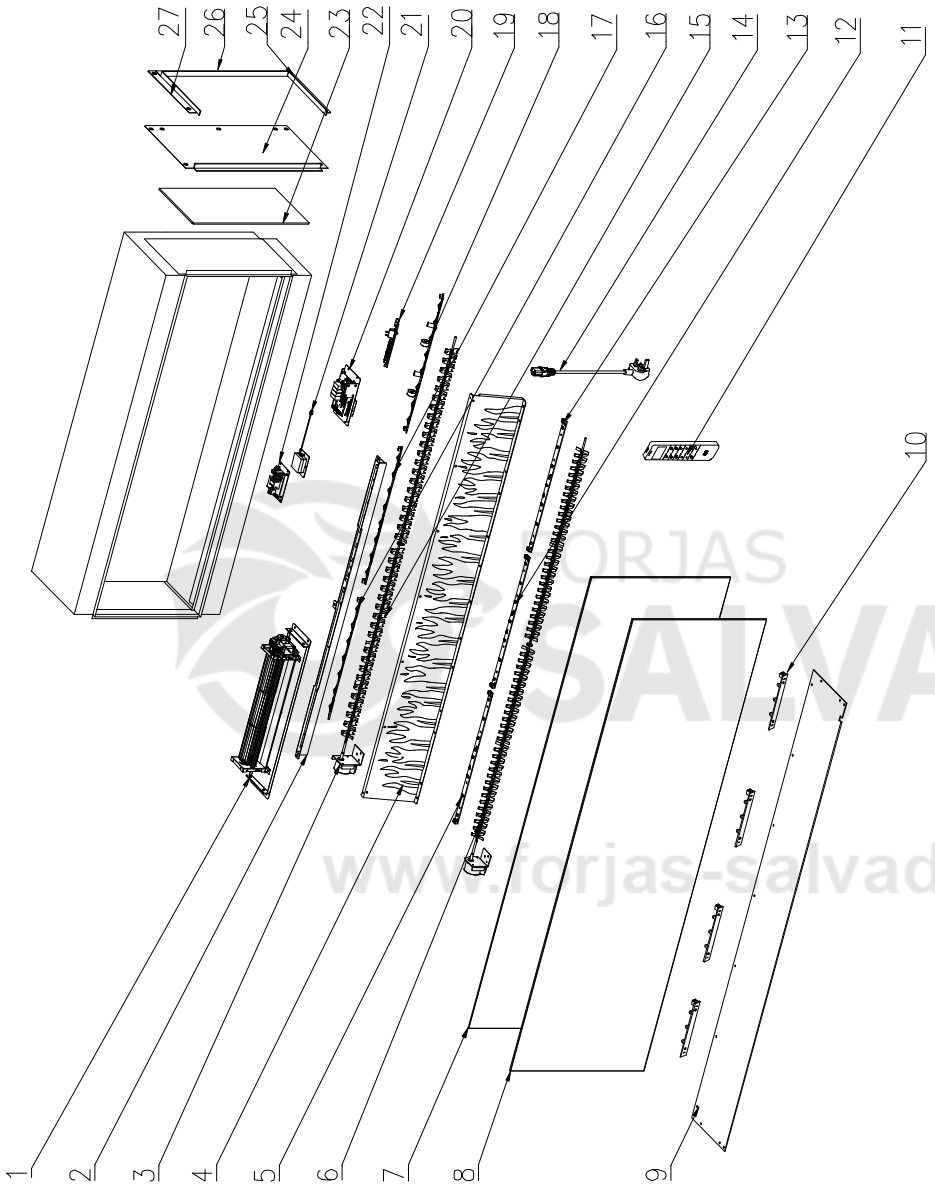
Cleaning or polishing products are not recommended. Fingerprints or other marks on the front glass panel can be removed by a piece of soft, damp, lint-free cloth with a good quality household glass cleaner. The front glass panel should always be completely dried with a clean, lint-free cloth or paper towel.

Caution: Abrasive cleaners should not be used on the glass panel. Liquids should not be sprayed directly onto any surface of the unit.

8. SERVICE PARTS LIST

www.forjas-salvador.com

www.forjas-salvador.com



No.	ITEM	i750e Deep			i1000e Deep			i1250e Deep		
		Part No.	LED Model	QTY	Part No.	LED Model	QTY	Part No.	LED Model	QTY
1	Heater Unit	8891		1	8891		1	8891		1
2	LED Downlight	8955		1	8956		1	8608		1
3	Motor	8609		2	8609		2	8609		2
4	Flame Screen	8958		1	8959		1	8610		1
5	Fuel Bed LED Board	8064	RC07-181A	4	8611	RC07-137A	2	8611	RC07-137A	6
6	Fuel Bed Effect Spindle	8961		1	8889		1	8893		1
7	Display Screen	8962		1	8963		1	8613		1
8	Front Glass	8965		1	8966		1	8614		1
9	Fuel Bed	8968		1	8969		1	8615		1
10	Fuel Bed Front LED Board	8509	RC07-225A	4	8509	RC07-225A	4	8509	RC07-225A	4
11	Remote Control	8890		1	8890		1	8890		1
12	Fuel Bed LED Board	/			8666	RC07-125A	2	/		
13	Fuel Bed LED Board	/			/			/		
14	Power cord UK	8825		1	8825		1	8825		1
15	Flame Effect Spindle	8971		1	8972		1	8625		1
16	Flame Effect LED Board	8974			8668	RC07-167F	1	8621	RC07-224B	1
17	Flame Effect LED Board	/			/			8620	RC07-156B	1
18	Flame Effect LED Board	/			8616	RC07-193C	1	8616	RC07-193C	1
19	Control Panel	8886		1	8886		1	8886		1
20	PCB Board	8885		1	8885		1	8885		1
21	Speaker	8888		1	8888		1	8888		1
22	Power Unit	8892		1	8892		1	8892		1
23	Side Glass Panel	8975		2	8626		2	8626		2
24	Side Metal Panel	8976		2	8619		2	8619		2
25	Edging Strips 1	8639		2	8639		2	8639		2
26	Edging Strips 2	8977		2	8641		2	8641		2
27	Edging Strips 3	8640		2	8640		2	8640		2
28	Log Set	8978		1	8979		1	8643		1
29	Black Resin Embers	8981		1	8982		1	8642		1

No.	ITEM	i1500e Deep			i1800e Deep			i2200e Deep		
		Part No.	LED Model	QTY	Part No.	LED Model	QTY	Part No.	LED Model	QTY
1	Heater Unit	8891			8891			8891		
2	LED Downlight	8644			8660			8957		
3	Motor	8609		2	8609		2	8609		2
4	Flame Screen	8645			8661			8960		
5	Fuel Bed LED Board	8611	RC07-137A	2	8611	RC07-137A	4	8611	RC07-137A	6
6	Fuel Bed Effect Spindle	8894		1	8895		1	8896		1
7	Display Screen	8647		1	8663		1	8964		1
8	Front Glass	8648		1	8664		1	8967		1
9	Fuel Bed	8649		1	8665		1	8970		1
10	Fuel Bed Front LED Board	8509	RC07-225A	4	8509	RC07-225A	4	8509	RC07-225A	4
11	Remote Control	8890		1	8890		1	8890		1
12	Fuel Bed LED Board	/			8666	RC07-125A	4	8666	RC07-125A	4
13	Fuel Bed LED Board	8650	RC07-169A	4	/			/		
14	Power cord UK	8825		1	8825		1	8825		1
15	Flame Effect Spindle	8651		1	8667		1	8973		1
16	Flame Effect LED Board	8621	RC07-224B	1	8668	RC07-167F	1	8668	RC07-167F	1
17	Flame Effect LED Board	8652	RC07-167E	1	8620	RC07-156B	2	8620	RC07-156B	3
18	Flame Effect LED Board	8653	RC07-191C	1	8616	RC07-193C	1	8616	RC07-193C	1
19	Control Panel	8886		1	8886		1	8886		1
20	PCB Board	8885		1	8885		1	8885		1
21	Speaker	8888		1	8888		1	8888		1
22	Power Unit	8887		1	8887		1	8887		1
23	Side Glass Panel	8626		2	8626		2	8626		2
24	Side Metal Panel	8619		2	8619		2	8619		2
25	Edging Strips 1	8639		2	8639		2	8639		2
26	Edging Strips 2	8641		2	8641		2	8641		2
27	Edging Strips 3	8640		2	8640		2	8640		2
28	Log Set	8659		1	8671		1	8980		1
29	Black Resin Embers	8658		1	8658		1	8983		1

9. OTHERS

www.forjas-salvador.com

www.forjas-salvador.com

Environment



Meaning of crossed –out wheeled dustbin:

Electrical appliances should not be disposed as unsorted municipal waste. Separate collection facilities should be used in the disposal of electrical appliances. Contact your local government for the information about the available collection systems. If electrical appliances are disposed of in landfills or dumps, hazardous substances can leak into the groundwater and get into the food chain, damaging your health and well-being. When old appliances are replaced by the new ones, it is a legal oblige for the retailer to take back the old appliance for disposals at least free of charge.



This fire complies with the Safety Standards EN 60335-1 and EN 60335-2-30 which covers the essential requirements of the Low Voltage Directive 2014/35/EU and the EMC standards EN 55014-1; EN 55014-2; EN 61000-3-2 and EN 61000-3-3 which covers the essential requirements of the European Electro Magnetic Compatibility 2014/30/EU, and the RED standards EN300220-2, EN301489-1, EN301489-3 and EN6247 which covers the essential requirements of the European Radio Equipment Directive 2014/53/EU.



This fire complies with the Safety Standards BS 60335-1 and BS 60335-2-30 which covers the essential requirements of the Electrical Equipment (Safety) Regulations 2016 (S.I.2016/1101) and the EMC standards BS 55014-1; BS 55014-2; BS 61000-3-2 and BS 61000-3-3 which covers the essential requirements of the Electromagnetic Compatibility Regulations 2016 (S.I.2016/1091). and the RED standards BS300220-2, BS301489-1, BS301489-3 and BS 6247 which covers the essential requirements of the European Radio Equipment Regulations 2017.



www.forjas-salvador.com

Charlton & Jenrick Ltd

Unit D, Stafford Park 2, Telford, Shropshire, TF3 3AR

Tel: +44 1952 200 444 Fax : +44 1952 200 480

www.charltonandjenrick.co.uk