

GAZCO ESTUDIO 85

Chimenea eléctrica empotrable de 85?cm, frontal, LED multicolor, 2?kW, mando Eco remoto y decoración personalizable. Moderna, realista y eficiente.



[Ver más información online](#)



eStudio

LED Electric Fire Range
with Thermostatic Remote Control



Instructions for Use & Installation

For use in

Great Britain & Republic of Ireland

Éire

République Française

Deutschland

Nederland

Italia

Norge

España

Ελλάδα

עברית

Latvijas Republika

Россия

Groussherzogtum Lëtzebuerg

República Portuguesa

eSTUDIO 60R	eSTUDIO 85R	eSTUDIO 105R	eSTUDIO 135R	eSTUDIO 165R
223-403	223-417	223-439	223-465	223-476

GB

Contents

Operating Instructions..... 5
 Dimensions 130
 Control System Technical Data..... 131
 Installation..... 134
 Information Requirement - Electric Heaters 142

FR

Contenu

Mode d'emploi 13
 Dimensions 130
 Données techniques du système de commande..... 131
 Installation..... 134
 Informations à fournir pour un appareil de chauffage électrique localisé 142

DE

Inhalt

Bedienungsanleitung 22
 Abmessungen 130
 Steuerung Technische Daten 131
 Installation..... 134
 Technische Informationen - Elektrische Heizgeräte 142

NL

Inhoud

Bedieningsinstructies 31
 Dimensies..... 130
 Controlestelsel technische data 121
 Installatie 134
 Informatie-eisen voor elektrische toestellen voor lokale ruimteverwarming 142

IT

Contenuto

Istruzioni Di Funzionamento 41
 Dimensioni 130
 Dati tecnici del sistema di controllo..... 131
 Installazione 134
 Informazioni obbligatorie per gli apparecchi per il riscaldamento d'ambiente locale elettrici 142

NO

Innhold

Betjeningsinstrukser 50
 Dimensjoner 130
 Kontrollsystem teknisk data 131
 Installasjon 144

CONSUMER SUPPORT VIDEO:
www.gazco.tv/support/eStudio

ES

Contenido

Instrucciones De Uso.....	58
Dimensiones	130
Datos técnicos del sistema de control	131
Instrucciones De Instalación.....	134
Requisitos de información que deben cumplir los aparatos de calefacción local eléctricos.....	144

GR

Περιεχόμενα

Οδηγίες λειτουργίας.....	68
Διαστάσεις	130
Τεχνικά δεδομένα του συστήματος ελέγχου	131
Εγκατάσταση	134
Απαιτήσεις πληροφόρησης – Ηλεκτρικοί θερμοαντήρες	144

IL

תוכן ענינים

77	הוראות הפעלה
130	מידות המכשיר
131	טכני
134	הוראות התקנה

LV

Saturs

Lietošanas instrukcijas.....	85
Izmērs	130
Vadības sistēmas tehniskie dati.....	131
Εγκατάσταση	134
Nepieciešamā informācija – elektriskie sildītāji.....	144

RU

Содержание

Инструкция по эксплуатации	93
Размеры.....	130
Технические характеристики системы управления	131
Установка прибора	134

LU

Inhalt

Bedéngungsuleedung.....	103
Ofmiessungen.....	130
Steuerungssystem – Technesch Daten.....	131
Uzstādīšana	134
Informationensufuerderungen – Elektroheizung	144

PT

Conteúdos

Instruções de operação.....	113
Dimensões	130
Dados técnicos do sistema de controlo	131
Instalação	134
Requisito de informação - Aquecedores elétricos	144

IMPORTANT

PARTS OF THE OUTER CASING OF THIS APPLIANCE ARE CONSIDERED BY THE MANUFACTURER TO BE A WORKING SURFACE WHICH BECOMES HOT WHEN THE HEATER IS SWITCHED ON. IT IS THEREFORE RECOMMENDED THAT A FIREGUARD COMPLYING WITH BS 8423 (LATEST EDITION) IS USED IN THE PRESENCE OF YOUNG CHILDREN, THE ELDERLY OR INFIRM.

**THE HEATER OUTLET GRILLE BECOMES VERY HOT WHILST IN OPERATION.
DO NOT COVER THE OUTLET GRILLE OR ANY PART OF THE APPLIANCE.**

For use with 230V 50Hz electricity supply only.

Please read these instructions carefully before installation and keep them in a safe place.

They will be needed when maintenance or servicing is required.

THIS APPLIANCE MUST BE EARTHED

THIS PRODUCT IS ONLY SUITABLE FOR WELL INSULATED SPACES AND OCCASIONAL USE.

IMPORTANT INFORMATION AND HEALTH AND SAFETY

Read all of the instructions carefully before using the appliance.

Remove all packaging and dispose of at an appropriate recycling facility.

Do not locate this appliance immediately below a fixed socket outlet.

Parts of the outer casing of this appliance are considered by the manufacturer to be a working surface which becomes hot when the heater is switched on. You must use a suitable fire guard to protect children, the elderly and the infirm.

Do not use this appliance in the immediate surroundings of a bath, shower, swimming pool or any other area where the appliance could come into contact with water or humidity, e.g. a bathroom.



WARNING! DO NOT COVER

Do not allow the appliance to be covered or let the air inlet/outlet become obstructed as the appliance may overheat. Please note the warning symbol on the appliance (see above).

For indoor use only. This appliance is not suitable for use outside the house.

This appliance must be installed in a purpose built studwork enclosure. Ensure the appliance is level and that furniture, curtains etc. are positioned no closer than 1m.

Where the electricity supply cable has to pass through a fire place, stone surround etc. ensure suitable rubber bushes are fitted at possible wear points.

If installed in an open fireplace, blank off the chimney to reduce the risk of a back draught which can cause the safety cut-out to operate.

Keep the power cord away from hot surfaces and hot conditions. Do not route the power lead in front of the appliance. When the fire has been installed the position of the plug must be accessible.

If the electricity supply cable is damaged do not use the appliance until it has been replaced. For safety reasons the replacement has to be carried out by a Gazco service agent or a similarly competent electrician.

CAUTION: In order to avoid a hazard due to inadvertent resetting of the thermal cut-out, this appliance must not be supplied through an external switching device, such as a timer, or connected to a circuit that is regularly switched on and off by the utility.

Do not operate the appliance if it is damaged.

Repairs of electrical appliances must only be performed by an electrical engineer. Should the appliance fail to operate, or in case of any damage, please contact the retailer from whom the appliance was purchased.

This appliance can be used by children aged from 8 years and above and persons with reduced physical, sensory or mental capabilities or lack of experience and knowledge if they have been given supervision or instruction concerning use of the appliance in a safe way and understand the hazards involved. Children shall not play with the appliance. Cleaning and user maintenance shall not be made by children without supervision.

Children of less than 3 years should be kept away unless continuously supervised.

Children aged from 3 years and less than 8 years shall only switch on/off the appliance provided that it has been placed or installed in its intended normal operating position and they have been given supervision or instruction concerning use of the appliance in a safe way and understand the hazards involved. Children aged from 3 years and less than 8 years shall not plug in, regulate and clean the appliance or perform maintenance.

Caution: Some parts of this product can become very hot and cause burns. Particular attention has to be given where children and vulnerable people are present.

However Gazco recommend:

This appliance is not intended to be used by persons under the age of 12, persons with reduced physical, sensory or mental capabilities or persons with lack of experience and knowledge in the safe operation of the appliance.

The appliance may be operated by persons above the age of 12 provided they have been instructed in the safe use of the appliance and that they understand the hazards involved. Persons above the age of 12 may also operate the appliance under the supervision of a responsible adult.

Parts of this appliance become hot whilst in operation and under no circumstances should persons under the age of 12 be left alone with the product when it is in operation unless a suitable fireguard is used to protect them against the possibility of coming into direct contact with the appliance.

Children shall not play with the appliance.

Cleaning and user maintenance shall not be made by children without supervision.

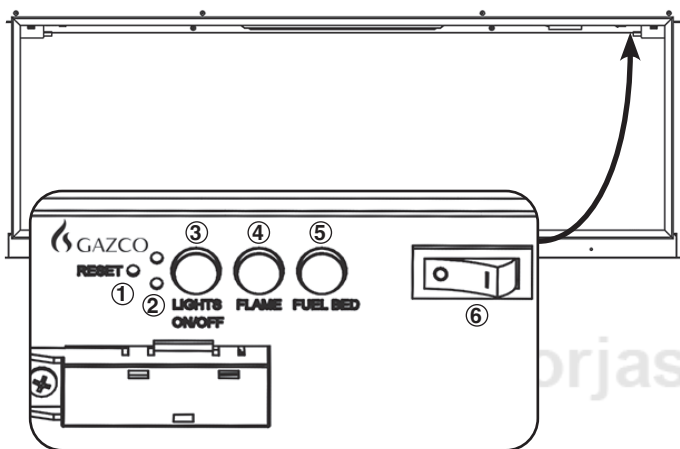
OPERATING INSTRUCTIONS



WARNING! Do not operate the appliance if it is damaged or has malfunctioned. If you suspect the appliance is damaged or has malfunctioned call a qualified service engineer to inspect the appliance, and replace any part of the electrical system if necessary, before reuse.

Do not disconnect the power at the mains supply whilst the appliance is running. Use the functions on the remote to turn the fire off and ensure the mains switch has been moved to the off position before disconnecting.

MANUAL CONTROL PANEL



1. Remote Reset Button
2. Heater Running Indicators
3. All Lights On/Off
4. Flame Setting Button
5. Fuel Bed Setting Button
6. Mains Power On/Off

OPERATING THE APPLIANCE

Press 6 to **Turn the Appliance On/Off**.



NOTE: To use both remote and manual functions the manual on/off switch must be in 'ON' position. To prevent the product overheating, there is a 10s delay when turning on and off the heater fan.

The manual button controls basic functions. Use the remote hand set to carry out all functions.

Press 3 to **Turn Flames and Fuel bed ON/Off** at the same time.

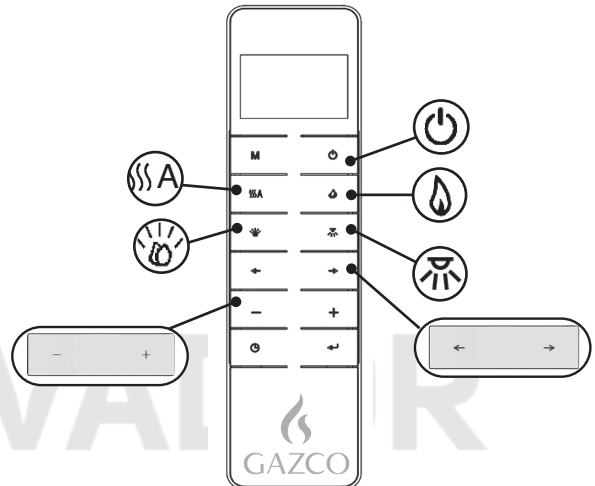
Press 4 to select the colour of flame or return to the OFF position. There are three flame colour options.

Press 5 to select the colour of fuel bed or return to the OFF position. There are fourteen fuel bed colour options.

Note: The appliance will lose the memory for the light functions when the switch is set to the Off Position or the remote runs out of power.

REMOTE CONTROL

The remote control should be left on a flat surface in the room where the appliance is installed and away from any direct flow of hot air.



- Power On/Off

- Heater

- Flames

- Fuel Bed

- Mood Lighting Strip

- Colour option

- Levels

OPERATING THE APPLIANCE
- QUICK START

Turn the Appliance On/Off

The appliance will start on the last remembered setting.



Turn the Heater On/Off.

- Increase or decrease the heat output.



Turn the Flame Effect On/Off.

- Change the colour option.

There are three flame colour options:

- Increase or decrease the brightness level.



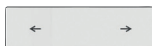
Turn the Fuel Bed Effect On/Off.

- Change the colour option.

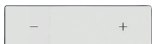
There are fourteen fuel bed colour options:

- Increase or decrease the brightness level.

Turn the Mood Lighting Strip On/Off.

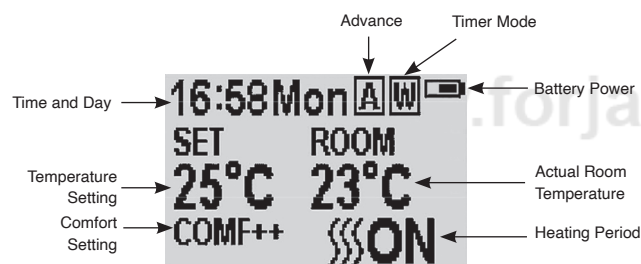
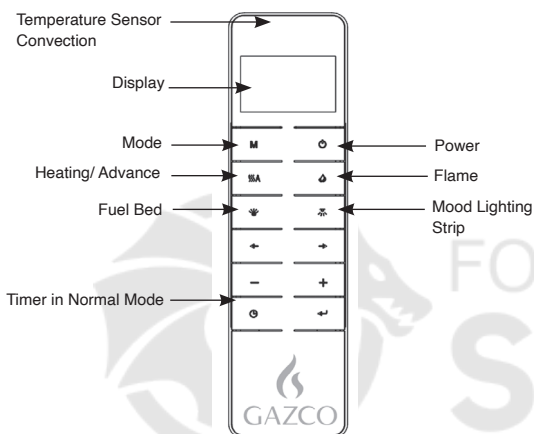


- Change the colour option.
There are fourteen colour options:



- Increase or decrease the brightness level.

OPERATING THE APPLIANCE - ADVANCED OPERATION



TURN ON/OFF

Press button to turn on the flame effect.

Press button to turn off all the functions under the normal heating control mode.

Press button to turn off the flame effect under daily and week timer heating mode.

WEEK DAYS/ TIME/ COMFORT TEMPERATURE AND UNIT SETTING

Ensure the clock is set to the correct time.

Press **M** for 3 seconds.

Press the '**<**' or '**>**' button to choose setting.

The selected character will be highlighted.



Press the '+' or '-' button to adjust the number.

Time: 24-hour system.

Select Comfort temperature from 15-25°C.

Temperature unit: °C/°F.

Press the button for 3 seconds or wait 10 seconds to save and exit the week, time and heating temperature setting.

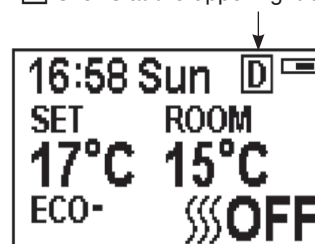
DAILY TIMER HEATING

The following heating periods have been preset, but can be altered if desired:

06:00 until 08:00

17:00 until 22:00

Press **M** until **D** shows at the upper right corner of the screen.



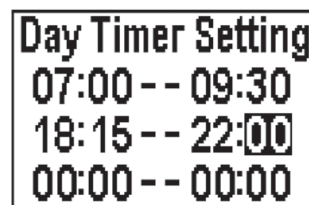
Hold the button for 6 seconds.

3 timed heating periods can be set per day.

Press '**<**' or '**>**' to choose hour or minute.

Press '+' or '-' to set the number.

The minute increment / decrement by 15min per press.



Hold the button for 3 seconds or wait for 10 seconds to save and exit the heating time period setting.

Press to check the daily timer mode.

To turn heating off, return to Normal Control Mode.

When in Daily Timer Mode switching the appliance off with the remote will stop the light output. The heat output will continue according to the timer settings.

ADJUSTING THE SET TEMPERATURE

Press the '+' or '-' button to increase or decrease the temperature on the basis of COMF temperature.

COMF means the actual temperature is the same as setting.

ECO means the actual temperature is 2°C lower than the setting temperature.

ECO- means 4°C lower.

COMF+ means 2°C higher.

COMF++ means 4°C higher.

ADAPTIVE START CONTROL

The heater will automatically determine the appropriate time to heat to ensure that it will reach the set-pointed temperature at the set time (up to 45 minutes prior to the set time).

FLAME COLOUR ADJUSTMENT

Press  button.

There are 3 flame colour options.

There are 6 levels of brightness, including off.




Press the '←' or '→' button to cycle through the flame colour options.

Press the '+' button to increase the flame brightness.

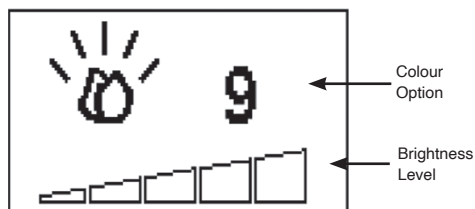
Press the '-' button to decrease the flame brightness until off.

FUEL BED COLOUR ADJUSTMENT

Press  to enter the fuel bed light adjustment screen.

There are 14 fuel bed colour options.

There are 6 levels of brightness, including off.




Press the '←' or '→' button to cycle through the fuel bed colour options.

Press the '+' button to increase the fuel bed brightness.

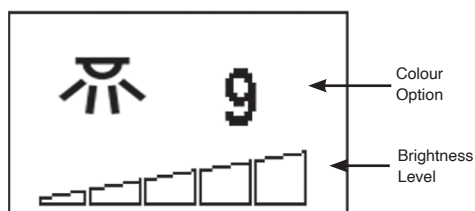
Press the '-' button to decrease the fuel bed brightness until off.

MOOD LIGHTING COLOUR ADJUSTMENT

Press  to enter the Mood light adjustment screen.

There are 14 colour options.

There are 6 levels of brightness, including off.



Press the '←' or '→' button to cycle through the colour options.

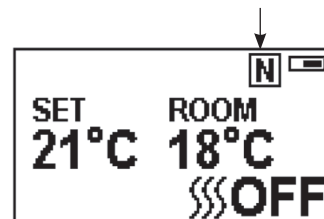
Press the '+' button to increase the brightness.

Press the '-' button to decrease the brightness until off.

NORMAL CONTROL MODE

Normal Control Mode is the default setting.

Press **M** button until the **N** logo is shown



Press the '+' or '-' button to adjust the setting temperature from 17 °C to 25°C.

Press  **A** button to turn the heat on/off.




Note: It is normal for the fan heater to stop running for periods of time. This happens if the room temperature is higher than the temperature set on the control.

The heater indicator will be turned off after 10s if the flame is switched ON. The heater indicator will stay ON if only the heating function is used.

When in Normal Control Mode switching the appliance off with the remote will stop both the light and heat output.

COUNT DOWN TIMER

This setting is only in normal heating control mode. It allows the appliance to be returned to Standby after a set period of time. The heater must be switched on to use this function.

Press  to cycle through the setting from Off and 0.5 hours to 9 hours. Timer logo and remaining time will show on the screen.

The heater of appliance can be automatically run by using daily timer and weekly timer.

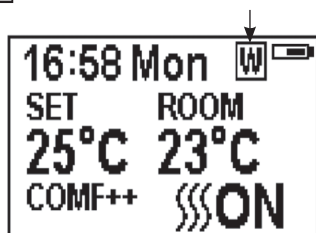
WEEK TIMER HEATING

The following heating periods have been preset, these can be altered if desired:

From Monday to Friday
06:00 until 08:30
17:00 until 22:00

From Saturday to Sunday
06:30 until 09:30
11:00 until 13:00
17:00 until 22:00

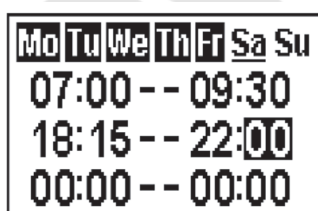
Press **M** until **W** shows.



Hold the **←** button for 6 seconds.

Press '**←**' or '**→**' to move the cursor (a flashing underline).

Press the **←** button in the corresponding week position to select (the character is highlighted) or cancel (the character is displayed normally) the current setting, the same time period can be selected together.



Press the '**→**' button to move the cursor to the time period setting area.

Press '**←**' or '**→**' button to choose hour or minute.

Press '**+**' or '**-**' to set the number.

A maximum of 3 timed heating periods can be set per day.

Minute increment / decrement by 15min per press.

Press **←** to set the heating time for the selected day and return to the week line.

Hold the **←** button for 3 seconds or wait for 10 seconds to save and exit the heating time period setting.

Press **←** '**←**' or '**→**' to check the timer setting for the week timer heating mode.

To turn heating off, return to Normal Control Mode.

When in Weekly Timer Mode switching the appliance off with the remote will stop the light output. The heat output will continue according to the timer settings.

ADJUSTING THE SET TEMPERATURE

Press the '**+**' or '**-**' button to increase or decrease the temperature on the basis of COMF temperature.

COMF means the actual temperature is the same as setting.

ECO means the actual temperature is 2°C lower than the setting temperature.

ECO- means 4°C lower.

COMF+ means 2°C higher.

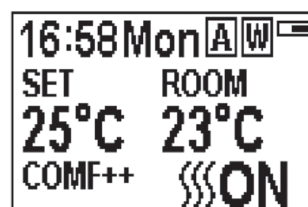
COMF++ means 4°C higher.

ADAPTIVE START CONTROL

The heater will automatically determine the appropriate time to heat to ensure that it will reach the set-pointed temperature at the set time (up to 45 minutes prior to the set time).

ADVANCE MODE

The heating state can be advanced to the next period under both the daily and week timer heating mode.

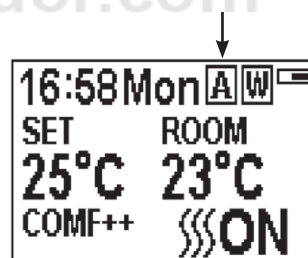


If the heater is on in the current period, pressing the button will turn the heater off.

If the heater is off in the current period, pressing the button will turn the heater on.

Heating output depends on the room temperature and setting temperature.

Press **≡ A** to enter the Advance mode under the daily and week timer heating mode.



Press **≡ A** again or timer period ends will exit the Advance mode.

WINDOW OPEN DETECTING

When the transmitter detects a rapid drop in room temperature, it will be judged as an open window: the warning icon will be displayed and the heating will be turned off automatically.






After indoor temperature rise or manual intervention (by operating remote control), it will return to normal working state.

OPERATING THE APPLIANCE - TROUBLESHOOTING

BATTERY

The battery power level is indicated at the top right of the remote control screen.

	Battery Full	No action required
	Battery Half Power	Ensure new batteries are available.
	Battery Empty	Replace batteries immediately

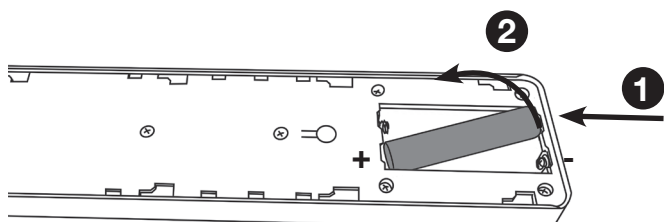
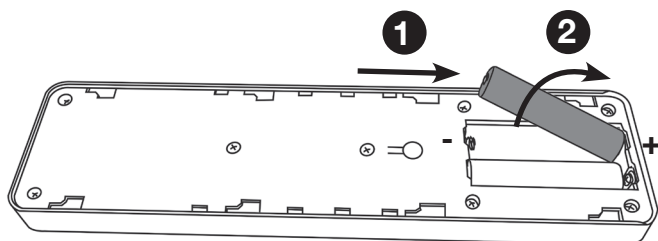
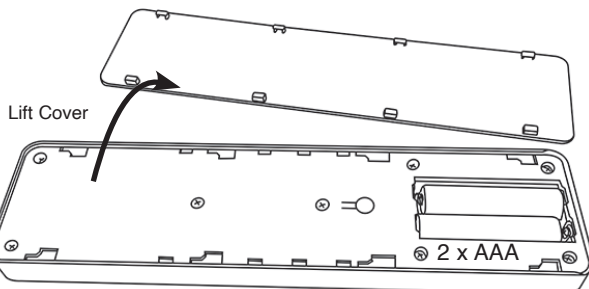
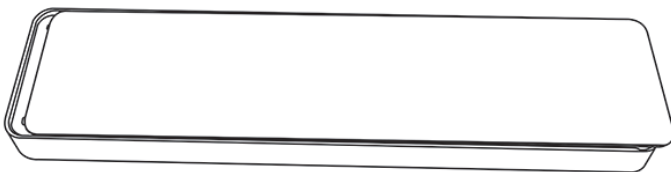


NOTE: The remote control has a Battery Status indicator (top right corner), after an extended period of displaying empty the LED screen will cease to function despite the handset still being able to send commands.
Replace the batteries to restore display.

BATTERY REPLACEMENT

Exhausted batteries are to be removed from the appliance and safely disposed of.

Slide Cover →



Ensure that the handset batteries are new and inserted correctly.

Dispose of old batteries at an appropriate recycling facility.

Battery replacement is recommended after 1 year.
The Remote requires two 1.5V alkaline AAA batteries.

Ensure the correct polarity.
Do not short circuit the terminals.

Do not attempt to recharge non-rechargeable batteries.

Remove rechargeable batteries before charging.

Do not mix old and new batteries.

Remove batteries if the appliance is not used for long periods.

Changing the batteries will not affect the Timer Mode settings. Ensure the clock is set to the correct time.



NOTE: To use both remote and manual functions the manual on/off switch must be in 'ON' position. In order to prevent the product becoming too hot, there is 10s delay when turning on the heater and a 10s delay when turning off the heater fan.

The manual button controls basic functions, not a full range of controls. Use the remote hand set to carry out all functions.

HEATER RUNNING INDICATORS

When the fan heater is used in conjunction with the flame or fuel bed effects the heater running indicators will light up for 10 seconds.

The LEDs will illuminate for 10 seconds if the flame or fuel bed effect is On.

If the fan heater is used independently, the heater running indicators will stay on.

RESET BUTTON FOR REMOTE CONTROL

If the handset loses signal or needs to be replaced then, see Servicing Instructions for details.

SIGNAL CODE

The handheld transmitter is configured in the factory with a unique signal code.

IMPORTANT: If the handset loses signal or needs to be replaced, see Servicing Section for details.

MAINTENANCE

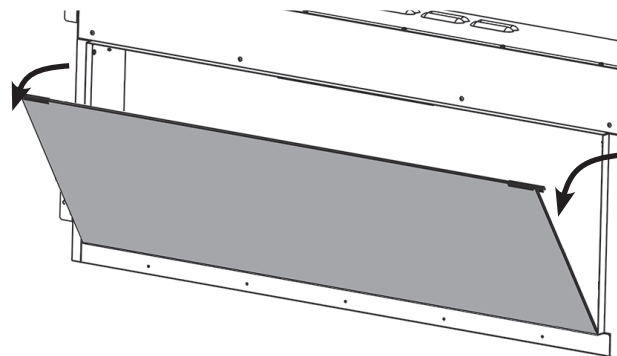
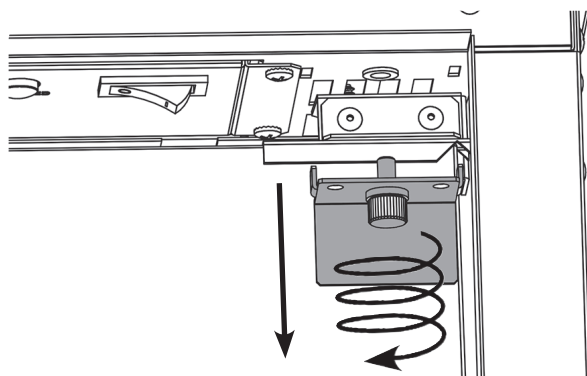
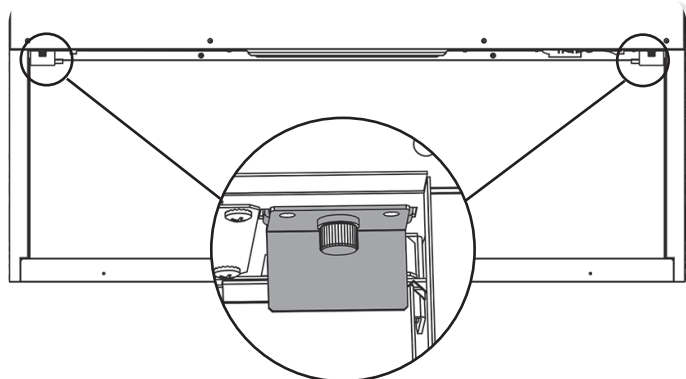
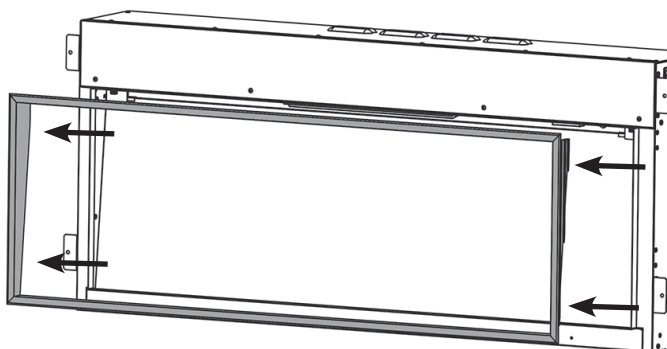
ENSURE THE APPLIANCE IS TURNED OFF BEFORE CLEANING.

GLASS CLEANING

Wipe the glass viewing panel with a damp cloth and buff with a lint free duster.

Caution: Do not use abrasive cleaners on the glass panel. Do not spray liquids directly onto any surface of the unit.

CLEANING THE FUEL EFFECT



Remove and wash the fuel effect to remove any dust particles. Alternatively clean with a lint free duster.

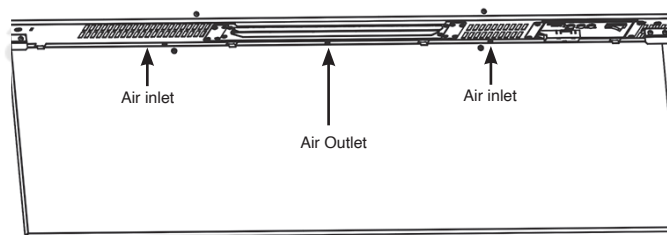
Ensure that the effect is dry before replacing.

Replace the fuel effect see Installation Instructions Section 5 for layout.

Replace in reverse order.

CLEANING AIR INLETS

Clean the air inlet and outlet grilles regularly with a soft cloth or the nozzle of a vacuum cleaner.



Dust build-up can inhibit efficient performance of the fan and lead to the safety cut-out operating.

Keep the area around the appliance clean and free of fluff, dust or pet hair.

In particular, build-up of dust etc. can occur around the heater area. Take particular care to keep this area free from such particles on a regular basis to prevent build-up.

SERVICING AND SUPPORT



Servicing and Support

To keep your appliance looking and performing at its best, it must be serviced annually. This service must be undertaken by a suitably qualified individual and your retailer can organise this for you. Alternatively, Gazco offer a manufacturers premium service with our friendly team of qualified engineers which can be booked at www.gazco.com/support

INSTALLATION

GENERAL

TOOLS REQUIRED

A Screwdriver, Spirit Level, Saw and Drill will be needed.

UNPACKING THE FIREPLACE

WARNING! DO NOT use this appliance if any part has been exposed to water.

Immediately call a qualified service technician to inspect and to replace any part of the electrical system if necessary.

Open the packaging carefully and remove the polystyrene. Remove and discard the plastic bag. Keep plastic wrapping away from children. Be responsible when handling the packing materials.

Check all parts and accessories are removed before disposing of any packaging. If necessary keep the original packaging for future transport and/or storage.

Test the appliance before installation.

FITTING THE APPLIANCE

LOCATING THE ESTUDIO

Your new eStudio may be installed virtually anywhere in your home. However, when choosing a location ensure that the general instructions are followed.

For best results, install out of direct sunlight.

The heater should ideally be fitted into/onto an internal flat wall constructed from either studwork and plasterboard block/brick. The fixings provided are for use on brick walls ONLY. Please ensure that suitable fixings are used when securing to any hollow or purpose built cavity.

NOTE: This appliance is not suitable for fitting to a Cavity Wall, backing on to an outside wall, an open chimney or any opening that may be subject to damp and draft, unless adequate precautions are taken to avoid the appliance coming into contact with moisture or excessive drafts. In such installations, any existing chimney and/or purpose provided air vents should be fully sealed.

Make sure there are no pipes or cables behind the area to be drilled or cut.

Always ensure the appliance is adequately supported and sits on a firm structure when mounting above floor level.

The appliance should ideally be located close to a suitable mains socket to enable connection. An extension could be run from an existing socket outlet but this must be carried out by a suitably qualified electrical engineer.

The electrical socket must be easily accessible to allow disconnection when the appliance is fitted.

If the power cord is damaged, it must be repaired by the manufacturer, its authorised service centre or professional person.

Ensure that curtains and furniture are not positioned close to the chosen position, as this would create a potential fire hazard or block the heater outlet ducts.

WARNING! KEEP ALL COMBUSTIBLE MATERIALS AT LEAST 1M FROM THE FRONT OF THE ELECTRIC FIREPLACE.

SERVICING REQUIREMENTS



DURING SERVICING OF THIS APPLIANCE IT MAY BE NECESSARY TO CUT CABLE TIES IN ORDER TO ACCESS AND REMOVE SOME OF THE PARTS. THESE MUST BE REPLACED WHEN REASSEMBLING THE APPLIANCE.

THIS APPLIANCE MUST ONLY BE SERVICED BY A SUITABLY QUALIFIED PERSON.

BEFORE UNDERTAKING ANY WORK ON THE APPLIANCE: SWITCH OFF THE APPLIANCE AND ISOLATE THE POWER SUPPLY ENSURING THERE IS NO POWER TO THE APPLIANCE.

Wait for at least 10 minutes until the appliance has cooled down.

Remote Handset Battery Replacement

Replace with 2 AAA batteries. Make sure the batteries are installed correctly in the remote control.



NOTE: The remote control has a Battery Status indicator (top right corner), after an extended period of displaying empty the LED screen will cease to function despite the handset still being able to send commands. Replace the batteries to restore display.

Maintenance of Motors

The motor used on the flame effect is pre-lubricated for extended bearing life and requires no further lubrication. However, periodic cleaning/vacuuming of the heater unit is recommended.

Resetting the Thermal Cutout Switch

The appliance is fitted with an Electronic Safety Control (E.S.). This is a safety device which switches off the fire if, the appliance overheats for any reason e.g. when covered.

If the heater stops operating whilst the flame effect continues normally, this indicates that the E.S. Control is in operation. The E.S. Control can only be re-set after the appliance has cooled down.

To re-set the E.S.:

Switch off the appliance (Manual On/Off switch) and leave for approximately 120 minutes.

Remove any obstruction to the fan heater outlet or other internal parts.

Switch on appliance and the E.S. Control will re-set. Ensure that the appliance is functioning correctly. If the E.S. Control operates again, the appliance should be checked by a competent Electrician.

IMPORTANT

CERTAINES PARTIES EXTERNES DE L'APPAREIL SONT CONSIDÉRÉES, PAR LE FABRICANT, COMME ÉTANT DES SURFACES DE TRAVAIL QUI DEVIENNENT CHAUDES LORSQUE LE CHAUFFAGE EST EN MARCHÉ. IL EST DONC FORTEMENT RECOMMANDÉ D'UTILISER UNE GARDE CONFORME À LA NORME BS 8423 (DERNIÈRE ÉDITION) EN PRÉSENCE DE JEUNES ENFANTS, DE PERSONNES ÂGÉES OU HANDICAPÉES.

LA GRILLE D'ÉVACUATION DU SYSTÈME DE CHAUFFAGE DEVIENT TRÈS CHAUDE LORS DU FONCTIONNEMENT. NE PAS COUVRIR LA GRILLE D'ÉVACUATION NI TOUTE AUTRE PARTIE DE L'APPAREIL.

Pour utilisation uniquement avec une alimentation électrique de 230V, 50Hz.

Veillez lire ces instructions avec attention avant de procéder à l'installation, et les conserver en lieu sûr car vous en aurez besoin en cas de maintenance et de service.

CET APPAREIL DOIT ÊTRE RELIÉ À LA TERRE

CE PRODUIT NE PEUT ÊTRE UTILISÉ QUE DANS DES LOCAUX BIEN ISOLÉS OU DE MANIÈRE OCCASIONNELLE.

INFORMATIONS IMPORTANTES ET HYGIÈNE ET SÉCURITÉ

Lisez attentivement toutes les instructions avant d'utiliser l'appareil.

Les emballages doivent être jetés dans un centre de recyclage approprié.

Ne pas placer l'appareil immédiatement au-dessous d'une sortie fixe de prise.

Certaines parties externes de l'appareil sont considérées, par le fabricant, comme étant des surfaces de travail qui deviennent chaudes lorsque le chauffage est en marche. Vous devez utiliser une garde adéquate pour protéger les enfants, les personnes âgées et les infirmes.

Ne pas utiliser cet appareil à proximité immédiate d'une baignoire, d'une douche, d'une piscine ou de tout autre lieu où l'appareil risque d'être en contact avec l'eau.



ATTENTION: NE PAS RECOUVRIR!

ATTENTION: Ne pas recouvrir l'appareil ou boucher l'arrivée / la sortie d'air car cela risque de provoquer la surchauffe de l'appareil. Veuillez noter le symbole d'avertissement sur l'appareil (voir ci-dessus).

Uniquement pour utilisation à l'intérieur. Cet appareil n'est pas adapté à une utilisation à l'extérieur de la maison.

Cet appareil doit être installé dans une enceinte à ossature murale spécialement conçue à cet effet. Veiller à ce que l'appareil soit à niveau et à ce que tout mobilier ou rideau soit positionné à au moins 1 m.

Lorsque le câble d'alimentation électrique doit passer à travers une cheminée, un entourage en pierre, etc., le munir d'une bague en caoutchouc aux points de frottement possible.

En cas d'installation dans une cheminée ouverte, boucher le conduit de fumée de manière à réduire le risque de refoulement susceptible de provoquer le déclenchement du dispositif d'arrêt d'urgence.

Éloigner le câble d'alimentation électrique des surfaces chaudes et des zones à haute température. Ne pas faire passer le câble d'alimentation électrique devant l'appareil.

Une fois l'appareil installé, l'emplacement de la prise doit être accessible.

Si le câble d'alimentation électrique est endommagé, ne pas utiliser l'appareil jusqu'à ce qu'il ait été remplacé. Pour des questions de sécurité, le remplacement doit être effectué par la société Gazco, un agent de service Gazco ou bien par un électricien compétent.

ATTENTION : Afin d'éviter tout danger suite à une réinitialisation accidentelle de la coupure thermique, cet appareil ne doit pas être alimenté par un dispositif de commutation externe, comme un minuteur ou connecté à un circuit qui est régulièrement mis sous et hors tension par l'utilité.

Ne pas utiliser l'appareil s'il est endommagé.

Les réparations des appareils électriques ne doivent être effectuées que par un électricien. Si l'appareil ne fonctionne pas ou en cas de dommages, veuillez contacter le revendeur qui vous a livré l'appareil.

Cet appareil peut être utilisé par des enfants âgés de 8 ans et plus et par des personnes ayant des capacités physiques, sensorielles ou mentales réduites ou manquent d'expérience et de connaissances, si elles sont sous surveillance ou suivent les instructions relatives à l'utilisation de l'appareil de manière sûre et comprennent les risques inhérents. De ne pas laisser les enfants jouer avec l'appareil. De ne pas laisser les enfants effectuer le nettoyage et l'entretien sans surveillance.

Les enfants de moins de 3 ans doivent toujours être tenus éloignés sauf s'ils sont constamment surveillés.

Les enfants entre 3 ans et 8 ans ne devront mettre sous/hors tension l'appareil que si ce dernier a été placé ou installé dans sa position d'utilisation normale prévue et sous surveillance ou en suivant les instructions relatives à l'utilisation de l'appareil de manière sûre et s'ils comprennent les risques inhérents. Les enfants entre 3 ans et 8 ans ne devront pas brancher, régler et nettoyer l'appareil ni l'entretenir.

Attention: certaines pièces de ce produit peuvent devenir très chaudes et provoquer des brûlures. Une attention particulière doit être accordée aux enfants et aux personnes vulnérables.

Toutefois, Gazco recommande :

L'usage de cet appareil est déconseillé aux personnes de moins de 12 ans, aux personnes aux capacités intellectuelles, sensorielles ou physiques limitées ou aux personnes qui manquent d'expérience et de connaissance pour manipuler cet appareil en toute sécurité.

L'appareil peut être manipulé par des personnes de plus de 12 ans à condition qu'elles aient bien assimilé les consignes de sécurité de l'appareil et qu'elles ont compris les risques encourus. Les personnes âgées de plus de 12 ans peuvent aussi manipuler l'appareil sous la surveillance d'un adulte responsable.

Les pièces de cet appareil deviennent chaudes quand il est en marché et il ne faut en aucun cas laisser des personnes de moins de 12 ans sans surveillance avec le produit en marche à moins qu'un coupe-feu ne soit utilisé pour les empêcher d'entrer en contact direct avec l'appareil.

De ne pas laisser les enfants jouer avec l'appareil.

De ne pas laisser les enfants effectuer le nettoyage et l'entretien sans surveillance.

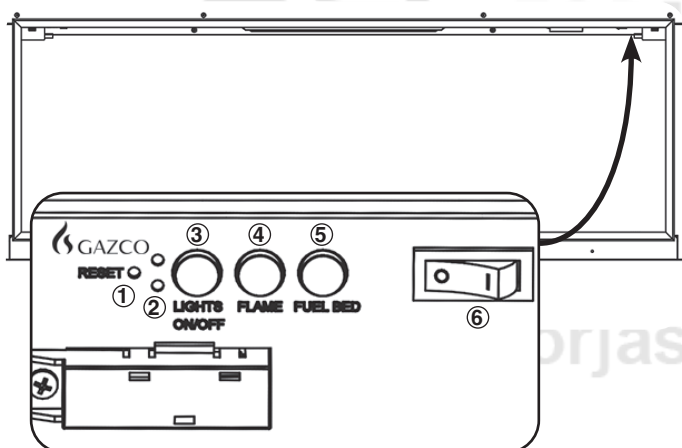
MODE D'EMPLOI



ATTENTION! Ne pas allumer l'appareil s'il est endommagé ou en cas de dysfonctionnement. Si vous pensez que l'appareil est endommagé ou en cas de dysfonctionnement, veuillez contacter un technicien de service qualifié pour inspecter l'appareil, et remplacer toutes pièces du circuit électrique si nécessaire avant de le remettre en marche.

De ne pas débrancher l'appareil du secteur lorsque l'appareil fonctionne. Utilisez les fonctions de la télécommande pour arrêter le feu et veillez à ce que l'interrupteur d'alimentation soit placé sur la position arrêt avant de débrancher.

PANNEAU DE COMMANDE MANUELLE



1. Bouton Réinitialisation de la télécommande
2. Indicateurs de fonctionnement de l'appareil de chauffage
3. Bouton Marche/Arrêt toutes les lumières
4. Bouton d'effet flamme
5. Lit de combustible bouton de réglage
6. Stand-by On/Off Interrupteur

UTILISATION DE L'APPAREIL

Appuyez sur 6 pour **allumer/éteindre** l'appareil.



REMARQUE : Pour utiliser les fonctions de la télécommande et manuelles, l'interrupteur marche/arrêt manuel doit être sur la position 'ON'. Pour éviter une surchauffe du produit, il y a un délai de 10 s lors de la mise en marche de l'appareil de chauffage et un délai de 10 s lors de l'arrêt du ventilateur de l'appareil de chauffage.

Le bouton manuel commande les fonctions de base, pas toutes les commandes. Utilisez la télécommande pour exécuter toutes les commandes.

MISE SOUS/HORS TENSION

Appuyez sur 3 pour **allumer/éteindre les flammes et le lit de combustible en même temps**.

Appuyez sur 4 pour sélectionner la couleur de la flamme ou revenir à la position ARRÊT.

Il existe trois options de couleur de flamme :

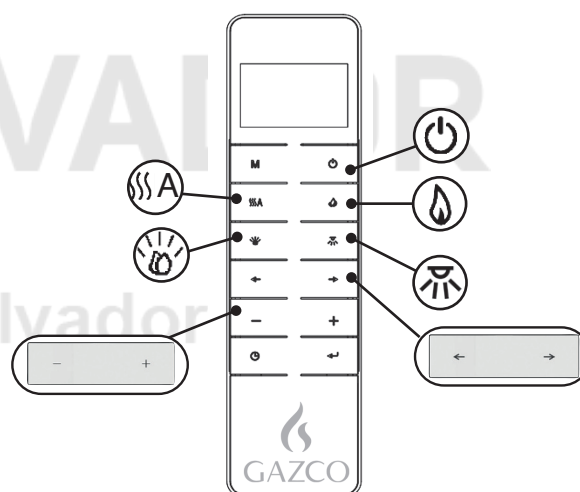
Appuyez sur 5 pour sélectionner la couleur du lit de combustible ou revenir à la position ARRÊT.

Il existe quatorze options de couleur de lit de combustible.

Remarque : Les fonctions d'éclairage de l'appareil seront effacées lorsque l'interrupteur sera placé sur la position Arrêt ou si la télécommande est déchargée.

COMMANDES À DISTANCE

La télécommande doit être posée sur une surface plane dans la pièce où l'appareil est installé et loin du courant d'air chaud direct.



- Alimentation

- Chauffage/ Avance

- Flamme

- Lit de combustible

- Bande lumineuse d'ambiance

- Options de couleur

- Niveaux

UTILISATION DE L'APPAREIL - DÉMARRAGE RAPIDE

Allumer/éteindre l'appareil
L'appareil démarrera sur le dernier réglage enregistré.

Allumer/éteindre le chauffage.

- Augmente ou diminue la chaleur émise.

Allumer/éteindre l'effet flamme.

- Changer l'option de couleur.
Il existe trois options de couleur de flamme.

- Augmente ou diminue le niveau de luminosité.

Allumer/éteindre l'effet du lit de combustible.

- Changer l'option de couleur.
Il existe quatorze options de couleur de lit de combustible.

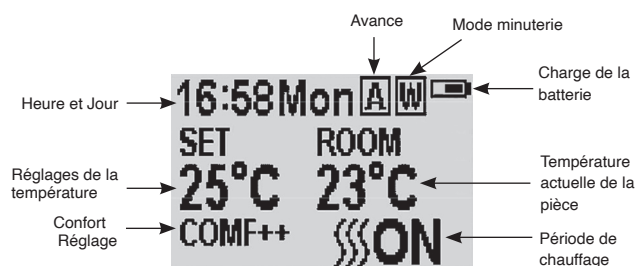
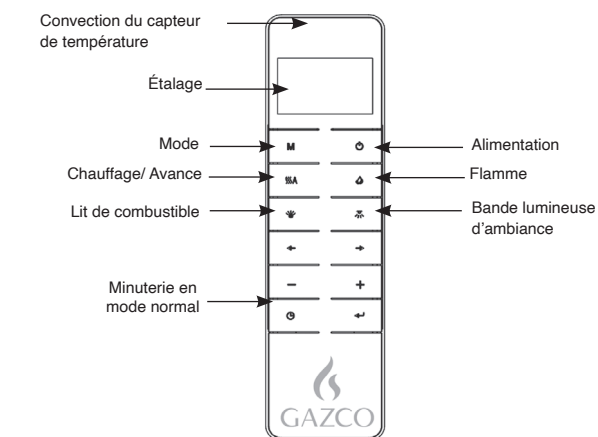
- Augmente ou diminue le niveau de luminosité.

Allumer/éteindre la bande lumineuse d'ambiance.

- Changer l'option de couleur.
Il existe quatorze options.

- Augmente ou diminue le niveau de luminosité.

UTILISATION DE L'APPAREIL - FONCTIONNEMENT AVANCÉ



MISE SOUS/HORS TENSION

Appuyez sur le bouton pour activer l'effet flamme.

Appuyez sur le bouton pour désactiver toutes les fonctions en mode de commande de chauffage normal y compris l'effet flamme et l'appareil de chauffage du ventilateur.

Appuyez sur le bouton pour désactiver l'effet flamme en mode de chauffage minuté quotidien et hebdomadaire.

RÉGLAGE DE L'UNITÉ ET DE LA TEMPÉRATURE DE CONFORT/JOURS DE LA SEMAINE/HEURE

Veillez à bien régler l'horloge.

Maintenez le **M** bouton pressé pendant 3 secondes pour entrer dans l'écran de réglage.

Appuyez sur le bouton '←' ou '→' pour choisir le paramètre à changer.

Le caractère sélectionné sera mis en surbrillance.

Mon 16:58

Comf: 21°C

Appuyez sur le bouton '+' ou '-' pour régler le nombre.

Heure : Système 24 heures.
Sélectionnez une température de confort entre 15-25°C.
Unité de température : °C/°F.

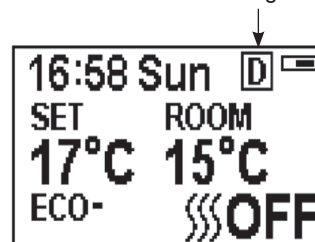
Appuyez sur le bouton pendant 3 secondes ou attendez 10 secondes pour enregistrer et quitter le réglage de la semaine, heure et température.

CHAUFFAGE À MINUTERIE QUOTIDIENNE

Les périodes de chauffage suivantes ont été prédéfinies, celles-ci peuvent être modifiées selon les besoins :

06:00 jusqu'à 08:00
17:00 jusqu'à 22:00

Appuyez sur **M** jusqu'à ce que **D** s'affiche en haut à droite de l'écran pour passer en mode de chauffage à minuterie quotidienne.



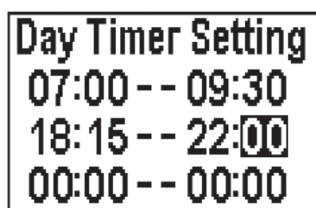
Maintenez le bouton pressé pendant 6 secondes pour entrer dans le paramètre du chauffage quotidien.

3 périodes de chauffage minutées maximum peuvent par configurées par jour.

Appuyez sur '←' ou '→' pour choisir heure ou minute.

Appuyez sur '+' ou '-' pour régler le nombre.

Les minutes augmentent / diminuent de 15 par pression.



Maintenez le bouton ← pressé pendant 3 secondes ou attendez 10 secondes pour enregistrer et quitter le réglage de la période de chauffage.

Contrôlez le réglage de la minuterie. Appuyez sur ← pour contrôler le mode minuterie quotidienne.

Si le chauffage doit être arrêté, il faudra revenir en arrière au Mode de commande normale pour l'arrêter.

Lorsque vous êtes en Mode minuterie quotidienne, l'arrêt de l'appareil avec la télécommande coupera la puissance calorifique. La puissance calorifique se poursuivra selon les réglages de la minuterie.

RÉGLAGE DE LA TEMPÉRATURE DÉFINIE

Appuyez sur le bouton '+' ou '-' pour augmenter ou réduire la température sur la base de la température COMF.

COMF signifie que la température actuelle est la même que le réglage.

ECO signifie que la température actuelle est 2°C inférieure à la température du réglage.

ECO- signifie 4°C inférieure.


COMF+ signifie 2°C supérieure.

COMF++ signifie 4°C supérieure.

COMMANDE DE MISE EN ROUTE ADAPTIVE

Selon la température de la pièce et la température définie, l'appareil de chauffage déterminera automatiquement l'heure appropriée à laquelle chauffer pour s'assurer qu'elle atteindra la température définie dans la durée définie (jusqu'à 45 minutes avant l'heure définie).

AJUSTEMENT DE LA COULEUR DE LA FLAMME

Appuyez sur le bouton  pour entrer dans l'écran d'ajustement de la flamme.

Il y a 3 options de couleur de flamme, indiquées par le nombre.

Il y a 6 niveaux de luminosité, y compris arrêt. Ceci est indiqué par la barre, avec la barre vierge indiquant arrêt.




Appuyez sur le bouton '←' ou '→' pour parcourir les options de couleur de flamme.

Appuyez sur le bouton '+' pour augmenter la luminosité de la flamme.

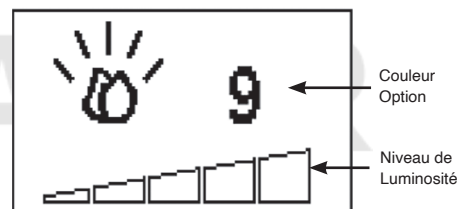
Appuyez sur le bouton '-' pour réduire la luminosité de la flamme jusqu'à l'éteindre.

AJUSTEMENT DE LA COULEUR DU LIT DE COMBUSTIBLE

Appuyez sur  pour entrer dans l'écran d'ajustement de la lumière du lit de combustible.

Il y a 14 options de couleur de lit de combustible, indiquées par le nombre.

Il y a 6 niveaux de luminosité, y compris arrêt. Ceci est indiqué par la barre, avec la barre vierge indiquant arrêt.




Appuyez sur le bouton '←' ou '→' pour parcourir les options de couleur de lit de combustible.

Appuyez sur le bouton '+' pour augmenter la luminosité du lit de combustible.

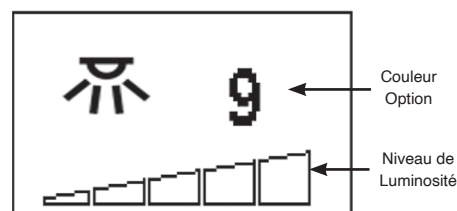
Appuyez sur le bouton '-' pour réduire la luminosité du lit de combustible jusqu'à l'éteindre.

AJUSTEMENT DE LA BANDE LUMINEUSE D'AMBIANCE

Appuyez sur  pour entrer dans l'écran d'ajustement de la lumière.

Il y a 14 options de couleur, indiquées par le nombre.

Il y a 6 niveaux de luminosité, y compris arrêt. Ceci est indiqué par la barre, avec la barre vierge indiquant arrêt.



Appuyez sur le bouton '←' ou '→' pour parcourir les options de couleur.

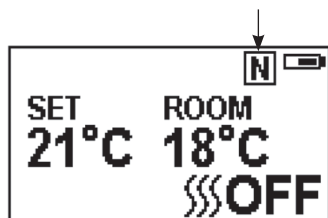
Appuyez sur le bouton '+' pour augmenter la luminosité.

Appuyez sur le bouton '-' pour réduire la luminosité jusqu'à l'éteindre.

MODE DE COMMANDE NORMALE

Le Mode de commande normale est le réglage par défaut.

Sinon appuyez sur le bouton **M** jusqu'à ce que le logo **N** s'affiche en haut à droite de l'écran.



Appuyez sur le bouton '+' ou '-' pour régler la température entre 17 °C et 25°C.

Appuyez sur le bouton **A** pour mettre sous/hors tension l'appareil de chauffage, **MARCHE** ou **ARRÊT** s'affichera en bas à droite de l'écran.



Remarque : Il est normal que l'appareil de chauffage à ventilateur s'arrête de fonctionner pendant certaines durées. Ceci se produit lorsque la température de la pièce est supérieure à la température définie sur la commande.

L'indicateur de chauffage s'éteindra au bout de 10 s si la flamme est allumée. L'indicateur de chauffage restera allumé si seule la fonction chauffage est utilisée.

Lorsque vous êtes en Mode de commande normale, l'arrêt de l'appareil avec la télécommande coupera la puissance calorifique et la lumière.

COMPTE À REBOURS

Ce réglage est uniquement en mode de commande de chauffage normale. Il permet à l'appareil de revenir en mode de veille après un certain temps. L'appareil de chauffage doit être mis en marche pour utiliser cette fonction.

Appuyez sur **0.5h** pour parcourir les réglages d'Arrêt et 0,5 heures à 9 heures. Le logo de la minuterie et le temps restant s'afficheront à l'écran.

Le chauffage de l'appareil peut être lancé automatiquement en utilisant la minuterie quotidienne et la minuterie hebdomadaire sur la télécommande.

CHAUFFAGE À MINUTERIE HEBDOMADAIRE

Les périodes de chauffage suivantes ont été prédéfinies, celles-ci peuvent être modifiées selon les besoins:

Du lundi au vendredi
06:00 jusqu'à 08:30
17:00 jusqu'à 22:00

Du samedi au dimanche
06:30 jusqu'à 09:30
11:00 jusqu'à 13:00
17:00 jusqu'à 22:00

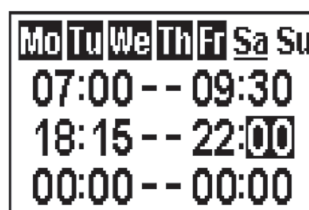
Appuyez sur **M** jusqu'à ce que **W** s'affiche en haut à droite de l'écran pour passer en mode de chauffage semaine.



Maintenez le bouton **←** pressé pendant 6 secondes pour entrer dans le réglage du mode de chauffage à minuterie hebdomadaire.

Appuyez sur '**←**' ou '**→**' pour déplacer le curseur (un caractère de soulignement clignotant).

Appuyez sur le bouton **←** à la position semaine correspondante pour sélectionner (le caractère est en surbrillance) ou annuler (le caractère est affiché normalement) le réglage actuel, la même durée peut être sélectionnée.



Appuyez sur le bouton '**→**' pour déplacer le curseur dans la même zone de réglage de durée.

Appuyez sur le bouton '**←**' ou '**→**' pour choisir heure ou minute.

Appuyez sur '+' ou '-' pour régler le nombre.

3 périodes de chauffage minutées maximum peuvent par configurées par jour.

Les minutes augmentent / diminuent de 15 par pression.

Appuyez sur **←** pour définir l'heure de chauffage du jour sélectionné et retourner à la ligne semaine.

Maintenez le bouton **←** pressé pendant 3 secondes ou attendez 10 secondes pour enregistrer et quitter le réglage de la période de chauffage.

Appuyez sur **←** '**←**' ou '**→**' pour contrôler le réglage de la minuterie pour le mode de chauffage à minuterie hebdomadaire.

Si le chauffage doit être arrêté, il faudra revenir en arrière au Mode de commande normale pour l'arrêter.

Lorsque vous êtes en Mode minuterie hebdomadaire, l'arrêt de l'appareil avec la télécommande coupera la puissance calorifique. La puissance calorifique se poursuivra selon les réglages de la minuterie.

RÉGLAGE DE LA TEMPÉRATURE DÉFINIE

Appuyez sur le bouton '+' ou '-' pour augmenter ou réduire la température sur la base de la température COMF.

COMF signifie que la température actuelle est la même que le réglage.

ECO signifie que la température actuelle est 2°C inférieure à la température du réglage.

ECO- signifie 4°C inférieure.

COMF+ signifie 2°C supérieure.

COMF++ signifie 4°C supérieure.

COMMANDE DE MISE EN ROUTE ADAPTIVE

Selon la température de la pièce et la température définie, l'appareil de chauffage déterminera automatiquement l'heure appropriée à laquelle chauffer pour s'assurer qu'elle atteindra la température définie dans la durée définie (jusqu'à 45 minutes avant l'heure définie).

MODE AVANCE

L'état de chauffage peut être avancé à la période suivante en mode chauffage à minuterie hebdomadaire et quotidienne.



Si le chauffage est activé dans la période en cours, une pression sur le bouton désactivera le chauffage.

Si le chauffage est désactivé dans la période en cours, une pression sur le bouton activera le chauffage.

L'activation/désactivation du chauffage en cours dépendra également de la température de la pièce et du réglage.

Appuyez sur **[[[A** pour passer en mode Avance sous le mode de chauffage à minuterie hebdomadaire et quotidienne, **[A]** s'affichera en haut à droite de l'écran.

Appuyez sur **[[[A** à nouveau ou attendez la fin de la durée de la minuterie pour quitter le mode Avance.

DÉTECTION DE FENÊTRE OUVERTE

Lorsque l'émetteur détecte une chute rapide de la température de la pièce, elle sera considérée comme une fenêtre ouverte : l'icône d'avertissement s'affichera et le chauffage sera automatiquement désactivé.



Une fois que la température ambiante aura remonté ou après une intervention manuelle (en utilisant la télécommande), il retournera à l'état de fonctionnement normal.

UTILISATION DE L'APPAREIL - DÉPANNAGE

BATTERIE

Le niveau de puissance de la batterie est indiqué en haut à droite de l'écran de la télécommande.

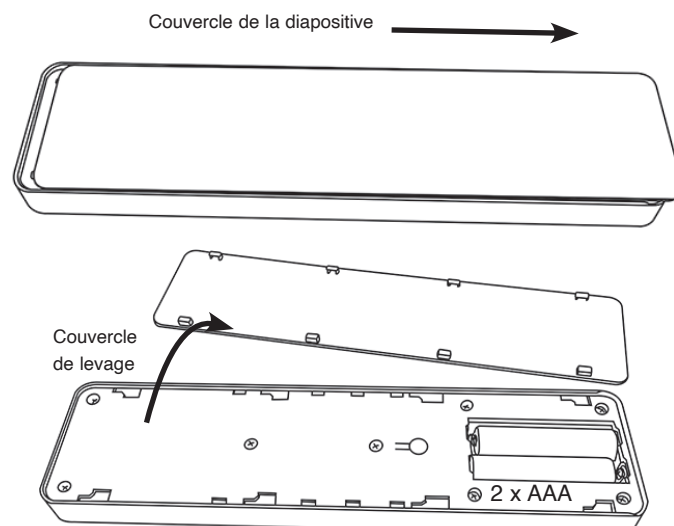
	Batterie chargée	Aucune action requise
	Batterie à moitié chargée	Veillez à avoir des piles neuves à disposition.
	Batterie déchargée	Changez immédiatement les piles

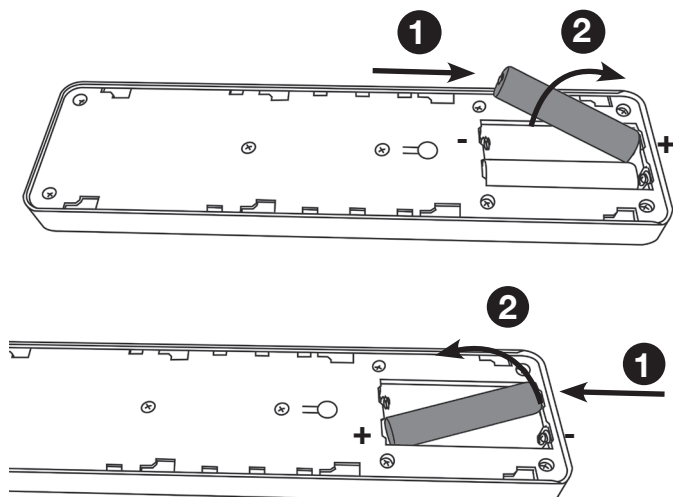


REMARQUE : la télécommande comporte un témoin de piles (coin supérieur droit) ; après un affichage prolongé de l'état vide, l'écran LED cessera de fonctionner même si la télécommande peut encore envoyer des commandes. Remplacer les piles pour rétablir l'affichage.

REPLACEMENT DE LA BATTERIE

Les piles épuisées doivent être retirées de l'appareil et éliminées en toute sécurité.





Veiller à ce que les piles électriques de la télécommande soient neuves et insérées correctement.

Lors du remplacement des piles, veiller à disposer des vieilles piles conformément à la bonne pratique.

Un remplacement de la batterie est recommandé au bout de 1 an. La Télécommande a besoin de deux piles alcalines AAA 1,5V.

Assurez-vous que la polarité est correcte.
Ne court-circuitez pas les bornes.

N'essayez pas de recharger des piles non rechargeables.

Retirez les piles rechargeables avant de les charger.

Ne mélangez pas des piles anciennes et neuves.

Retirez les piles si l'appareil n'est pas utilisé pendant de longues périodes.

Le changement des piles n'affectera pas les réglages du Mode minuterie, toutefois, l'horloge devra peut-être être réglée.



REMARQUE : Pour utiliser les fonctions de la télécommande et manuelles, l'interrupteur marche/arrêt manuel doit être sur la position 'ON'. Pour éviter une surchauffe du produit, il y a un délai de 10 s lors de la mise en marche de l'appareil de chauffage et un délai de 10 s lors de l'arrêt du ventilateur de l'appareil de chauffage.

Le bouton manuel commande les fonctions de base, pas toutes les commandes. Utilisez la télécommande pour exécuter toutes les commandes.

INDICATEURS DE FONCTIONNEMENT DE L'APPAREIL DE CHAUFFAGE

Lorsque l'appareil de chauffage du ventilateur est utilisé avec les effets flamme ou lit de combustible, les indicateurs de fonctionnement de l'appareil de chauffage s'allumeront pendant 10 secondes.

Les LED s'allumeront pendant 10 secondes si l'effet flamme ou lit de combustible est Activé.

Si l'appareil de chauffage du ventilateur est utilisé indépendamment, les indicateurs de fonctionnement de l'appareil de chauffage resteront allumés.

BOUTON RÉINITIALISATION DE LA TÉLÉCOMMANDE

Si le casque perd le signal ou doit être remplacé, veuillez consulter la Instructions réparation pour en savoir plus.

CODE DE SIGNAL

La télécommande fonctionne par signal radio. L'émetteur portatif est configuré en usine avec un code de signal unique.

IMPORTANT : Si le casque perd le signal ou doit être remplacé, veuillez consulter la Section réparation pour en savoir plus.

MAINTENANCE

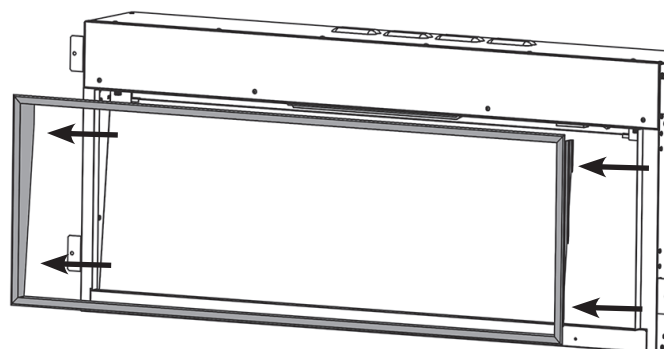
TOUJOURS COUPER L'ALIMENTATION ÉLECTRIQUE PRINCIPALE AVANT D'ENTREPRENDRE LE NETTOYAGE OU L'EXÉCUTION DE LA MAINTENANCE.

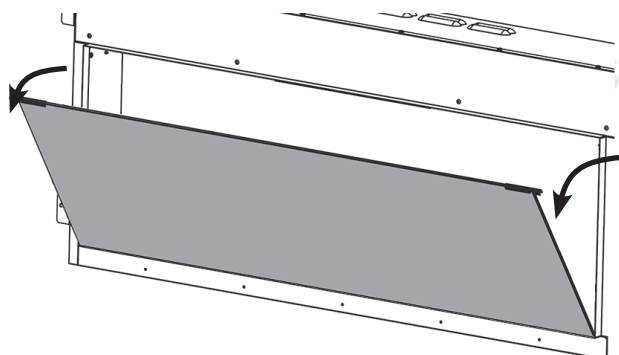
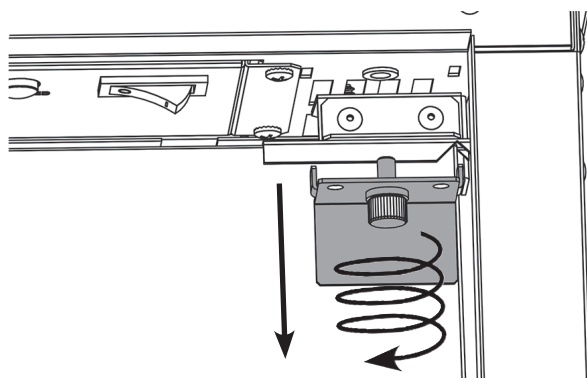
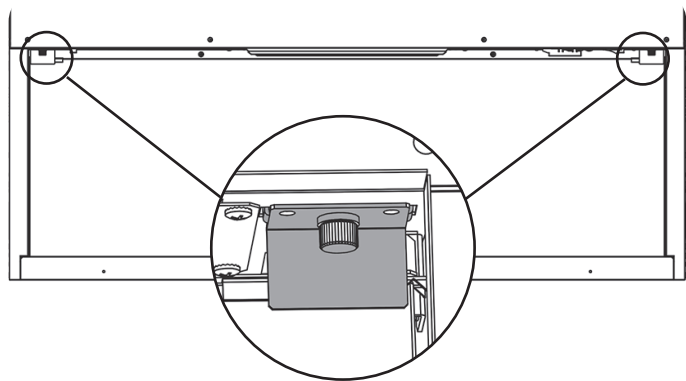
VERRE NETTOYAGE

Essuyer le panneau vitré d'observation avec un chiffon humide et le polir avec un chiffon non pelucheux.

Attention : ne pas utiliser de nettoyeurs abrasifs sur le panneau en verre. Ne pas projeter de liquide directement sur les surfaces de l'appareil.

NETTOYAGE DE L'EFFET DE CARBURANT





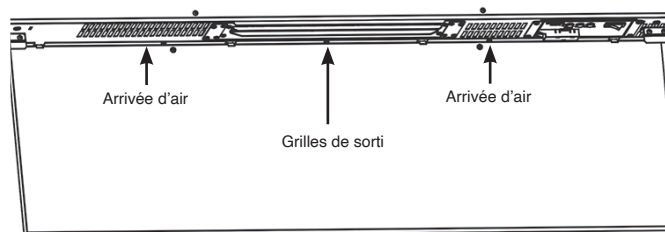
Déposer et laver l'effet combustible pour éliminer toute particule de poussière. Autrement, le nettoyer avec un chiffon sans peluches. **Veiller à ce que l'effet soit sec avant de le remettre en place.**

Lors du remplacement des effets combustibles, voir Installation, pour obtenir les instructions d'agencement.

Remonter dans l'ordre inverse.

NETTOYAGE DES ARRIVÉES D'AIR

Nettoyer l'arrivée d'air et les grilles de sortie régulièrement à l'aide d'un chiffon doux ou du bec d'un aspirateur.



L'accumulation de poussière réduit l'efficacité du ventilateur et peut provoquer le déclenchement du dispositif d'arrêt d'urgence.

Maintenir les alentours du poêle propres et libres de peluche, de poussière ou de poils d'animaux.

En particulier, l'accumulation de poussière etc. peut avoir lieu autour de la zone de chauffage sur le haut de l'appareil. Prendre particulièrement soin de maintenir cette surface libre de débris régulièrement pour éviter l'accumulation.

INSTALLATION

GÉNÉRAL

OUTILS NÉCESSAIRES

Un tournevis, un niveau et une perceuse.

DÉBALLAGE DE L'APPAREIL

ATTENTION ! NE PAS utiliser cet appareil si l'un de ses composants a été exposé à l'eau.

Faire appel immédiatement à un technicien de service qualifié pour inspecter et remplacer tout composant du système électrique, le cas échéant.

Ouvrir l'emballage avec précaution et enlever le polystyrène. Enlever et disposer du sac en plastique. Conserver les emballages en plastique hors de la portée des enfants. Soyez responsable lors de la manutention des matériaux d'emballage.

Avant de disposer de l'emballage, vérifier qu'il ne contient aucun composant ou accessoire. Au besoin, conserver l'emballage d'origine pour un transport et/ou entreposage futur.

Testez l'appareil avant l'utilisation.

INSTALLATION DE L'APPAREIL

CHOIX DE L'EMPLACEMENT DU ESTUDIO ÉLECTRIQUE

Votre nouveau eStudio Électrique peut être installé pratiquement n'importe où chez vous. Toutefois lors du choix de l'emplacement respecter les instructions générales suivantes.

Dans l'idéal, l'appareil de chauffage doit être installé dans/sur un mur plat interne à ossature ou en blocs de plâtre/briques. Les fixations fournies sont RÉSERVÉES aux murs en brique. Veillez à utiliser des fixations adaptées lors de l'installation sur un mur creux ou dans une cavité pratiquée sur mesure. REMARQUE : Cet appareil ne doit pas être installé sur un mur creux, contre un mur extérieur, une cheminée ouverte ou une ouverture pouvant être sujette à l'humidité ou aux courants d'air, à moins d'avoir pris des précautions adéquates pour éviter que l'appareil n'entre en contact avec l'humidité ou des courants d'air excessifs. Dans de telles installations, toute cheminée existante et/ou ventilations spécifiquement doivent être entièrement fermées.

Pour les meilleurs résultats possibles, éviter de l'installer directement en plein soleil.

L'appareil doit être installé dans une enceinte à ossature murale spécialement conçue à cet effet. Veillez à utiliser des fixations adaptées lors de l'installation sur un mur creux.

Assurez-vous qu'il n'y a pas de tuyaux ou de câbles derrière la zone à être percés ou coupés.

Veillez toujours à ce que l'appareil soit soutenu de manière adéquate et soit posé sur une structure solide lors du montage au-dessus du sol.

INSTRUCTIONS D'ENTRETIEN



PENDANT ENTRETIEN DE L'APPAREIL, IL PEUT ÊTRE NECESSAIRE DE COUPER LES LIENS DE CÂBLE POUR ACCÈS ET À LEVER CERTAINES DES PARTIES. IL FAUT LES REMPLACER LORS DU REMONTAGE L'APPAREIL.

LA MAINTENANCE DE CET APPAREIL NE DOIT ÊTRE EFFECTUÉE QUE PAR UNE PERSONNE QUALIFIÉE. AVANT D'EFFECTUER DES TRAVAUX SUR L'APPAREIL: ARRÊTER L'APPAREIL ET ISOLER L'ALIMENTATION ÉLECTRIQUE EN VÉRIFIANT QUE L'APPAREIL N'EST PLUS ALIMENTÉ.

Attendre au moins 10 minutes jusqu'à ce que l'appareil soit froid.

Remplacement de la pile électrique de la télécommande

La remplacer avec 2 x pile électrique de type AAA. Vérifier que la pile est installée correctement dans la télécommande.



REMARQUE : la télécommande comporte un témoin de piles (coin supérieur droit) ; après un affichage prolongé de l'état vide, l'écran LED cessera de fonctionner même si la télécommande peut encore envoyer des commandes. Remplacer les piles pour rétablir l'affichage.

Maintenance des moteurs

Les moteurs du ventilateur et de l'effet flamme sont prégraissés pour prolonger la durée de vie des roulements et ne nécessitent aucun graissage supplémentaire. Toutefois, il est recommandé de nettoyer à l'aide d'un aspirateur périodiquement l'unité ventilateur/ chauffage.

Réenclenchement du disjoncteur thermique

L'appareil est équipé d'un dispositif de sécurité électronique. C'est un dispositif de sécurité qui éteint l'appareil en cas de surchauffe de celui-ci, par ex. lorsqu'il est recouvert.

Si le chauffage s'arrête alors que l'effet flamme continu normalement, cela indique que le dispositif de sécurité est en cours de fonctionnement.

Le dispositif de sécurité ne peut être réenclenché que lorsque l'appareil est froid.

Réenclenchement du dispositif de sécurité :

Éteindre l'appareil (interrupteur manuel On/Off) et le laisser refroidir pendant 120 minutes.

Dégager toute obstruction de la sortie du ventilateur de chauffage ou de toutes autres parties internes.

Allumer l'appareil et le dispositif de sécurité se réenclenchera.

Vérifier que l'appareil fonctionne correctement. Si le dispositif de contrôle se déclenche de nouveau, l'appareil doit être vérifié par un électricien compétent.

WICHTIG

TEILE DES AUSSENGEHÄUSES DIESES GERÄTS WERDEN VOM HERSTELLER ALS WIRKFLÄCHE BETRACHTET, DIE HEISS WIRD, WENN DAS HEIZGERÄT EINGESCHALTET WIRD. ES WIRD DAHER EMPFOHLEN, IN DER ANWESENHEIT VON KLEINEN KINDERN, ÄLTEREN ODER GEBRECHLICHEN MENSCHEN EIN KAMINGITTER ZU VERWENDEN, DAS BS 8423 (AKTUELLE VERSION) ENTSPRICHT.

DAS AUSLASSGITTER DES HEIZGERÄTS WIRD IM BETRIEB SEHR HEISS. DECKEN SIE DAS AUSLASSGITTER ODER ANDERE TEILE DES GERÄTS NICHT AB.

Nur für die Verwendung mit 230 V 50 Hz Stromanschluss.

Bitte lesen Sie diese Anleitung vor der Installation sorgfältig durch und bewahren Sie sie an einem sicheren Ort auf.

Die enthaltenen Anweisungen werden benötigt, wenn eine Wartung oder Instandhaltung erforderlich ist.

DIESES GERÄT MUSS GEERDET WERDEN

DIESES PRODUKT IST NUR FÜR GUT ISOLIERTE RÄUME UND GELEGENTLICHEN GEBRAUCH GEEIGNET.

WICHTIGE INFORMATIONEN ZU GESUNDHEIT UND SICHERHEIT

Lesen Sie alle Anweisungen sorgfältig durch, bevor Sie das Gerät verwenden.

Entfernen Sie alle Verpackungen und entsorgen Sie diese in einer geeigneten Recyclinganlage.

Stellen Sie dieses Gerät nicht unmittelbar unter einer festen Steckdose auf.

Teile des Außengehäuses dieses Geräts werden vom Hersteller als Wirkfläche betrachtet, die heiß wird, wenn das Heizgerät eingeschaltet wird. Zum Schutz von Kindern, älteren und gebrechlichen Personen müssen Sie ein geeignetes Kamingitter verwenden.

Verwenden Sie dieses Gerät nicht in der unmittelbaren Umgebung einer Badewanne, einer Dusche, eines Schwimmbeckens oder in einem anderen Bereich, in dem das Gerät mit Wasser oder Feuchtigkeit in Berührung kommen könnte, z. B. in einem Badezimmer.

**ACHTUNG! NICHT ABDECKEN**

Achten Sie darauf, dass das Gerät nicht abgedeckt und der Lufteinlass/-auslass nicht blockiert wird, da das Gerät sonst überhitzen kann. Beachten Sie das Warnsymbol auf dem Gerät (siehe oben).

Nur zur Verwendung in geschlossenen Räumen. Dieses Gerät ist nicht für den Gebrauch im Freien geeignet.

Dieses Gerät muss in einem speziell dafür vorgesehenen Stollengehäuse installiert werden. Stellen Sie sicher, dass das Gerät eben ist und dass Möbel, Vorhänge usw. nicht näher als 1 m positioniert sind.

Falls das Netzkabel durch Mauerwerk, eine Steinumrandung o. Ä. geführt werden muss, stellen Sie sicher, dass geeignete Gummibuchsen an den möglichen Scheuerstellen angebracht werden.

Bei der Installation in einem offenen Kamin muss der Schornstein abgedeckt werden, um das Risiko eines Windzugs zu verringern, der zum Auslösen der Sicherheitsabschaltung führen kann.

Halten Sie das Stromkabel fern von heißen Flächen und hohen Temperaturen. Führen Sie das Stromkabel nicht vor dem Gerät entlang.

Der Stecker muss nach der Montage des Gerätes noch zugänglich sein.

Verwenden Sie das Gerät bei Beschädigung des Netzkabels nicht, bis das Kabel ersetzt worden ist. Aus Sicherheitsgründen muss der Austausch von einem Gazco-Service Mitarbeiter oder einer Elektrofachkraft durchgeführt werden.

VORSICHT: Um eine Gefährdung durch versehentliches Rücksetzen des Thermoschutzes zu vermeiden, darf dieses Gerät nicht über ein externes Schaltgerät, wie z. B. eine Zeitschaltuhr oder über einen anderen automatischen Ein- und Ausschalter betrieben werden.

Nehmen Sie das Gerät nicht in Betrieb, wenn es beschädigt ist.

Reparaturen an elektrischen Geräten dürfen nur von einer Elektrofachkraft durchgeführt werden. Sollte das Gerät nicht funktionieren oder beschädigt sein, wenden Sie sich bitte an den Händler, bei dem Sie das Gerät erworben haben.

Dieses Gerät darf von Kindern über 8 Jahren sowie von Personen mit verringerten physischen, sensorischen oder mentalen Fähigkeiten oder Mangel an Erfahrung und Wissen benutzt werden, wenn sie beaufsichtigt oder bezüglich des sicheren Gebrauchs des Geräts unterwiesen wurden und ein Verständnis der möglichen Gefahren besitzen. Kinder dürfen nicht mit dem Gerät spielen. Die Reinigung und Benutzerwartung darf nicht von Kindern ohne Aufsicht durchgeführt werden.

Kinder unter 3 Jahren sollten ferngehalten werden, sofern sie nicht ständig beaufsichtigt werden.

Kinder im Alter von 3 bis unter 8 Jahren dürfen das Gerät nur dann ein- und ausschalten, wenn es in der vorgesehenen normalen Betriebsposition aufgestellt oder installiert ist und sie beaufsichtigt oder bezüglich des sicheren Gebrauchs des Geräts unterwiesen wurden und ein Verständnis der möglichen Gefahren besitzen. Kinder zwischen 3 und 8 Jahren dürfen das Gerät nicht einstecken, regulieren und reinigen oder Wartungsarbeiten durchführen.

Vorsicht: Teile dieses Produkts können sehr heiß werden und Verbrennungen verursachen. Besondere Vorsicht ist geboten, wenn Kinder und gefährdete Personen anwesend sind.

Gazco empfiehlt jedoch Folgendes:

Dieses Gerät ist nicht geeignet zur Verwendung durch Personen unter 12 Jahren, Personen mit eingeschränkten physischen, sensorischen bzw. geistigen Fähigkeiten oder Personen, die nicht über die erforderliche Erfahrung und Kenntnis zum sicheren Betrieb des Gerätes verfügen.

Das Gerät darf durch Personen über 12 Jahren betrieben werden, sofern sie zum sicheren Gebrauch des Gerätes angeleitet wurden und ein Verständnis der möglichen Gefahren besitzen. Ebenso dürfen Personen über 12 Jahren das Gerät unter der Aufsicht einer erwachsenen Person betreiben.

Da Teile dieses Gerätes im Betrieb heiß werden, sollten Personen unter 12 Jahren unter keinen Umständen während des Betriebs mit dem Gerät alleine gelassen werden, sofern kein geeignetes Schutzgitter zur Vermeidung eines direkten Berührens des Gerätes verwendet wird.

Kinder dürfen nicht mit dem Gerät spielen.

Die Reinigung und Benutzerwartung darf nicht von Kindern ohne Aufsicht durchgeführt werden.



www.forjas-salvador.com

BEDIENUNGSANLEITUNG

ACHTUNG! Nehmen Sie das Gerät nicht in Betrieb, wenn es beschädigt ist oder eine Funktionsstörung aufweist. Wenn Sie vermuten, dass das Gerät beschädigt ist oder eine Fehlfunktion aufweist, wenden Sie sich an einen qualifizierten Servicetechniker, der das Gerät überprüft und gegebenenfalls Teile der elektrischen Anlage austauscht, bevor Sie es wieder verwenden.

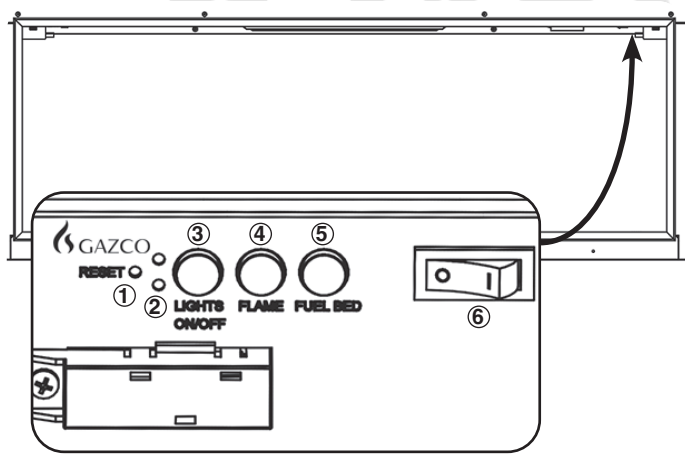
Trennen Sie das Gerät nicht vom Netz, während es in Betrieb ist. Verwenden Sie die Funktionen auf der Fernbedienung, um den Kamin auszuschalten, und vergewissern Sie sich, dass der Netzschalter in die Aus-Stellung gebracht wurde, bevor Sie die Netzverbindung trennen.

Drücken Sie 4, um die Flammenfarbe zu wählen oder zur Position AUS zurückzukehren. Es stehen drei Flammenfarben zur Verfügung.

Drücken Sie 5, um die Farbe des Brennstoffbetts auszuwählen oder zur Position AUS zurückzukehren. Es gibt vierzehn Farboptionen für das Brennstoffbett.

Hinweis: Das Gerät verliert die gespeicherten Einstellungen für die Lichtfunktionen, wenn der Schalter auf die Aus-Position gestellt wird oder die Batterien der Fernbedienung leer sind.

MANUELLES BEDIENFELD



- 1. Fernbedienung Reset-Taste
- 2. Heizungsbetriebsanzeigen
- 3. Gesamte Beleuchtung ein/aus
- 4. Taste für Flammeneinstellung
- 5. Brennstoffbett-Einstelltaste
- 6. Netzschalter Ein/Aus

BEDIENUNG DES GERÄTS

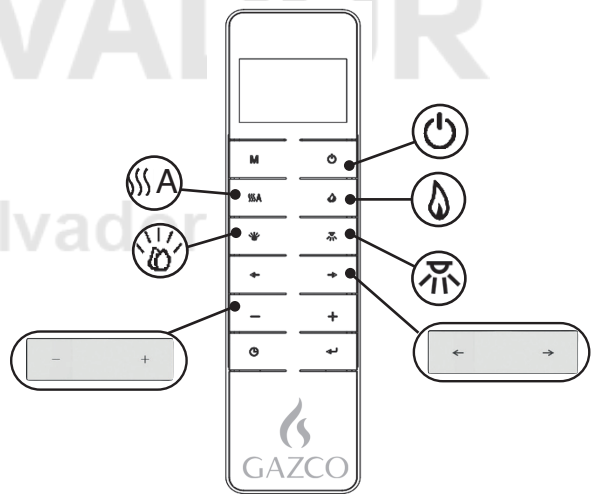
Drücken Sie 6, um das Gerät ein-/auszuschalten.

HINWEIS: Um sowohl die Fernbedienung als auch die manuellen Funktionen nutzen zu können, muss der manuelle Ein/Aus-Schalter in der Position „EIN“ stehen. Um eine Überhitzung des Produkts zu vermeiden, tritt beim Ein- und Ausschalten des Heizungslüfters eine Verzögerung von 10 Sekunden auf. Über das manuelle Bedienfeld werden grundlegende Funktionen gesteuert. Verwenden Sie die Fernbedienung, um sämtliche Funktionen ausführen zu können.

Drücken Sie 3, um Flammen und Brennstoffbett gleichzeitig ein- und auszuschalten.

FERNBEDIENUNG

Die Fernbedienung sollte auf einer ebenen Fläche im gleichen Raum liegen, in dem das Gerät installiert ist, und außerhalb eines direkten Warmluftstroms.



- Ein/Aus
- Heizung
- Flammen
- Brennstoffbett
- Stimmungsbeleuchtung
- Farboption
- Stufen

BEDIENUNG DES GERÄTS - SCHNELLANLEITUNG



Gerät ein-/ausschalten

Das Gerät startet mit der zuletzt gespeicherten Einstellung.



Heizung ein-/ausschalten.

- Heizeleistung erhöhen oder verringern.



Flammeneffekt ein-/ausschalten.

- Farboption ändern.
Es stehen drei Flammenfarben zur Verfügung:

- Helligkeitsstufe erhöhen oder verringern.



Brennstoffbetteffekt ein-/ausschalten.

- Farboption ändern.
Es gibt vierzehn Farboptionen für das Brennstoffbett:

- Helligkeitsstufe erhöhen oder verringern.

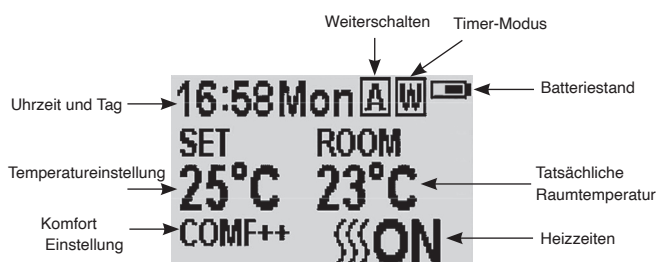
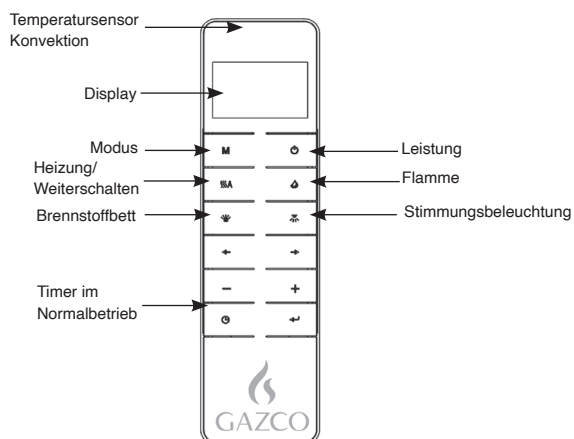


Stimmungsbeleuchtung ein-/ausschalten.

- Farboption ändern.
Es stehen vierzehn Farboptionen zur Verfügung:

- Helligkeitsstufe erhöhen oder verringern.

BEDIENUNG DES GERÄTS - ERWEITERTE BEDIENUNG



EIN-/AUSSCHALTEN

Drücken Sie die Taste, um den Flammeneffekt einzuschalten.

Drücken Sie die Taste, um alle Funktionen im normalen Heizungsregelungsmodus auszuschalten.

Drücken Sie die Taste, um den Flammeneffekt in der Tages- und Wochenzeitschaltuhr auszuschalten.

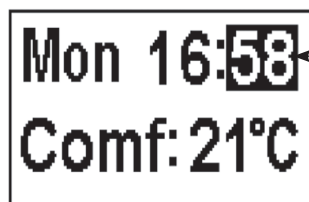
WOCHENTAGE/UHRZEIT/KOMFORTTEMPERATUR UND GERÄTEEINSTELLUNG

Stellen Sie sicher, dass die Uhr auf die richtige Zeit eingestellt ist.

Drücken Sie **M** 3 Sekunden lang.

Drücken Sie auf '←' oder '→' um die Einstellung zu wählen.

Das ausgewählte Zeichen wird hervorgehoben.



Drücken Sie die '+'- oder '-'-Taste, um den Wert anzupassen.

Zeit: 24-Stunden-System.

Wählen Sie eine Komforttemperatur von 15-25 °C.

Temperatureinheit: °C/°F.

Drücken Sie die Taste für 3 Sekunden oder warten Sie 10 Sekunden, um die Einstellung von Woche, Uhrzeit und Heiztemperatur zu speichern und diese Funktion zu verlassen.

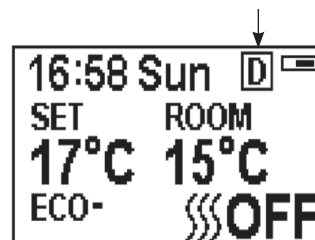
TIMER FÜR TÄGLICHES HEIZEN

Die folgenden Heizzeiten sind voreingestellt, können jedoch bei Bedarf geändert werden:

06:00 bis 08:00

17:00 bis 22:00

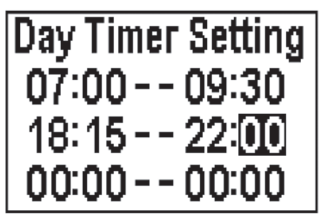
Drücken Sie **M** bis **D** in der oberen rechten Ecke des Displays angezeigt wird.



Halten Sie die Taste 6 Sekunden lang gedrückt. Pro Tag können 3 zeitgesteuerte Heizzeiten eingestellt werden.

Drücken Sie '←' oder '→' um Stunde oder Minute zu wählen.

Drücken Sie '+' oder '-', um den Wert einzustellen. Die Minutenanzeige wird pro Tastendruck um jeweils 15 Min. erhöht/verringert.



Halten Sie die ← Taste 3 Sekunden lang gedrückt oder warten Sie 10 Sekunden, um die Einstellung der Heizzeit zu speichern und diese Funktion zu verlassen.

Drücken Sie ←, um die täglichen Timer-Einstellungen zu überprüfen.

Um die Heizung auszuschalten, kehren Sie in den Normalmodus zurück.

Wenn Sie das Gerät im Tagestimer-Modus mit der Fernbedienung ausschalten, wird die Beleuchtung deaktiviert. Die Heizleistung wird entsprechend der Timer-Einstellungen fortgesetzt.

EINSTELLEN DER SOLLTEMPERATUR

Drücken Sie die Taste '+' oder '-', um die Temperatur auf Basis der COMF-Temperatur zu erhöhen oder zu verringern.

COMF bedeutet, dass die Ist-Temperatur mit der Solltemperatur übereinstimmt.

ECO bedeutet, dass die tatsächliche Temperatur 2 °C niedriger ist als die eingestellte Temperatur.

ECO- bedeutet 4 °C niedriger.

COMF+ bedeutet 2 °C höher.

COMF++ bedeutet 4 °C höher.

ADAPTIVE REGELUNG DES HEIZBEGINNS

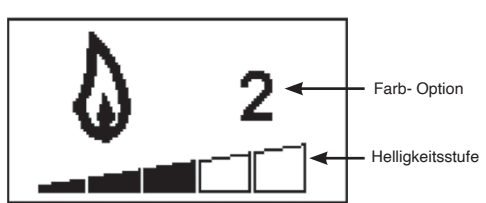
Das Heizgerät ermittelt automatisch die geeignete Zeit zum Aufheizen, um sicherzustellen, dass die Solltemperatur zur eingestellten Zeit erreicht wird (bis zu 45 Minuten vor der eingestellten Zeit).

EINSTELLEN DER FLAMMENFARBE

Drücken Sie die 🔥 Taste.

Es stehen 3 Flammenfarben zur Verfügung.

Es gibt 6 Helligkeitsstufen, einschließlich Aus.



Drücken Sie die '←' oder '→' Taste, um durch die Optionen für die Flammenfarbe zu navigieren.

Drücken Sie die '+' Taste, um die Flammenhelligkeit zu erhöhen.

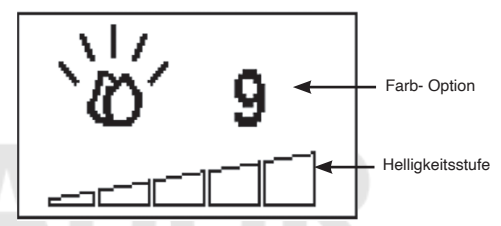
Drücken Sie die Taste '-', um die Flammenhelligkeit bis zum Ausschalten zu verringern.

FARBEINSTELLUNG DES BRENNSTOFFBETTS

Drücken Sie 🔦 um den Bildschirm zur Einstellung der Brennstoffbettbeleuchtung aufzurufen.

Es gibt 14 Farboptionen für das Brennstoffbett.

Es gibt 6 Helligkeitsstufen, einschließlich Aus.



Drücken Sie die '←' oder '→' Taste, um durch die Farboptionen des Brennstoffbetts zu navigieren.

Drücken Sie die '+' Taste, um die Helligkeit des Brennstoffbetts zu erhöhen.

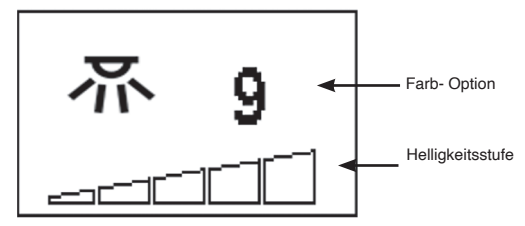
Drücken Sie die '-' Taste, um die Helligkeit des Brennstoffbetts bis zum Ausschalten zu verringern.

FARBEINSTELLUNG DES STIMMUNGSBELEUCHTUNG

Drücken Sie 🌞 um den Bildschirm zur Einstellung aufzurufen.

Es gibt 14 Farboptionen.

Es gibt 6 Helligkeitsstufen, einschließlich Aus.



Drücken Sie die Taste '←' oder '→', um durch die Farboptionen zu navigieren.

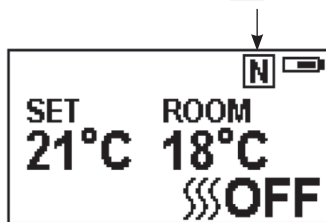
Drücken Sie die '+' Taste, um die Helligkeit zu erhöhen.

Drücken Sie die '-' Taste, um die Helligkeit bis zum Ausschalten zu verringern.

NORMALMODUS

Der Normalmodus ist die Standardeinstellung.

Drücken Sie die **M** Taste, bis das **N** Logo angezeigt wird



Drücken Sie die Taste '+' oder '-', um die Solltemperatur von 17 °C bis 25 °C einzustellen.

Drücken Sie die **[[[A** Taste, um die Heizung ein-/auszuschalten.



Hinweis: Es ist normal, dass der Heizlüfter eine Zeit lang nicht läuft. Dies geschieht, weil die Raumtemperatur über der auf der Fernbedienung eingestellten Temperatur liegt.

Die Heizungsanzeige wird nach 10 Sek. ausgeblendet, wenn die Flamme eingeschaltet wird. Die Heizungsanzeige bleibt aktiviert, wenn nur die Heizfunktion verwendet wird.

Wenn Sie das Gerät im Normalmodus mit der Fernbedienung ausschalten, werden sowohl die Leucht- als auch die Heizfunktion gestoppt.

COUNTDOWN-TIMER

Diese Einstellung ist nur im Normalmodus möglich. Damit kann das Gerät nach einer festgelegten Zeit wieder in den Standby-Modus zurückversetzt werden. Um diese Funktion zu nutzen, muss die Heizung eingeschaltet sein.

Drücken Sie **⌚** um zwischen den Einstellungen AUS, sowie 0,5 Stunden bis 9 Stunden zu wechseln. Das Timer-Logo und die verbleibende Zeit werden auf dem Bildschirm angezeigt.

Die Heizung kann automatisch mit dem täglichen Timer und dem wöchentlichen Timer auf der Fernbedienung betrieben werden.

WOCHENZEITSCHALTUHR HEIZUNG

Die folgenden Heizzeiten wurden voreingestellt, können jedoch bei Bedarf geändert werden:

Von Montag bis Freitag
06:00 bis 08:30
17:00 bis 22:00

Von Samstag bis Sonntag
06:30 bis 09:30
11:00 bis 13:00
17:00 bis 22:00

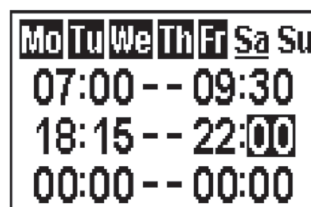
Drücken Sie auf **M** bis **W** angezeigt wird.



Halten Sie die **←** Taste 6 Sekunden lang gedrückt.

Drücken Sie '**←**' oder '**→**' um den Cursor (blinkender Unterstrich) zu bewegen.

Drücken Sie die **←** Taste in der entsprechenden Wochenposition, um die aktuelle Einstellung auszuwählen (das Zeichen wird hervorgehoben) oder abzubrechen (das Zeichen wird normal angezeigt), der gleiche Zeitraum kann gemeinsam ausgewählt werden.



Drücken Sie die '**→**' Taste, um den Cursor zum Einstellbereich für den Zeitraum zu bewegen.

Drücken Sie die '**←**' oder '**→**' Taste, um Stunde oder Minute zu wählen.

Drücken Sie '+' oder '-', um den Wert einzustellen. Es können maximal 3 zeitgesteuerte Heizzeiten pro Tag eingestellt werden.

Die Minutenanzeige wird pro Tastendruck um jeweils 15 Min. erhöht/verringert.

Drücken Sie **←** um die Heizzeit für den gewählten Tag einzustellen und zur Wochenzeile zurückzukehren.

Halten Sie die **←** Taste 3 Sekunden lang gedrückt oder warten Sie 10 Sekunden, um die Einstellung der Heizzeit zu speichern und diese Funktion zu verlassen.

Drücken Sie **←** '**←**' oder '**→**' um die Einstellung der Wochenzeitschaltuhr zu überprüfen

Um die Heizung auszuschalten, kehren Sie in den Normalmodus zurück.

Wenn Sie das Gerät im Wochentimer-Modus mit der Fernbedienung ausschalten, wird die Beleuchtung deaktiviert. Die Heizleistung wird entsprechend der Timer-Einstellungen fortgesetzt.

EINSTELLEN DER SOLLTEMPERATUR

Drücken Sie die Taste '+' oder '-', um die Temperatur auf Basis der COMF-Temperatur zu erhöhen oder zu verringern.

COMF bedeutet, dass die Ist-Temperatur mit der Solltemperatur übereinstimmt.

ECO bedeutet, dass die tatsächliche Temperatur 2 °C niedriger ist als die eingestellte Temperatur.

ECO- bedeutet 4 °C niedriger.

COMF+ bedeutet 2 °C höher.

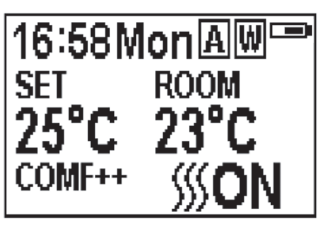
COMF++ bedeutet 4 °C höher.

ADAPTIVE REGELUNG DES HEIZBEGINNS

Das Heizgerät ermittelt automatisch die geeignete Zeit zum Aufheizen, um sicherzustellen, dass die Solltemperatur zur eingestellten Zeit erreicht wird (bis zu 45 Minuten vor der eingestellten Zeit).

WEITERSCHALTMODUS

Sowohl im Tages- als auch im Wochenmodus kann der Heizzustand auf das nächste Zeitfenster weitergeschaltet werden.

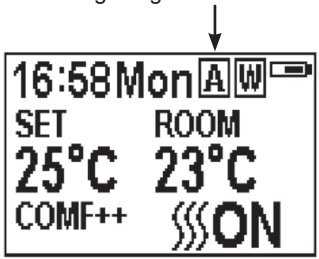


Wenn die Heizung im aktuellen Zeitraum eingeschaltet ist, wird die Heizung durch Drücken der Taste ausgeschaltet.

Wenn die Heizung im aktuellen Zeitraum ausgeschaltet ist, wird die Heizung durch Drücken der Taste eingeschaltet.

Die Heizleistung ist abhängig von der Raumtemperatur und der Solltemperatur.

Drücken Sie **[[[A** um in den Weiterschaltmodus der Tages- oder Wochenzeitschaltuhr zu gelangen.



Durch erneutes Drücken auf **[[[A** oder nach Ablauf der Timerzeit wird der Weiterschaltmodus beendet.

FENSTER-AUF-FUNKTION

Wenn der Temperaturfühler ein schnelles Absinken der Raumtemperatur feststellt, wird dies als offenes Fenster gewertet: Das Warnsymbol erscheint und die Heizung wird automatisch ausgeschaltet.



Nachdem die Innentemperatur angestiegen ist oder die Warnung manuell übergangen wurde (durch Bestätigen der Fernbedienung), kehrt das Gerät in den normalen Betriebszustand zurück.

BEDIENUNG DES GERÄTS - FEHLERBEHEBUNG

BATTERIE

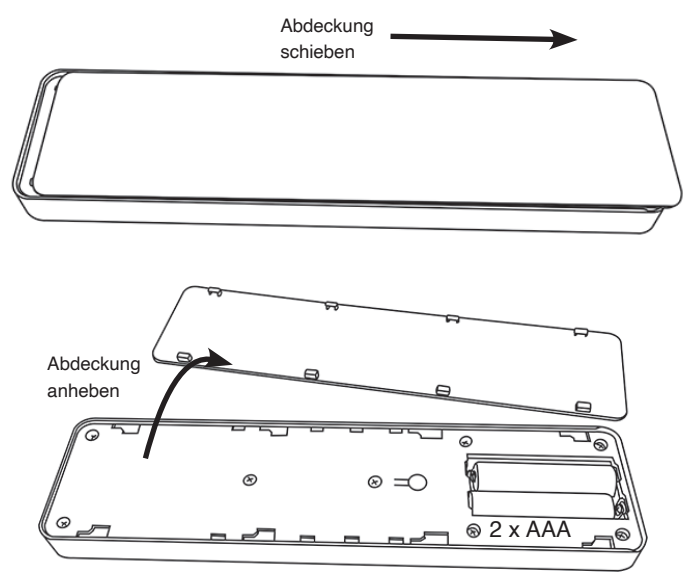
Der Batteriestand wird oben rechts auf der Fernbedienung angezeigt.

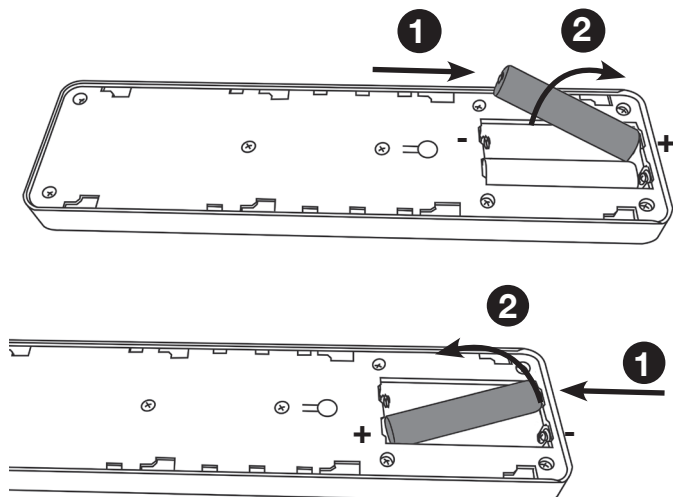
	Batterie voll	Keine Maßnahme erforderlich
	Batterie halb aufgebraucht	Stellen Sie sicher, dass Sie neue Batterien auf Vorrat haben.
	Batterie leer	Batterien sofort austauschen

HINWEIS: Die Fernbedienung verfügt über eine Batteriestatusanzeige (obere rechte Ecke). Nach längerem Betrieb mit leerer Batterie funktioniert der LED-Bildschirm nicht mehr, obwohl die Fernbedienung weiterhin Befehle senden kann. Ersetzen Sie die Batterien, um das Display wiederherzustellen.

AUSTAUSCH DER BATTERIE

Leere Batterien sind aus dem Gerät zu entfernen und sicher zu entsorgen.





Vergewissern Sie sich, dass die Batterien neu sind und richtig eingelegt wurden.

Entsorgen Sie alte Batterien bei einer geeigneten Recyclingstelle.

Es wird ein Batteriewechsel nach 1 Jahr empfohlen.
Die Fernbedienung benötigt zwei 1,5-V-Alkalibatterien vom Typ AAA.

Achten Sie auf die richtige Polarität.
Klemmen nicht kurzschließen.

Versuchen Sie nicht, nicht wiederaufladbare Batterien aufzuladen.

Entfernen Sie wiederaufladbare Batterien vor dem Laden.

Mischen Sie keine alten und neuen Batterien.

Entnehmen Sie die Batterien, wenn das Gerät längere Zeit nicht benutzt wird.

**Das Wechseln der Batterien wirkt sich nicht auf die Einstellungen des Timer-Modus aus.
Stellen Sie sicher, dass die Uhr auf die richtige Zeit eingestellt ist.**

i HINWEIS: Um sowohl die Fernbedienung als auch die manuellen Funktionen nutzen zu können, muss der manuelle Ein/Aus-Schalter in der Position „EIN“ stehen. Um zu verhindern, dass das Gerät zu heiß wird, gibt es eine Verzögerung von 10 Sek. beim Einschalten des Heizelements und eine Verzögerung von 10 Sek. beim Ausschalten des Heizungsgebläses.

Die manuellen Tasten steuern grundlegende Funktionen, jedoch nicht den vollen Umfang der Steuerung. Verwenden Sie die Fernbedienung, um sämtliche Funktionen ausführen zu können.

HEIZUNGSBETRIEBSANZEIGEN

Wenn der Heizlüfter in Verbindung mit den Flammen- oder Brennstoffbetteffekten verwendet wird, leuchten die Heizungsbetriebsanzeigen für 10 Sekunden auf.

Die LEDs leuchten 10 Sekunden lang auf, wenn der Flammen- oder Brennstoffbetteffekt eingeschaltet ist. Wird der Heizlüfter selbstständig betrieben, bleiben die Betriebsanzeigen an.

RESET-TASTE FÜR FERNBEDIENUNG

Wenn die Fernbedienung das Signal verliert oder ausgetauscht werden muss, finden Sie weitere Informationen im Abschnitt „Wartung“.

SIGNALCODE

Die Fernbedienung ist werksseitig mit einem individuellen Signalcode konfiguriert.

WICHTIG! Wenn die Fernbedienung das Signal verliert oder ausgetauscht werden muss, finden Sie weitere Informationen im Abschnitt „Wartung“.

WARTUNG

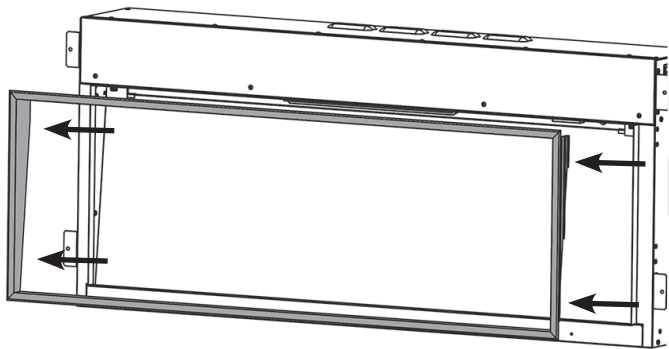
STELLEN SIE VOR DER REINIGUNG SICHER, DASS DAS GERÄT AUSGESCHALTET IST.

GLASREINIGUNG

Wischen Sie die Glassichtscheibe mit einem feuchten Tuch ab und polieren Sie sie mit einem fusselfreien Staubtuch.

Vorsicht! Verwenden Sie keine Scheuermittel für die Glasscheibe. Sprühen Sie keine Flüssigkeiten direkt auf eine Oberfläche des Geräts.

REINIGUNG DES BRENNSTOFFEFFEKTS



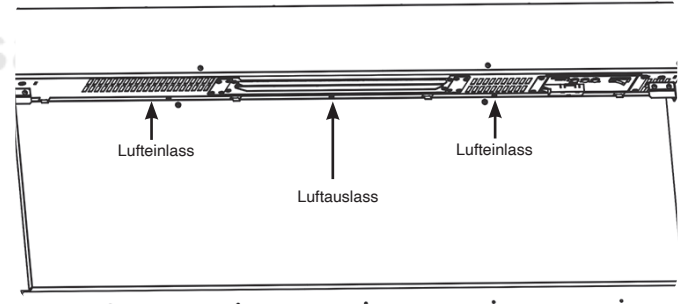
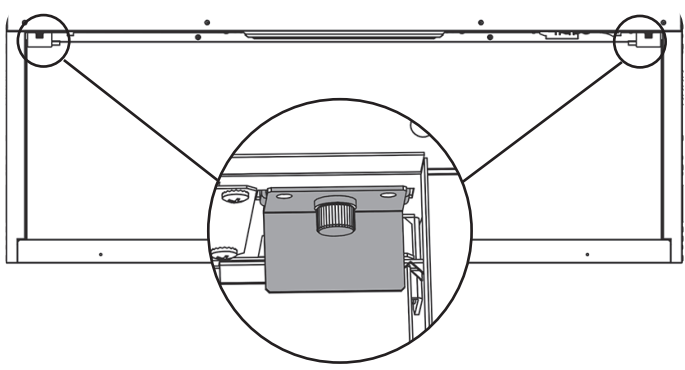
Entfernen und waschen Sie den Brennstoffeffekt, um Staubpartikel zu beseitigen. Alternativ mit einem fusselfreien Staubtuch reinigen. Stellen Sie sicher, dass der Effekt trocken ist, bevor Sie ihn wieder einsetzen.

Setzen Sie den Brennstoffeffekt wieder ein, siehe Installationsanleitung Abschnitt 5 für die Auslegung.

In umgekehrter Reihenfolge wieder einsetzen.

REINIGUNG DER LUFTEINLÄSSE

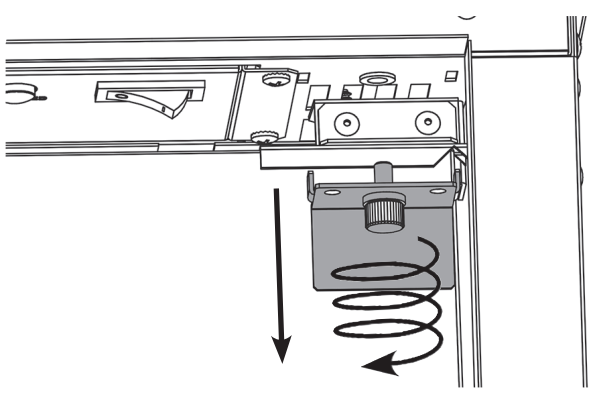
Reinigen Sie die Luftein- und -austrittsgitter regelmäßig mit einem weichen Tuch oder der Düse eines Staubsaugers.



Staubansammlungen können die effiziente Leistung des Lüfters beeinträchtigen und zum Ansprechen der Sicherheitsabschaltung führen.

Halten Sie den Bereich um das Gerät sauber und frei von Flusen, Staub oder Tierhaaren.

Insbesondere kann es um den Heizbereich herum zu Staubbildung usw. kommen. Achten Sie besonders darauf, diesen Bereich regelmäßig zu reinigen, um Ablagerungen zu vermeiden.



EINBAU

ALLGEMEINES

ERFORDERLICHE WERKZEUGE

Es werden Schraubendreher, Wasserwaage, Säge und eine Bohrmaschine benötigt.

AUSPACKEN DES KAMINS

ACHTUNG! VERWENDEN SIE DAS GERÄT NICHT, wenn ein Teil davon mit Wasser in Berührung gekommen ist.

Beauftragen Sie umgehend einen qualifizierten Servicetechniker mit der Inspektion des Gerätes und ggf. dem Austausch von Teilen der elektrischen Anlage.

Öffnen Sie die Verpackung vorsichtig und entfernen Sie das Styropor.

Entfernen und entsorgen Sie den Plastikbeutel.

Halten Sie Plastikverpackungen von Kindern fern.

Gehen Sie verantwortungsvoll mit dem Verpackungsmaterial um.

Prüfen Sie, ob alle Teile und das Zubehör entnommen wurden, bevor Sie die Verpackung entsorgen.

Bewahren Sie ggf. die Originalverpackung für den zukünftigen Transport und/oder die Lagerung auf.

Testen Sie das Gerät vor der Installation.

EINBAU DES GERÄTS

STANDORT FÜR DAS ESTUDIO

Ihr neuer eStudio kann praktisch überall in Ihrem Zuhause installiert werden. Achten Sie jedoch bei der Standortwahl darauf, dass die allgemeinen Anweisungen beachtet werden.

Für eine optimale Funktion sollte das Gerät außerhalb direkter Sonneneinstrahlung montiert werden.

Das Heizgerät sollte idealerweise in/an einer flachen Innenwand montiert werden, die entweder aus Ständerwerk mit Gipskartonplatten oder Mauerwerk besteht. Die mitgelieferten Befestigungen dürfen NUR an Backsteinmauern verwendet werden. Bitte stellen Sie sicher, dass bei der Befestigung in einem vorhandenen oder einem eigens dafür gebauten Hohlraum geeignete Befestigungsmittel verwendet werden.

HINWEIS: Dieses Gerät ist nicht für den Einbau in eine Hohlwand, die Rückwand einer Außenwand, einen offenen Kamin oder in eine Öffnung geeignet, die Feuchtigkeit und Zugluft ausgesetzt sein könnte, es sei denn, es werden angemessene Vorkehrungen getroffen, um zu verhindern, dass das Gerät mit Feuchtigkeit oder übermäßiger Zugluft in Kontakt kommt. Bei solchen Installationen sollten alle vorhandenen Schornsteine und/oder vorhandenen Entlüftungsöffnungen vollständig abgedichtet werden.

Vergewissern Sie sich, dass sich hinter dem zu bohrenden oder zu schneidenden Bereich keine Rohrleitungen oder Kabel befinden.

Achten Sie immer darauf, dass das Gerät ausreichend abgestützt wird und die Wandkonstruktion stabil genug ist, wenn es über Bodenhöhe montiert wird.

Zum einfacheren Anschließen sollte das Gerät idealerweise in der Nähe einer geeigneten Netzsteckdose aufgestellt werden. Die Verlegung einer Verlängerung von einer vorhandenen Steckdose ist möglich, jedoch muss dies durch eine ausreichend qualifizierte Elektrofachkraft erfolgen.

Die Netzsteckdose muss einfach zugänglich sein, um eine Trennung vom Stromnetz bei der Montage des Gerätes zu ermöglichen.

Falls das Netzkabel beschädigt wird, muss es durch den Hersteller, ein autorisiertes Kundendienstzentrum oder eine Elektrofachkraft repariert werden.

Stellen Sie sicher, dass sich keine Vorhänge oder Möbel in der Nähe des gewählten Aufstellortes befinden, da dies eine potenzielle Brandgefahr darstellen oder zum Blockieren der Auslasskanäle des Heizgerätes führen könnte.

ACHTUNG! HALTEN SIE ALLE BRENNBAREN MATERIALIEN MINDESTENS 1 M VON DER VORDERSEITE DES ELEKTROKAMINS FERN.

WARTUNGSANFORDERUNGEN



BEI DER WARTUNG DIESES GERÄTES KANN ES ERFORDERLICH SEIN, KABELVERBINDUNGEN ZU TRENNEN, UM ZUGANG ZU BESTIMMTEN TEILEN ZU ERHALTEN UND DIESE ZU ENTFERNEN. DIESE MÜSSEN WIEDER ANGEBRACHT WERDEN, WENN DAS GERÄT ZUSAMMENGEBAUT WIRD.

DIESES GERÄT DARF NUR VON EINER ENTSPRECHEND QUALIFIZIERTEN PERSON GEWARTET WERDEN. BEVOR SIE ARBEITEN AN DEM GERÄT VORNEHMEN: SCHALTEN SIE DAS GERÄT AUS UND TRENNEN SIE ES VOM NETZ, UM SICHERZUSTELLEN, DASS DAS GERÄT SPANNUNGSFREI IST.

Warten Sie mindestens 10 Minuten, bis das Gerät abgekühlt ist.

Batteriewechsel der Fernbedienung

Setzen Sie 2 neue AAA-Batterien ein. Vergewissern Sie sich, dass die Batterien richtig in der Fernbedienung eingelegt sind.



HINWEIS: Die Fernbedienung verfügt über eine Batteriestatusanzeige (obere rechte Ecke). Nach längerem Betrieb mit leerer Batterie funktioniert der LED-Bildschirm nicht mehr, obwohl die Fernbedienung weiterhin Befehle senden kann. Ersetzen Sie die Batterien, um das Display wiederherzustellen.

Instandhaltung der Motoren

Der für den Flammeneffekt verwendete Motor ist bereits geschmiert, um die Lebensdauer der Lager zu verlängern, und erfordert keine weitere Schmierung. Allerdings wird empfohlen, die Heizeinheit in regelmäßigen Abständen zu reinigen/abzusaugen.

Zurücksetzen des Thermoschutzschalters

Das Gerät ist mit einer elektronischen Sicherheitssteuerung (E.S.) ausgestattet. Dies ist eine Sicherheitseinrichtung, die den Kamin abschaltet, wenn sich das Gerät aus irgendeinem Grund überhitzt, z. B. wenn es abgedeckt wurde.

Stoppt das Heizgerät den Betrieb, während der Flammeneffekt normal weiter betrieben wird, ist dies ein Hinweis darauf, dass die E.S. aktiv ist.

Die E.S. kann erst zurückgesetzt werden, nachdem sich das Gerät abgekühlt hat.

Zurücksetzen der E.S.:

Schalten Sie das Gerät aus (manueller Ein/Aus-Schalter) und lassen Sie es ca. 120 Minuten lang abkühlen.

Entfernen Sie sämtliche Fremdkörper vom Auslass des Heizlüfters bzw. anderen Innenteilen.

Schalten Sie das Gerät ein; die E.S. wird nun zurückgesetzt.

Stellen Sie sicher, dass das Gerät ordnungsgemäß funktioniert.

Falls die E.S. erneut aktiviert wird, sollten Sie dies durch eine Elektrofachkraft überprüfen lassen.

BELANGRIJK

DELEN VAN DE BUITENBEHUIZING VAN DIT APPARAAT WORDEN DOOR DE FABRIKANT BESCHOUWD ALS EEN WERKOPPERVLAK DAT HEET WORDT WANNEER DE VERWARMER IS INGESCHAKELD. HET WORDT DAAROM AANBEVOLEN DAT ER EEN HAARDSCHERM, DAT VOLDOET AAN DE BS 8423 (LAATSTE EDITIE), WORDT GEBRUIKT IN DE AANWEZIGHEID VAN JONGE KINDEREN, OUDEREN OF MINDER VALIDEN.

DE GRILL VAN DE VERWARMINGSUITGANG WORDT ERG HEET TIJDENS DE WERKING. DEK DE UITGANGSGRILL OF EEN ONDERDEEL VAN HET APPARAAT NIET AF.

Voor het gebruik met een 230V 50Hz voeding.
Lees deze instructies vóór de installatie zorgvuldig door en berg het op een veilige plek op.
U zult deze nodig hebben wanneer er onderhoud op de haard uitgevoerd moet worden.
DIT APPARAAT MOET WORDEN GEAARD

DIT PRODUCT IS UITSLUITEND GESCHIKT VOOR GOED GEÏSOLEERDE PLAATSEN OF VOOR INCIDENTEEL GEBRUIK.

BELANGRIJKE INFORMATIE & VEILIGHEIDSVORSCHRIFTEN

Lees de hele handleiding zorgvuldig door, voordat het apparaat gebruikt wordt.

Verwijder al het verpakkingsmateriaal. De verpakking moet op de juiste manier tot afval verwerkt worden.

Plaats deze haard niet rechtstreeks onder een stopcontact.

Delen van de buitenbehuizing van dit apparaat worden door de fabrikant beschouwd als een werkoppervlak dat heet wordt wanneer de verwarmers is ingeschakeld. U dient een geschikt vuurscherm te gebruiken om kinderen, ouden van dagen en de lichamelijke zwakken.

Gebruik deze haard niet in de onmiddellijke nabijheid van een bad, douche of zwembad, of andere gebieden waar de haard met water in contact kan komen.



WAARSCHUWING! NIET BEDEKKEN

WAARSCHUWING Sta niet toe dat de haard afgedekt wordt of de luchtinlaat/afvoer verstopt kan raken omdat het apparaat dan kan oververhitten. Let op het waarschuwingssymbool op het apparaat (zie hierboven).

Alleen voor gebruik binnenshuis. Dit apparaat is niet geschikt voor gebruik buitenshuis.

Dit apparaat moet worden geïnstalleerd in een doelmatig gebouwde, gestuukte omsluiting. Zorg ervoor dat het apparaat even staat en dat de meubels, gordijnen, etc. niet dichterbij 1m bij het apparaat in de buurt zijn.

Wanneer de elektriciteitskabel door een haardstede, stenen omhulsel, enz. geleid moet worden, zorg er dan voor dat er geschikte rubberen bescherming aangebracht wordt op de punten waar slijtage kan optreden.

Indien de haard in een open haardstede geïnstalleerd wordt, sluit de schoorsteen dan af om het risico van tocht achter de haard te verminderen. Dit kan ertoe leiden dat de beveiliging de haard uitschakelt.

Houd het elektriciteits snoer uit de buurt van hete oppervlakten en voorwerpen. Laat hetelektriciteits snoer niet langs de voorkant van het apparaat lopen.

Wanneer de haard geïnstalleerd is moet de stekker toegankelijk zijn.

Indien de elektriciteitskabel beschadigd is, gebruik het apparaat dan niet totdat het vervangen is. Om veiligheidsredenen moet Gazco, een Gazco servicebedrijf of een elektricien met een gelijksoortige ervaring de haard vervangen.

WAARSCHUWING: Om een gevaar veroorzaakt door het onachtzaam resetten van de thermische beveiliging te voorkomen, mag dit toestel niet worden gevoed door een extern schakelapparaat, zoals een timer, en niet worden aangesloten op een circuit dat geregeld wordt aan- en uitgeschakeld door de utiliteit.

Het apparaat niet gebruiken als het beschadigd is.

Reparatie van elektrische apparatuur mag alleen door een elektricien uitgevoerd worden. Mocht het apparaat niet functioneren, of in geval van schade, kunt u contact opnemen met de winkel waar het apparaat gekocht is.

Dit toestel kan worden gebruikt door kinderen van 8 jaar en ouder en door personen met verminderd lichamelijk, zintuiglijk of mentaal vermogen of met gebrek aan ervaring en kennis indien onder toezicht of met instructies betreffende het veilig gebruiken van het toestel en met kennis van mogelijke gevaren. Kinderen mogen niet spelen met het toestel. Schoonmaken en gebruiksonderhoud mag niet worden uitgevoerd door kinderen zonder toezicht.

Buiten bereik van kinderen onder de 3 jaar houden tenzij onder constant toezicht.

Kinderen tussen de 3 en 8 jaar mogen alleen het toestel aan-/uitschakelen ervan uitgaande dat deze is geplaatst of geïnstalleerd in zijn bedoelde normale werkpositie en onder toezicht of met instructies betreffende het veilig gebruiken van het toestel en met kennis van mogelijke gevaren. Kinderen tussen de 3 en 8 jaar mogen het toestel niet aansluiten, reguleren en schoonmaken of onderhoud uitvoeren.

Let op: Sommige onderdelen van dit product kunnen erg heet worden en brandwonden veroorzaken. Er moet bijzondere aandacht worden besteed aan de aanwezigheid van kinderen en kwetsbare mensen.

Echter adviseert Gazco:

Dit apparaat is niet geschikt voor gebruik door personen jonger dan 12 jaar, personen met beperkte lichamelijke, sensorische of geestelijke vermogens of personen met gebrek aan ervaring en kennis over de veilige bediening van het apparaat.

Het apparaat kan worden bediend door personen vanaf 12 jaar onder voorwaarde dat zij zijn geïnstrueerd in het veilige gebruik van het apparaat en hebben begrepen wat de mogelijke gevaren zijn. Personen vanaf 12 jaar mogen het apparaat bedienen onder toezicht van een verantwoordelijke volwassene.

Delen van dit apparaat worden heet tijdens de werking en personen jonger dan 12 jaar mogen nooit alleen worden gelaten met het apparaat wanneer dit aan staat tenzij een geschikt brandscherm wordt gebruikt om hen te beschermen tegen mogelijk rechtstreeks contact met het apparaat.

Kinderen mogen niet spelen met het toestel.

Schoonmaken en gebruiksonderhoud mag niet worden uitgevoerd door kinderen zonder toezicht.



www.forjas-salvador.com

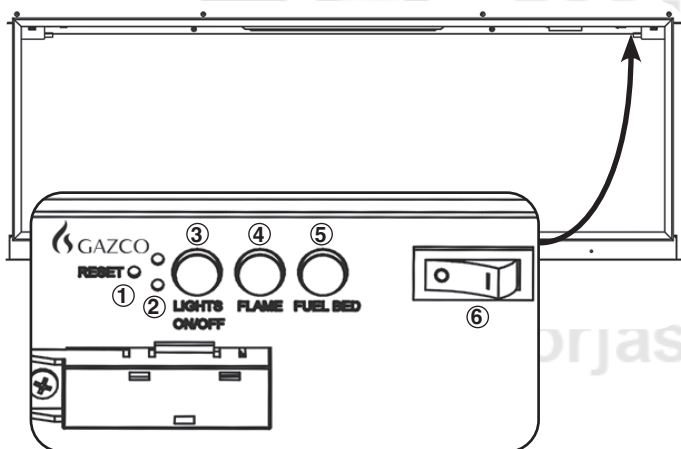
BEDIENINGSINSTRUCTIES



WAARSCHUWING! Het apparaat niet gebruiken als het beschadigd of defect is. Als u vermoedt dat het apparaat beschadigd of defect is neem dan contact op met een bevoegde elektricien om het apparaat te laten inspecteren en, indien nodig, om delen van het elektrische systeem te laten vervangen voordat het opnieuw gebruikt wordt.

Koppel de stroom bij de netvoeding niet los terwijl het toestel draait. Gebruik de functies op de afstandsbediening om het vuur uit te schakelen en controleer of de hoofdschakelaar op de uit-positie staat vóór het loskoppelen.

HANDMATIG BEDIENINGSPANEEL



1. Knop voor afstandsbediening resetten
2. Verhittingsindicatoren
3. Alle lichten AAN-/UIT-knop
4. Vlameffectknop
5. Brandstoflaag
6. Standby On/Off Schakelaar

BEDIENINGSINSTRUCTIES

Druk op 6 om het apparaat aan/uit te zetten.



OPMERKING: Om zowel afstandsbediening als handmatige functies te gebruiken, moet de handmatige AAN/UIT-schakelaar in de AAN-positie staan. Om te voorkomen dat het product te heet wordt, is er 10s vertraging wanneer de verhitter wordt ingeschakeld en 10s vertraging wanneer de luchtverhitter wordt uitgeschakeld.

De handmatige basisfuncties met knopbediening, niet alle bedieningsmogelijkheden. Gebruik de bedieningstelefoon om alle functies te kunnen uitvoeren.

Druk op 3 om de vlammen en het brandstofbed tegelijk aan/uit te zetten.

Druk op 4 om de kleur vlam te kiezen of om terug te keren naar de UIT-stand.

Er zijn drie vlamkleuropties:

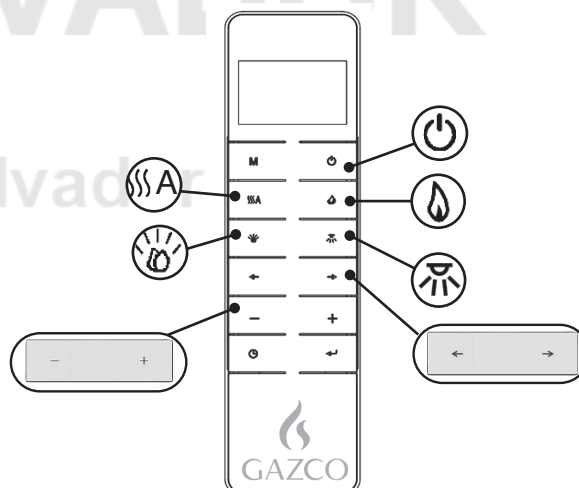
Druk op 5 om de kleur vlam te kiezen of om terug te keren naar de UIT-stand.

Er zijn veertien brandstofbedkleuropties.

Opmerking: Het toestel zal het geheugen voor lichtfuncties verliezen wanneer de schakelaar op de UIT-positie staat of de afstandsbediening leeg is.

AFSTANDSBEDIENINGEN

De afstandsbediening moet worden bewaard op een vlak oppervlak in de kamer waar het toestel is geïnstalleerd en weg van enige directe hete luchtstroom.



- Vermogen

- Verhitting/Geavanceerde

- Vlam

- Brandstofbed

- Steervlamstrip

- Kleuropties

- Niveaus

HET APPARAAT GEBRUIKEN - SNELSTART

Druk op Apparaat aan/uit
Het apparaat start in de laatst gekozen stand.

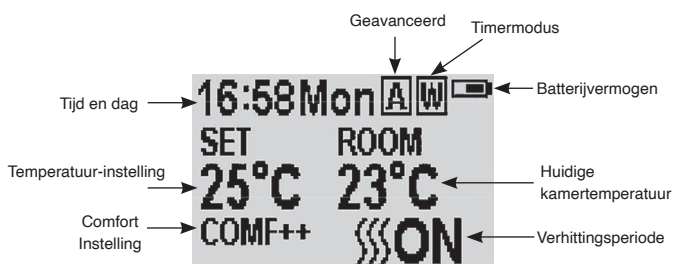
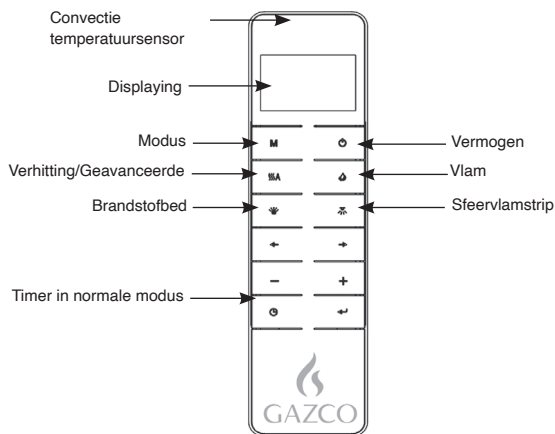
A Druk op Verwarmingselement aan/uit.
- Verhoog of verlaag de warmteafgifte.

Druk op Vlameffect aan/uit.
- Wijzig de kleuroptie.
Er zijn drie vlamkleuropties:
- Verhoog of verlaag de warmteafgifte.

Druk op Brandstofbedeffect aan/uit.
- Wijzig de kleuroptie.
Er zijn veertien opties:
- Verhoog of verlaag de helderheid.

Druk op Sfeervlamstrip aan/uit.
- Wijzig de kleuroptie.
Er zijn veertien sfeervlamstripkleuropties:
- Verhoog of verlaag de helderheid.

HET APPARAAT GEBRUIKEN - SNELSTART



DRUK OP AAN/UIT

Druk op de [power icon] knop om het vlameffect in te schakelen.

Druk op de [power icon] knop om alle functies uit te schakelen onder de normale verwarmingsbestuurmodus, inclusief vlameffect en luchtverhitter.

Druk op de [power icon] knop om het vlameffect onder de dagelijkse of wekelijkse timingverhittermodus uit te schakelen.

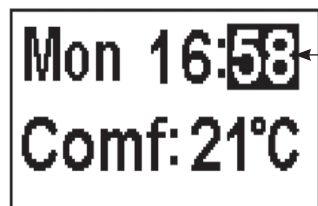
WEEK DAGEN / TIJD / COMFORTTEMPERATUUR EN EENHEIDSINSTELLING

Controleer of de klok op de juiste tijd staat.

Houd de M knop voor 3 seconden ingedrukt om naar het instellingenscherf te gaan.

Druk op de '<' of de '>' -knop om de te wijzigen instelling te kiezen.

Het geselecteerde kenmerk wordt gemarkeerd.



Druk op de '+' of '-' knop om de waarde aan te passen.

Tijd: 24-uurssysteem.
Selecteer comforttemperatuur tussen 15-25°C.
Temperatuureenheid: °C/°F.

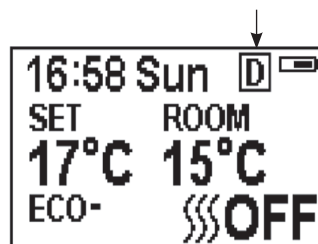
Druk op de [left arrow] -knop voor 3 seconden of wacht 10 seconden om op te slaan en de week-, tijd- en verwarmingstemperatuurinstelling te verlaten.


DAGELIJKSE VERHITTINGSTIMER

De volgende verhittingsperiodes zijn ingesteld; deze kunnen indien gewenst worden aangepast:

06:00 tot 08:00
17:00 tot 22:00

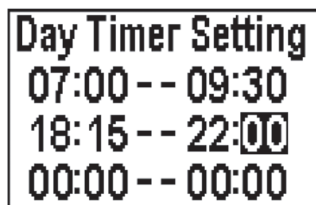
Houd M ingedrukt tot D er rechtsbovenaan op het scherm toegang tot de dagelijkse verwarmingstimermodus verschijnt.





Houd de -knop voor 6 seconden ingedrukt voor toegang tot de dagelijkse verhittingsinstelling. Een maximum van 3 verhittingsperiodes per dag kan worden ingesteld.

Druk op '←' of '→' om uur of minuut te kiezen.

Druk op '+' of '-' om de waarde in te stellen.
De minuuttoename/-afname per 15 min per keer drukken.



Houd de -knop voor 3 seconden ingedrukt of wacht 10 seconden om op te slaan en de verhittingstijdperiodeinstelling te verlaten.

Controleer de timerinstelling. Druk op  om de dagelijkse timermodus te controleren.

Als de verhitting moet worden uitgeschakeld, is het noodzakelijk om terug te gaan naar de normale bestuursmodus.

Als het toestel in de dagelijkse timermodus wordt uitgeschakeld met de afstandsbediening, zal de lichtuitvoer worden gestopt. De hitteuitvoer zal doorgaan afhankelijk van de timerinstellingen.

DE INGESTELDE TEMPERATUUR AANPASSEN

Druk op de '+'- of '-'-knop om de temperatuur op basis van de COMF-temperatuur te laten toe- of afnemen.

COMF geeft aan dat de huidige temperatuur gelijk is aan de ingestelde.

ECO geeft aan dat de huidige temperatuur 2°C lager is dan de ingestelde temperatuur.

ECO- betekent 4°C lager.


COMF+ betekent 2°C hoger.

COMF++ betekent 4°C hoger.

AANPASBARE STARTBESTURING

Overeenkomstig met de kamertemperatuur en de gewenste temperatuur, bepaalt de verhitter automatisch de geschikte opwarmtijd om te garanderen dat het de gewenste temperatuur bereikt binnen de ingestelde tijd (tot 45 minuten voor de ingestelde tijd).

AANPASSEN VLAMKLEUR

Druk op de -knop voor toegang tot het vlamaanpassingsscherm.

Er zijn 3 vlamkleuropties, aangegeven door de getoonde waarde.

Er zijn 6 helderheidsniveau's, inclusief 'uit'. Dit wordt aangegeven door de balk met de witte balk die 'uit' aangeeft.




Druk op de '←' of de '→'-knop om door de vlamkleuropties te gaan.

Druk op de '+'-knop om de vlamhelderheid te verhogen.

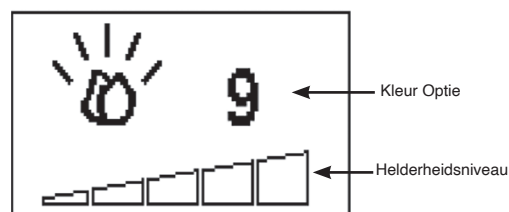
Druk op de '-'-knop om de vlamhelderheid te verlagen tot deze uit is.

AANPASSEN VUURBEDKLEUR

Druk op  voor toegang tot het scherm voor aanpassen vuurbedkleur.

Er zijn 14 vuurbedkleuropties, aangegeven door de getoonde waarde.

Er zijn 6 helderheidsniveau's, inclusief 'uit'. Dit wordt aangegeven door de balk met de witte balk die 'uit' aangeeft.




Druk op de '←' of de '→'-knop om door de vuurbedkleuropties te gaan.

Druk op de '+'-knop om de vuurbedhelderheid te verhogen.

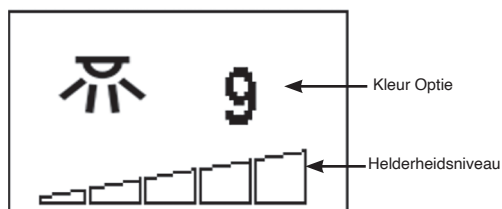
Druk op de '-'-knop om de vuurbedhelderheid te verlagen tot deze uit is.

AANPASSEN SFEERVLAMSTRIP

Druk op  voor toegang tot het scherm voor aanpassen kleur.

Er zijn 14 kleuropties, aangegeven door de getoonde waarde.

Er zijn 6 helderheidsniveaus, inclusief 'uit'. Dit wordt aangegeven door de balk met de witte balk die 'uit' aangeeft.




Druk op de '←' of de '→'-knop om door de kleuropties te gaan.

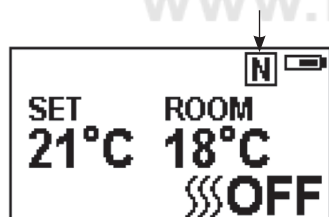
Druk op de '+'-knop om de helderheid te verhogen.

Druk op de '-'-knop om de helderheid te verlagen tot deze uit is.

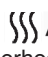
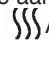
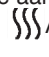
NORMALE BESTURINGSMODUS

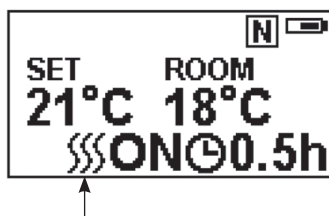
De normale besturingsmodus is de standaardinstelling.

Houd als alternatief de M knop ingedrukt tot het  logo rechts bovenaan het scherm verschijnt.



Druk op de '+' of '-'-knop om de temperatuurstelling van 17 °C tot 25°C aan te passen.

Druk op de  A knop om de warmte aan/uit te schakelen; in de rechter onderhoek van het scherm zal  AAN of  UIT worden getoond.




Opmerking: Het is gebruikelijk dat de luchtverhitter stopt met draaien gedurende tijdsperiodes. Dit gebeurt als de kamertemperatuur hoger is dan de ingestelde temperatuur op de bediening.

De verhittingsindicator wordt uitgeschakeld na 10s als de vlam AAN staat. De verhittingsindicator blijft AAN als enkel de verhittingsfunctie wordt gebruikt.

Als in de normale bedieningsmodus het toestel met de afstandsbediening wordt uitgeschakeld, zullen zowel de licht- als warmteproductie stoppen.

AFTELLINGSTIMER

Deze instelling bestaat alleen in de normale bedieningsmodus bij verhitting. Dit maakt het mogelijk om het toestel in stand-by te zetten na een ingestelde tijdsperiode. De verhitter moet ingeschakeld zijn om deze functie te kunnen gebruiken.

Druk op  om door de instelling te gaan van UIT en 0.5 uur tot 9 uur. Timerlogo en resterende tijd worden op het scherm getoond.


De verhitting van het toestel kan automatisch werken door de dagelijkse timer en de wekelijkse timer op de afstandsbediening te gebruiken.

VERHITTING WEKELIJKSE TIMER

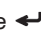
De volgende verhittingsperiodes zijn ingesteld; deze kunnen worden gewijzigd indien gewenst:

Van maandag tot vrijdag
06:00 tot 08:30
17:00 tot 22:00

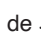
Van zaterdag tot zondag
06:30 tot 09:30
11:00 tot 13:00
17:00 tot 22:00

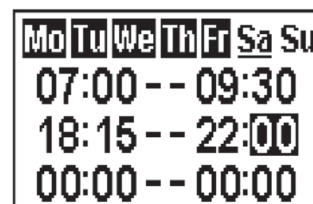
Druk op M tot  wordt getoond rechtsbovenin in het scherm voor toegang tot de wekelijkse verhittingsmodus.



Houd de  -knop voor 6 seconden ingedrukt voor toegang tot de instelling voor wekelijkse timer voor verhittingsmodus.

Druk op '←' of '→' om de cursor (een knipperende onderstreep) te bewegen.

Druk op de  -knop in de corresponderende weekpositie om de huidige instelling te selecteren (het kenmerk wordt gemarkeerd) of te annuleren (het kenmerk wordt normaal weergegeven); dezelfde tijdsperiode kan tegelijk worden geselecteerd.




Druk op de '→'-knop om de cursor naar het instellingsgebied van de tijdsperiode te bewegen.


Druk op de '←' of de '→'-knop om uur of minuut te bepalen.


Druk op '+' of '-' om de waarde te bepalen.

Een maximum van 3 verhittingsperiodes per dag kan worden ingesteld.

Verhoging/verlaging van minuut per 15 min per druk op de knop.

Druk op  om de verhittingstijd voor de geselecteerde dag in te stellen en terug te keren naar de weeklijn.

Houd de  -knop voor 3 seconden ingedrukt of wacht 10 seconden om op te slaan en de verhittingstijdperiodeinstelling te verlaten.

Druk op  '←' of op '→' om de timerinstelling voor de verhittingsmodus van de weektimer te controleren.

Als de verhitting moet worden uitgeschakeld, is het noodzakelijk om terug te gaan naar de normale bestuursmodus.

Als in de wekelijkse timermodus het toestel door de afstandsbediening wordt uitgeschakeld, zal de lichtuitvoer stoppen. De hitteuitvoer zal doorgaan afhankelijk van de timerinstellingen.

DE INGESTELDE TEMPERATUUR AANPASSEN

Druk op de '+'- of '-'-knop om de temperatuur op basis van de COMF-temperatuur te laten toe- of afnemen.

COMF geeft aan dat de huidige temperatuur gelijk is aan de ingestelde.

ECO geeft aan dat de huidige temperatuur 2°C lager is dan de ingestelde temperatuur.

ECO- betekent 4°C lager.

COMF+ betekent 2°C hoger.

COMF++ betekent 4°C hoger..

AANPASBARE STARTBESTURING

Overeenkomstig met de kamertemperatuur en de gewenste temperatuur, bepaalt de verhitte automatisch de geschikte opwarmtijd om te garanderen dat het de gewenste temperatuur bereikt binnen de ingestelde tijd (tot 45 minuten voor de ingestelde tijd).

GEAVANCEERDE MODUS

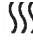

De verhittingstoestand kan worden verlengd tot de volgende periode bij zowel de dagelijkse als wekelijkse timerverhittingsmodus.

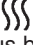


Als de verhitte aan is tijdens de huidige periode, zal op de knop drukken de verhitte uitschakelen.

Als de verhitte uit is tijdens de huidige periode, zal op de knop drukken de verhitte inschakelen.

Of de huidige verhitting aan/uit is hangt ook af van de kamertemperatuur en de ingestelde temperatuur.

Druk op  **A** voor toegang tot de geavanceerde modus onder de dagelijkse en wekelijkse timerverhittingsmodus,  die zal worden getoond rechtsbovenin het scherm.

Druk  **A** nogmaals of de timerperiode zal de geavanceerde modus beëindigen.

DETECTEREN VAN OPEN RAAM

Als de zender een sterke daling in kamertemperatuur waarneemt, zal dit worden opgevat als een open raam: het waarschuwingsicoon zal worden weergegeven en de verhitte zal automatisch worden uitgeschakeld.






Na stijging van de binnentemperatuur of door handmatige ingreep (door de afstandsbediening te bedienen), zal het toestel terugkeren naar normaal functioneren.

HET APPARAAT GEBRUIKEN - FOUTOPSPORING

BATTERIJ

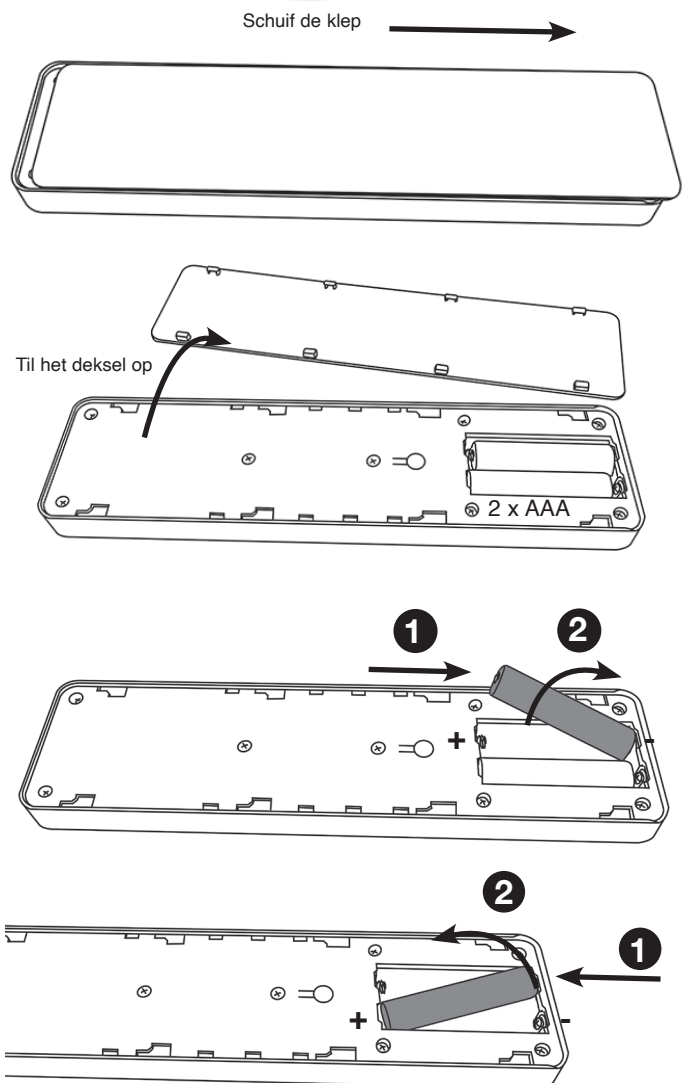
Het batterijniveau wordt aangegeven rechtsbovenin op het afstandbedieningsscherm.

	Volle batterij	Geen handeling vereist
	Halfvolle batterij	Controleer of nieuwe batterijen aanwezig zijn.
	Lege batterij	Vervang batterijen onmiddellijk

i **OPMERKING:** De afstandbediening heeft een batterijstatusindicator (rechtsboven in de hoek), na een lange periode van lege weergave zal het LED-scherm niet meer werken, ondanks dat de handset nog steeds opdrachten kan verzenden. Vervang de batterijen om het display te herstellen.

BATTERIJ VERVANGING

Lege batterijen moeten uit het apparaat worden gehaald en veilig worden afgevoerd.



Zorg ervoor dat de batterijen nieuw zijn en op de juiste manier geplaatst zijn.

Wanneer u de batterijen vervangt, dient u ervoor te zorgen dat de gebruikte batterijen op de juiste manier tot afval worden verwerkt.

Vervanging van batterij na 1 jaar wordt aangeraden. De afstandsbediening heeft twee 1.5V alkaline AAA-batterijen nodig.

Let op de juiste polariteit.
Veroorzaak geen kortsluiting in de aansluitingen.

Probeer niet om niet-oplaadbare batterijen op te laden.

Verwijder oplaadbare batterijen voordat u ze oplaadt.

Gebruik geen oude en nieuwe batterijen door elkaar.

Verwijder de batterijen als het apparaat langere tijd niet wordt gebruikt.

Het vervangen van de batterijen beïnvloedt de timermodusinstellingen niet, maar misschien zal de klok moeten worden gelijk gezet.

i **OPMERKING:** Om zowel afstandbediening als handmatige functies te gebruiken, moet de handmatige AAN/UIT-schakelaar in de AAN-positie staan. Om te voorkomen dat het product te heet wordt, is er 10s vertraging wanneer de verhitter wordt ingeschakeld en 10s vertraging wanneer de luchtverhitter wordt uitgeschakeld.

De handmatige basisfuncties met knopbediening, niet alle bedieningsmogelijkheden. Gebruik de bedieningstelefoon om alle functies te kunnen uitvoeren.

VERWARMINGSINDICATOREN

Wanneer de luchtverhitter wordt gebruikt in combinatie met de vlam of met vuurbedefecten zullen de verwarmingsindicatoren voor 10 seconden oplichten.

De LED's zullen voor 10 seconden oplichten als de vlam of het vuurbedefect AAN is.

Als de luchtverhitter onafhankelijk wordt gebruikt, zullen de verwarmingsindicatoren aan blijven.

KNOP VOOR AFSTANDSBEDIENING RESETTEN

Als de telefoon signaal verliest of moet worden vervangen, zie Onderhoudssectie voor meer informatie.

SIGNAALCODE

De afstandbediening werkt op radiosignaal. De handzender is in de fabriek ingesteld met een unieke signaalcode.

BELANGRIJK: Als de telefoon signaal verliest of moet worden vervangen, zie Onderhoudssectie voor meer informatie.

ONDERHOUD

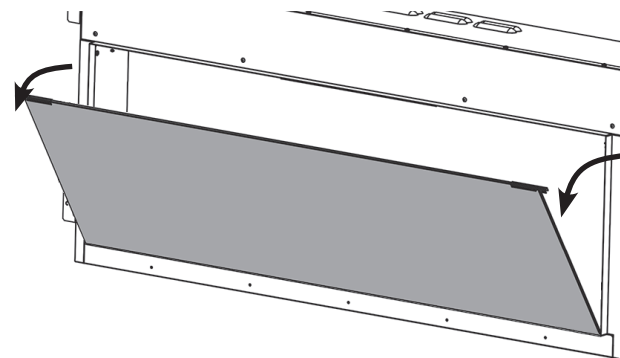
DE STEKKER ALTIJD UIT HET STOPCONTACT HALEN VOORDAT ER REINIGINGS WERKZAAMHEDEN OF ONDERHOUDSWERKZAAMHEDEN UITGEVOERD WORDEN.

REINIGING VOORZIJDEN

Maak het kijkvensterpaneel schoon met een vochtige doek en veeg af met een pluisvrije stofdoek.

Waarschuwing: Geen schurende reinigingsmiddelen op het glaspaneel gebruiken. Spuit geen vloeistoffen rechtstreeks op het oppervlak van de unit spuiten.

HET SCHOONMAKEN VAN DE BRANDSTOF EFFECT



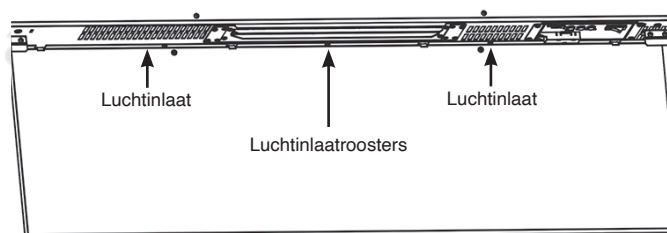
Verwijder en was het brandstofeffect om stofdeeltjes te verwijderen. Kan ook met een lintrijke duster worden gereinigd. **Zorg ervoor dat het effect droog is, voordat deze wordt teruggeplaatst.**

Vervang het brandstofeffect, zie Installatieinstructies.

Herplaats alles weer in omgekeerde volgorde.

LUCHTINLATEN REINIGEN

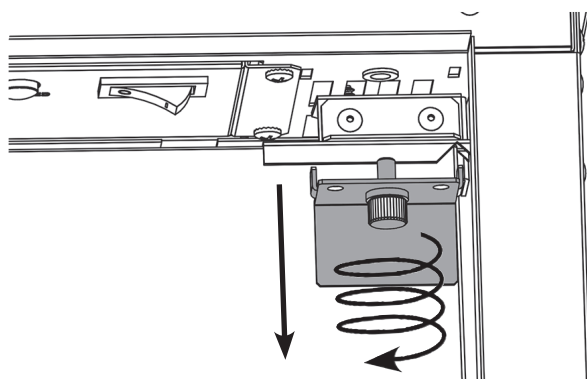
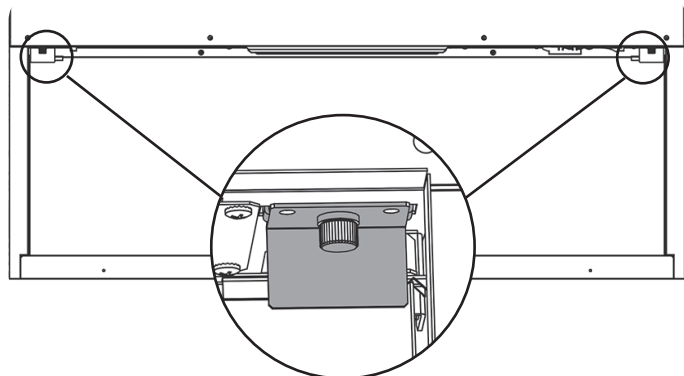
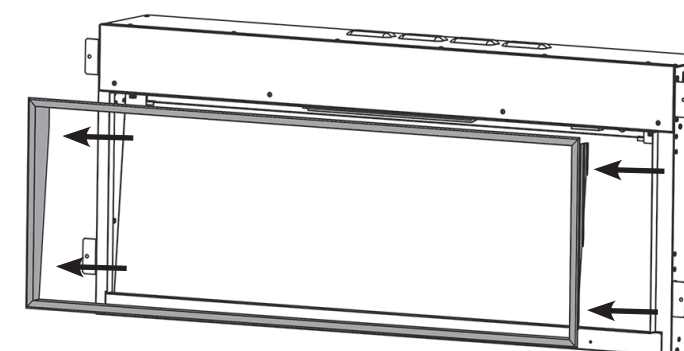
Maak de luchtinlaat en de luchtinlaatroosters regelmatig met een zachte doek of het mondstuk van een stofzuiger schoon.



Opgehoopt stof zal het vrijelijk bewegen van de ventilator beperken en kan ertoe leiden dat het beveiligingsmechanisme in werking treedt.

Houd het gebied rond de haard schoon en vrij van pluisjes, stof of haren van huisdieren.

Stof enz. kan zich vooral verzamelen rond het verwarmingsgebied bovenaan het apparaat. Zorg er regelmatig voor dat dit gebied geen van deze stofdeeltjes bevat, zodat een opeenhoping voorkomen wordt.



INSTALLATIE

ALGEMEEN

BENODIGD GEREEDSCHAP

Er zullen een schroevendraaier, een waterpas en boor nodig zijn.

DE OPEN HAARD UITPAKKEN

WAARSCHUWING! Dit apparaat NIET gebruiken als er onderdelen aan water blootgesteld zijn geweest.

Bel onmiddellijk een erkende installateur om een inspectie te laten uitvoeren en vervang, indien nodig, onderdelen van het elektrische systeem.

De verpakking zorgvuldig openen en verwijder het polystyreen. Verwijder de plastic zak en gooi deze weg. Houd plastic verpakkingsmateriaal uit de buurt van kinderen. Wees verantwoordelijk bij het hanteren van het verpakkingsmateriaal.

Controleer of alle onderdelen en accessoires verwijderd zijn voordat de verpakking weggegooid wordt. Bewaar de originele verpakking, indien nodig, voor toekomstig transport en/of opslag.

Test het toestel vóór installatie.

HET APPARAAT PLAATSEN

DE ESTUDIO ELECTRIC PLAATSEN

Uw nieuwe eStudio Electric kan bijna overal in uw huis worden geïnstalleerd. Zorg er echter bij het kiezen van een locatie voor dat de standaard instructies worden opgevolgd.

De verhitter dient idealiter te worden aangebracht op een inwendige vlakke muur die is gemaakt van studwerk of gipsplaatblok/-steen. De geleverde bevestigingen mogen ENKEL worden gebruikt op bakstenen muren. Let op dat er geschikte bevestigingen worden gebruikt bij het aanbrengen in holle wanden of wanden met speciaal ingebouwde openingen. OPMERKING: Dit apparaat is niet geschikt om te worden aangebracht op een Spouwmuur, terwijl het leunt op een buitenmuur, op een open schoorsteen of op om het even welke opening die mogelijk staat blootgesteld aan vochtigheid en tocht, tenzij er passende voorzorgsmaatregelen worden genomen om te voorkomen dat het apparaat contact maakt met vocht of een teveel aan tocht. In dergelijke installaties moeten een bestaande schoorsteen en/of speciaal aangelegde luchtafvoerkanalen volledig worden afgedicht.

Voor het beste resultaat niet in direct zonlicht installeren.

Het toestel moet worden geïnstalleerd in een hiervoor gemaakte gestuukte behuizing. Zorg ervoor dat er geschikte bevestigingen worden gebruikt bij de installatie in holle wanden of wanden met openingen.

Zorg ervoor dat er geen leidingen of kabels achter het gebied te boren of te snijden.

Controleer altijd of het toestel op juiste wijze wordt ondersteund en op een stevige structuur huist wanneer deze boven vloerniveau wordt gemonteerd.

Het apparaat moet dicht bij een geschikt stopcontact geplaatst worden om de aansluiting mogelijk te maken. Een verlenging kan worden uitgevoerd vanaf een bestaand stopcontact, maar dit moet door een gekwalificeerde elektrotechnicus worden uitgevoerd. Het stopcontact moet gemakkelijk toegankelijk zijn om de stekker eruit te kunnen trekken wanneer het apparaat geïnstalleerd is.

Als de voedingskabel beschadigd is, moet deze door de fabrikant, een geautoriseerd service centrum of een vakman gerepareerd worden.

Zorg ervoor dat gordijnen en meubels niet zijn geplaatst in de buurt van de gekozen positie, aangezien dit een potentieel brandgevaar zou maken of blokkeren van de verwarming uitlaat leidingen.

WAARSCHUWING! HOUD ALLE BRANDBARE MATERIELEN MINIMAAL 1 METER UIT DE BUURT VAN DE VOOR- EN ZIJKANTEN VAN DE ELEKTRISCHE HAARD.

ONDERHOUD



TIJDENS ONDERHOUD VAN DIT APPARAAT KAN HET NODIG ZIJN OM DE KABELBINDERS LOS TE SNIJDEN OM TOEGANG TE VERKRIJGEN TOT DELEN OF OM DEZE TE VERWIJDEREN. DEZE MOETEN WORDEN TERUGGEPLAATST BIJ HET OPNIEUW AANBRENGEN VAN HET APPARAAT.

DIT APPARAAT MAG UITSLUITEND ONDERHOUDEN WORDEN DOOR EEN VOLDOENDE GEKWALIFICEERDE PERSOON. ALVORENS IETS TE DOEN AAN HET TOESTEL: SCHAKEL HET TOESTEL UIT EN ISOLEER DE STROOMTOEVOER. CONTROLEER DAT HET TOESTEL NIET ONDER STROOM STAAT.

Wacht minstens 10 minuten totdat het apparaat is afgekoeld.

Batterijen Afstandsbediening Vervangen

Met een AAA-batterij vervangen. Zorg ervoor dat de batterij op de juiste wijze in de afstandsbediening is geplaatst.



OPMERKING: De afstandsbediening heeft een batterijstatusindicator (rechtsboven in de hoek), na een lange periode van lege weergave zal het LED-scherm niet meer werken, ondanks dat de handset nog steeds opdrachten kan verzenden. Vervang de batterijen om het display te herstellen.

Onderhoud van Motoren

De motoren die voor de ventilator en het vlameffect gebruikt worden zijn vooraf gesmeerd voor een langere levensduur van de lagers en hebben geen verdere smering nodig. Het wordt echter aanbevolen de ventilator/verwarmingsunit regelmatig te reinigen/stof weg te zuigen.

De thermische beveiligingsschakelaar resetten

Het toestel is uitgerust met een Electronic Safety Control (E.S.). Dit is een veiligheidsvoorziening die de haard uitschakelt als het apparaat, om welke reden dan ook, oververhit raakt, bijvoorbeeld wanneer hij afgedekt is.

Als de haard niet meer functioneert, maar het vlameffect blijft gewoon doorgaan, geeft dit aan dat de ES Control functioneert. De E.S. Control kan alleen opnieuw worden ingesteld nadat het apparaat is afgekoeld.

Opnieuw instellen van de ES:

Schakel het apparaat uit (Handmatige aan/uit-schakelaar) en laat het gedurende 120 minuten afkoelen.

Verwijder eventuele verstoppingen uit de uitlaat van de ventilatorkachel of andere interne onderdelen.

Zet het apparaat opnieuw aan en de E.S. Control zal opnieuw ingesteld worden. Zorg ervoor dat het apparaat op de juiste wijze functioneert. Als de E.S. Control opnieuw functioneert, moet het apparaat door een vakbekwame elektricien worden gecontroleerd.

IMPORTANTE

ALCUNE PARTI DELL'INVOLUCRO ESTERNO DELL'APPARECCHIO SONO CONSIDERATE DAL PRODUTTORE SUPERFICI DI LAVORO CHE SI SCALDANO ALL'ACCENSIONE DEL RISCALDATORE. SI RACCOMANDA QUINDI DI USARE UN PARAFUOCO CONFORME ALLA NORMA BS 8423 (ULTIMA EDIZIONE) IN PRESENZA DI BAMBINI, ANZIANI O INVALIDI.

LA GRIGLIA DI USCITA DEL RISCALDATORE DIVENTA BOLLENTE DURANTE L'USO. NON COPRIRE LA GRIGLIA DI USCITA NÉ ALCUNA PARTE DELL'APPARECCHIO.

Da usare solo con alimentazione elettrica da 230 V, 50Hz.

Leggere attentamente queste istruzioni prima dell'installazione e conservarle in un luogo sicuro, poiché saranno necessarie al momento di eseguire riparazioni o manutenzione.

QUESTO APPARECCHIO DEVE ESSERE PROVISTO DI MESSA A TERRA

IL PRESENTE PRODOTTO È ADATTO SOLO A AMBIENTI CORRETTAMENTE ISOLATI O AD UN USO OCCASIONALE.

INFORMAZIONI IMPORTANTI E SALUTE E SICUREZZA

Leggere attentamente tutte le istruzioni prima di utilizzare l'apparecchio.

Rimuovere tutti gli imballaggi e smaltirli presso un'appropriata struttura di riciclaggio.

Non posizionare l'apparecchio subito sotto una presa di corrente fissa.

Alcune parti dell'involucro esterno dell'apparecchio sono considerate dal produttore superfici di lavoro che si scaldano all'accensione del riscaldatore. Utilizzare un parafulco adeguato per proteggere bambini, anziani e malati.

Non utilizzare questo apparecchio nelle immediate vicinanze di una vasca da bagno, di una doccia, di una piscina o in altre aree in cui potrebbe venire a contatto con acqua o umidità, ad esempio la stanza da bagno.

**ATTENZIONE! NON COPRIRE**

Non coprire l'apparecchio né ostruire la presa o l'uscita dell'aria, per evitare il surriscaldamento dell'apparecchio. Osservare il simbolo di avviso sull'apparecchio (vedere sopra).

Solo per uso interno. Questo apparecchio non è adatto all'uso in aree esterne alla casa.

Questo apparecchio deve essere installato in un apposito contenitore studwork. Assicurarsi che l'apparecchio sia in piano e che i mobili, tende, ecc sono posizionati non più vicino di 1 m.

Se il cavo dell'alimentazione elettrica deve passare attraverso un camino, un rivestimento in pietra e così via, assicurarsi che vengano installate delle protezioni di gomma nei possibili punti di usura.

Se installato in un camino aperto, chiudere la canna fumaria per ridurre il rischio di fiamma di ritorno che può causare la disattivazione del sistema di sicurezza.

Tenere il cavo di alimentazione lontano da superfici calde e condizioni di calore. Non posizionare il cavo di fronte all'apparecchio.

Una volta installato il caminetto, deve essere possibile accedere alla spina.

Se il cavo di alimentazione è danneggiato, non utilizzare l'apparecchio finché non viene sostituito. Per motivi di sicurezza, la sostituzione deve essere effettuata da un responsabile dell'assistenza Gazco o da un elettricista con una qualifica simile.

ATTENZIONE: Per evitare un pericolo dovuto al ripristino involontario dell'interruttore termico, questo apparecchio non deve essere alimentato tramite un dispositivo di commutazione esterno, ad esempio un timer, o collegato a un circuito di comando accensione e spegnimento.

Non utilizzare l'apparecchio se danneggiato.

La riparazione delle apparecchiature elettroniche deve essere eseguita solo da un elettricista. In caso di mancato funzionamento dell'apparecchio o in caso di danni, contattare il rivenditore presso il quale è stato acquistato.

Questo apparecchio può essere utilizzato da bambini di età superiore a 8 anni e persone con ridotte capacità fisiche, sensoriali o mentali o mancanza di esperienza e conoscenza, solo se supervisionati o istruiti sull'uso dell'apparecchio in modo sicuro e se comprendono i rischi che corrono. I bambini non devono giocare con l'apparecchio.

La pulizia e la manutenzione dell'utente non devono essere eseguite da bambini senza supervisione.

I bambini di età inferiore ai 3 anni devono essere tenuti lontano a meno che non siano costantemente supervisionati.

I bambini di età compresa tra 3 anni e meno di 8 anni possono accendere/spegnere l'apparecchio solo se questo è stato collocato o installato nella normale posizione operativa prevista e se sono sorvegliati o istruiti sull'uso dell'apparecchio in modo sicuro e se comprendono i rischi che corrono. I bambini di età compresa tra 3 anni e meno di 8 anni non possono collegare, regolare, pulire l'apparecchio né eseguire interventi di manutenzione.

Attenzione: alcune parti di questo prodotto possono diventare molto calde e causare ustioni. Particolare attenzione deve essere prestata dove sono presenti bambini e persone vulnerabili.

Tuttavia Gazco consiglia:

Questo elettrodomestico non è progettato per essere utilizzato da minori di 12 anni, da persone con capacità fisiche, sensoriali o mentali ridotte o da persone che non hanno l'esperienza o le conoscenze necessarie per mettere in funzione l'elettrodomestico in maniera sicura.

Questo elettrodomestico può essere utilizzato da maggiori di 12 anni purché siano stati istruiti in merito all'utilizzo sicuro dell'elettrodomestico e comprendano i possibili rischi. I minori di 12 anni possono utilizzare questo elettrodomestico purché siano supervisionati da un adulto responsabile.

Alcune componenti di questo elettrodomestico diventano calde in seguito all'utilizzo e in nessun caso i minori di 12 anni devono essere lasciati da soli con il prodotto quando questo è in funzione, a meno che non venga utilizzato un parafuoco idoneo allo scopo di proteggerli dalla possibilità di entrare a diretto contatto con l'elettrodomestico.

I bambini non devono giocare con l'apparecchio.

La pulizia e la manutenzione dell'utente non devono essere eseguite da bambini senza supervisione.



www.forjas-salvador.com

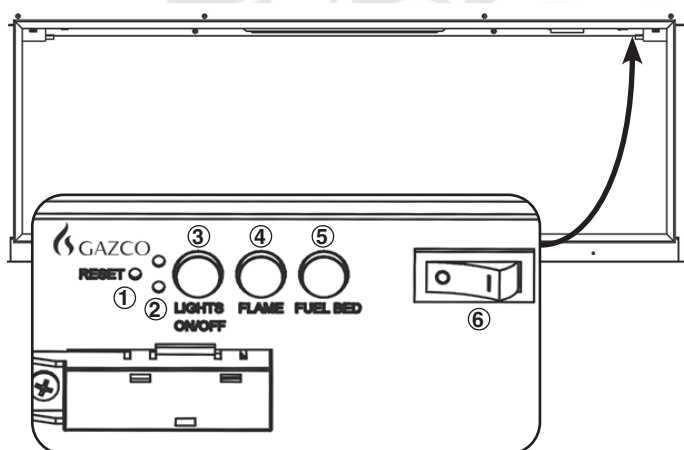
ISTRUZIONI DI FUNZIONAMENTO



ATTENZIONE! Non utilizzare l'apparecchio se danneggiato o se non funziona correttamente. Se si sospetta che l'apparecchio sia danneggiato o che non abbia funzionato correttamente, contattare un tecnico dell'assistenza qualificato per far eseguire un'ispezione e sostituire le parti dell'impianto elettrico se necessario, prima di riutilizzarlo.

Non scollegare l'alimentazione alla rete elettrica mentre l'apparecchio è in funzione. Utilizzare le funzioni del telecomando per spegnere il fuoco e assicurarsi che l'interruttore di isolamento sia stato spostato in posizione di spegnimento prima di scollegarlo.

PANNELLO COMANDO MANUALE



1. Pulsante di ripristino per telecomando
2. Indicatori funzionamento riscaldatore
3. Tutte le luci Pulsante On/Off
4. Il pulsante degli effetti fiamma
5. Crogiolo di combustione pulsante impostazione
6. Alimentazione di rete (On / Off) Interruttore

ISTRUZIONI DI FUNZIONAMENTO

Premere 6 per **accendere/spegnere l'apparecchio**.



NOTA: Per utilizzare entrambe le funzioni remota e manuale, l'interruttore di accensione/spegnimento manuale deve essere in posizione "ON". Per evitare che il prodotto diventi troppo caldo, si verifica un ritardo di 10 secondi all'accensione del riscaldatore e un ritardo di 10 secondi quando si spegne la ventola del riscaldatore.

Il pulsante manuale controlla le funzioni di base, non una gamma completa di controlli. Utilizzare il telecomando per eseguire tutte le funzioni.

Premere 3 per **accendere/spegnere contemporaneamente le fiamme** e il crogiolo di combustione.

Premere 4 per selezionare il colore della fiamma o tornare alla posizione OFF (spento).

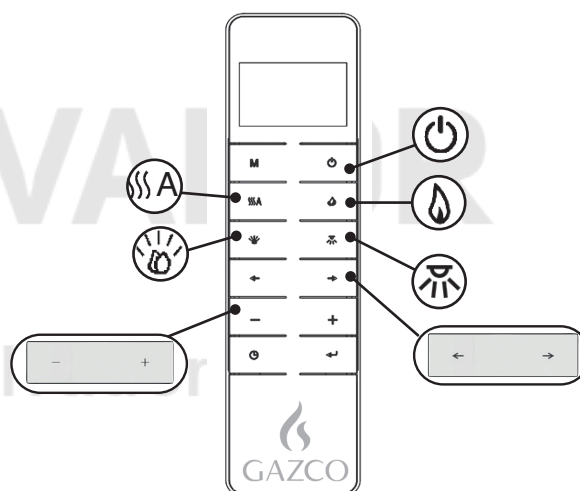
Sono disponibili 3 colori per la fiamma:

Premere 5 per selezionare il colore del crogiolo di combustione o per tornare alla posizione OFF (spento). Sono disponibili 14 colori per il crogiolo di combustione.

Nota: L'apparecchio perderà la memoria per le funzioni di illuminazione quando l'interruttore è impostato su Off o si scaricano le batterie del telecomando.

COMANDI A DISTANZA

Il telecomando deve essere lasciato su una superficie piana nella stanza in cui è installato l'apparecchio e lontano da qualsiasi flusso diretto di aria calda.



- Energia
- Riscaldamento
- Fiamma
- Crogiolo di combustione
- Striscia luminosa emozionale
- Opzioni di colore
- Livelli

FUNZIONAMENTO DELL'APPARECCHIO
- AVVIO RAPIDO

Accendere/spegnere l'apparecchio
L'apparecchio si avvierà all'ultima impostazione memorizzata.

Accendere/spegnere il riscaldatore.
 - Aumentare o diminuire l'emissione di calore.

Accendere/spegnere gli effetti fiamma.
 - Cambiare il colore.
Sono disponibili 3 colori per la fiamma:
 - Aumentare o diminuire il livello di luminosità.

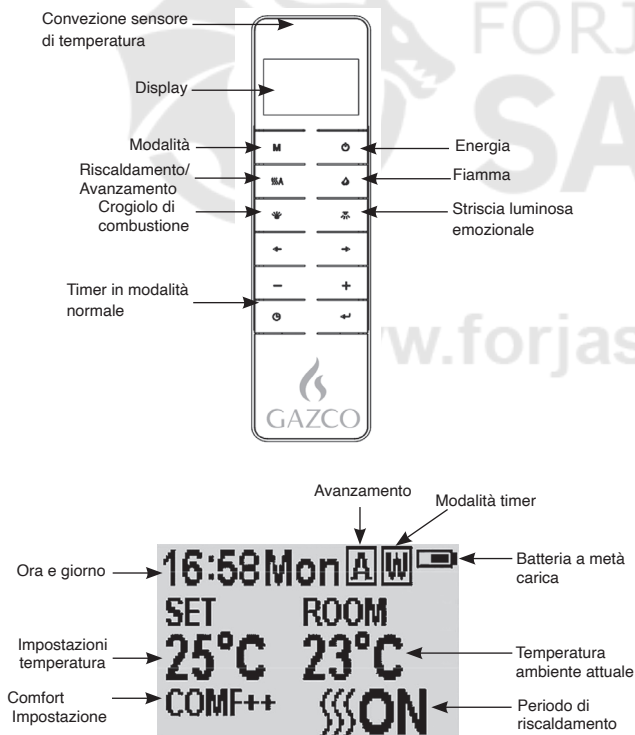
Accendere/spegnere l'effetto del crogiolo di combustione.

- ← → - Cambiare il colore.
Sono disponibili 14 colori per il crogiolo di combustione:
- + - Aumentare o diminuire il livello di luminosità.

Accendere/spegnere la striscia luminosa emozionale.

- ← → - Cambiare il colore.
Sono disponibili 14 colori.
- + - Aumentare o diminuire il livello di luminosità.

FUNZIONAMENTO DELL'APPARECCHIO - FUNZIONAMENTO AVANZATO



Il carattere selezionato verrà evidenziato.



Premere il pulsante '+' o '-' per regolare il numero.

Schema orario: sistema 24 ore.
Selezionare una temperatura comfort da 15 a 25°C.
Unità temperatura: °C/°F.

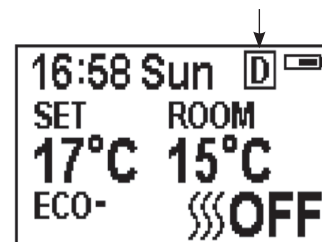
Premere il pulsante ↵ per 3 secondi o attendere 10 secondi per salvare e uscire dalla settimana, dall'ora e dall'impostazione della temperatura.

TIMER GIORNALIERO RISCALDAMENTO

Sono stati preimpostati i seguenti periodi di riscaldamento, che possono essere modificati se lo si desidera:

dalle ore 06:00 alle 08:00
dalle ore 17:00 alle 22:00

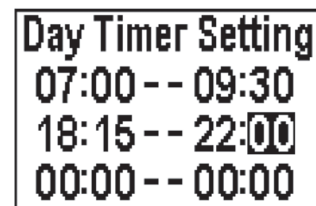
Premere **M** fino a **D** visualizzare l'angolo in alto a destra dello schermo per accedere al timer giornaliero della modalità di riscaldamento.



Tenere premuto il ↵ pulsante per 6 secondi per accedere all'impostazione riscaldamento giornaliero.
È possibile impostare un massimo di 3 periodi di riscaldamento programmati al giorno.

Premere '←' o '→' per scegliere ore o minuti.

Premere '+' o '-' per regolare il numero.
Ad ogni pressione si ha un incremento/decremento di 15 minuti.



Premere il pulsante ↵ per 3 secondi o attendere 10 secondi per salvare e uscire dall'impostazione del periodo di riscaldamento.

Controllare l'impostazione del timer. Premere ↵ per controllare la modalità giornaliera del timer.

ACCENSIONE / SPEGNIMENTO

Premere il pulsante per accendere l'effetto fiamma.

Premere il pulsante per disattivare tutte le funzioni nella normale modalità di controllo del riscaldamento, inclusi l'effetto fiamma ed il riscaldatore della ventola.

Premere il pulsante per disattivare l'effetto fiamma in modalità riscaldamento giornaliero e settimanale.

GIORNI DELLA SETTIMANA/ORA/TEMPERATURA COMFORT E IMPOSTAZIONE UNITÀ

Assicurarsi che l'orologio sia impostato all'ora corretta.

Tenere premuto il **M** pulsante per 3 secondi per accedere alla schermata impostazioni.

Premere il pulsante '←' o '→' per scegliere l'impostazione da modificare.

Se è necessario spegnere il riscaldamento, sarà necessario tornare alla modalità di controllo normale.

Quando si spegne l'apparecchio mentre si trova in modalità timer giornaliero con il telecomando si interrompe l'emissione di luce. L'uscita di calore continuerà secondo le impostazioni del timer.

REGOLAZIONE DELLA TEMPERATURA IMPOSTATA

Premere il pulsante '+' o '-' per aumentare o diminuire la temperatura sulla base della temperatura COMF.

COMF indica che la temperatura effettiva corrisponde a quella dell'impostazione.

ECO significa che la temperatura attuale è inferiore di 2°C rispetto alla temperatura impostata.

ECO- significa 4°C in meno.

COMF+ significa 2°C in più.

COMF++ significa 4°C in più.

CONTROLLO DI AVVIO ADATTIVO

In base alla temperatura ambiente e alla temperatura impostata, il riscaldatore determina automaticamente il tempo di riscaldamento appropriato per garantire che raggiunga la temperatura impostata nel tempo impostato (fino a 45 minuti prima del tempo impostato).

REGOLAZIONE DEL COLORE DELLA FIAMMA

Premere il  pulsante per accedere alla schermata di regolazione della fiamma.

Ci sono 3 opzioni di colore della fiamma, indicate dal numero.

Ci sono 6 livelli di luminosità, incluso spento. Questo è indicato dalla barra, con la barra vuota che indica spegnimento.




Premere il pulsante '<' o '>' per scorrere ciclicamente le opzioni del colore della fiamma.

Premere il pulsante '+' per aumentare la luminosità della fiamma.

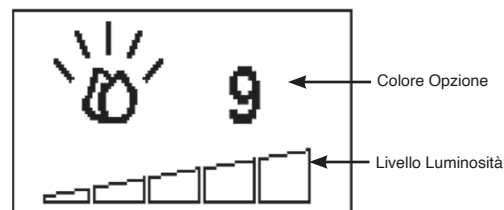
Premere il pulsante '-' per ridurre la luminosità della fiamma.

REGOLAZIONE COLORE DEL CROGIOLO DI COMBUSTIONE

Premere il  pulsante per accedere alla schermata di regolazione luce crogiolo di combustione.

Ci sono 14 opzioni di colore crogiolo di combustione, indicate dal numero.

Ci sono 6 livelli di luminosità, incluso spento. Questo è indicato dalla barra, con la barra vuota che indica spegnimento.



Premere il pulsante '<' o '>' per scorrere ciclicamente le opzioni del colore del crogiolo di combustione.

Premere il pulsante '+' per aumentare la luminosità del crogiolo di combustione.

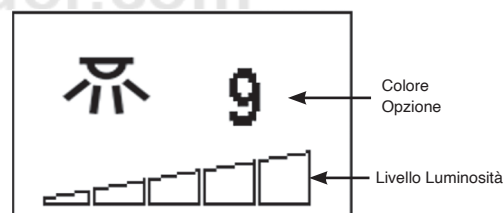
Premere il pulsante '-' per ridurre la luminosità del crogiolo di combustione fino a spegnere.

REGOLAZIONE COLORE DEL STRISCIA LUMINOSA EMOZIONALE

Premere il  -per accedere alla schermata di regolazione luce.

Ci sono 14 opzioni di colore, indicate dal numero.

Ci sono 6 livelli di luminosità, incluso spento. Questo è indicato dalla barra, con la barra vuota che indica spegnimento.



Premere il pulsante '<' o '>' per scorrere ciclicamente le opzioni del colore.

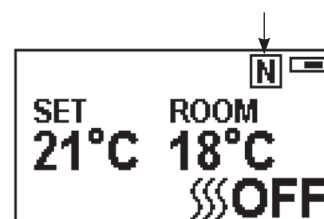
Premere il pulsante '+' per aumentare la luminosità.

Premere il pulsante '-' per ridurre la luminosità fino a spegnere.

MODALITÀ DI CONTROLLO NORMALE

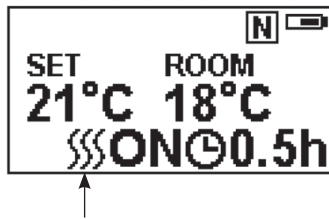
L'impostazione di default è la modalità di controllo normale.

In alternativa premere il pulsante **M** fino a visualizzare il **N** logo nell'angolo in alto a destra dello schermo.



Premere il pulsante '+' o '-' per regolare la temperatura impostata da 17 °C a 25°C.

Premere il pulsante **[[[A** per accendere/spengere il riscaldamento, nell'angolo in basso a destra comparirà **[[[ON** o **[[[OFF**.



Nota: È normale che il termoventilatore smetta di funzionare per dei periodi di tempo. Ciò accade se la temperatura della stanza è superiore alla temperatura impostata sul controllo.

L'indicatore del riscaldatore si spegne dopo 10 secondi se la fiamma è accesa. L'indicatore del riscaldatore rimarrà acceso se viene utilizzata solo la funzione di riscaldamento.

Se si spegne l'apparecchio con il telecomando mentre si trova in modalità di controllo normale, si interrompe l'emissione di luce e di calore.

CONTO ALLA ROVESCIA

Questa impostazione è solo nella normale modalità di controllo del riscaldamento. Consente all'apparecchio di tornare in standby dopo un determinato periodo di tempo. Il riscaldatore deve essere acceso per utilizzare questa funzione.

Premere **[C]** per scorrere in modo ciclico tra le impostazioni a partire da Off e da 0,5 ore a 9 ore. Il logo del timer e il tempo rimanente verranno visualizzati sullo schermo.

Il riscaldatore dell'apparecchio può essere avviato automaticamente utilizzando il timer giornaliero e il timer settimanale sul telecomando.

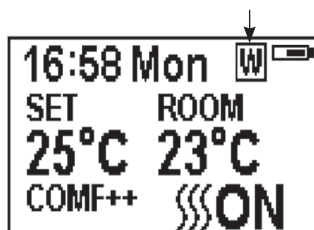
TIMER SETTIMANALE RISCALDAMENTO

Sono stati preimpostati i seguenti periodi di riscaldamento, che possono essere modificati se lo si desidera:

Da lunedì a venerdì
dalle ore 06:00 alle 08:30
dalle ore 17:00 alle 22:00

Da sabato a domenica
dalle ore 06:30 alle 09:30
dalle ore 11:00 alle 13:00
dalle ore 17:00 alle 22:00

Premere **[M]** fino a **[W]** visualizzare l'angolo in alto a destra dello schermo per accedere al timer settimanale della modalità di riscaldamento.



Tenere premuto il **[←]** pulsante per 6 secondi per accedere all'impostazione timer settimanale riscaldamento.

Premere '**←**' o '**→**' per spostare il cursore (una sottolineatura lampeggiante).

Premere il pulsante **[←]** nella posizione della settimana corrispondente per selezionare (il carattere è evidenziato) o annullare (il carattere viene visualizzato normalmente) l'impostazione corrente, contemporaneamente può essere selezionato lo stesso periodo.



Premere il pulsante '**→**' per spostare il cursore sull'area di impostazione del periodo di tempo.

Premere '**←**' o '**→**' per scegliere ore o minuti.

Premere '**+**' o '**-**' per regolare il numero.

È possibile impostare un massimo di 3 periodi di riscaldamento programmati al giorno.

Ad ogni pressione si ha un incremento/decremento di 15 minuti.

Premere **[←]** per impostare il periodo di riscaldamento per il giorno selezionato e tornare alla riga della settimana.

Premere il pulsante **[←]** per 3 secondi o attendere 10 secondi per salvare e uscire dall'impostazione del periodo di riscaldamento.

Premere **[←]** '**←**' o '**→**' per controllare l'impostazione del timer per la modalità di riscaldamento del timer settimanale.

Se è necessario spegnere il riscaldamento, sarà necessario tornare alla modalità di controllo normale.

Se si spegne l'apparecchio con il telecomando mentre si trova in modalità timer settimanale, si interrompe l'emissione di luce. L'uscita di calore continuerà secondo le impostazioni del timer.

REGOLAZIONE DELLA TEMPERATURA IMPOSTATA

Premere il pulsante '**+**' o '**-**' per aumentare o diminuire la temperatura sulla base della temperatura COMF.

COMF indica che la temperatura effettiva corrisponde a quella dell'impostazione.

ECO significa che la temperatura attuale è inferiore di 2°C rispetto alla temperatura impostata.

ECO- significa 4°C in meno.

COMF+ significa 2°C in più.

COMF++ significa 4°C in più.

CONTROLLO DI AVVIO ADATTIVO

In base alla temperatura ambiente e alla temperatura impostata, il riscaldatore determina automaticamente il tempo di riscaldamento appropriato per garantire che raggiunga la temperatura impostata nel tempo impostato (fino a 45 minuti prima del tempo impostato).

MODALITÀ AVANZATA

Lo stato di riscaldamento può essere anticipato fino al periodo successivo sia in modalità riscaldamento giornaliero che settimanale.



Se il riscaldatore è acceso nel periodo corrente, premendo il pulsante si spegne il riscaldatore.

Se il riscaldatore è spento nel periodo corrente, premendo il pulsante si accende il riscaldatore.

Che il riscaldamento effettivo sia acceso/spento dipende anche dalla temperatura della stanza e dalla temperatura impostata.

Se si preme **[[[A]]]** per accedere alla modalità avanzata in modalità di riscaldamento del timer giornaliero e settimanale, apparirà nell'angolo in alto a destra dello schermo **[A]**.

Premere **[[[A]]]** di nuovo, altrimenti allo scadere del tempo del timer si uscirà dalla modalità avanzata.

FINESTRA DI RILEVAMENTO APERTA

Quando il trasmettitore rileva un rapido calo della temperatura ambiente, verrà considerata come una finestra aperta: verrà visualizzata l'icona di avviso e il riscaldamento si spegnerà automaticamente.



Dopo l'aumento della temperatura interna o l'intervento manuale (azionando il telecomando), si tornerà al normale stato di funzionamento.

DELL'APPARECCHIO - RISOLUZIONE DEI PROBLEMI

PILA

Il livello di carica della batteria è indicato in alto a destra nella schermata del telecomando.

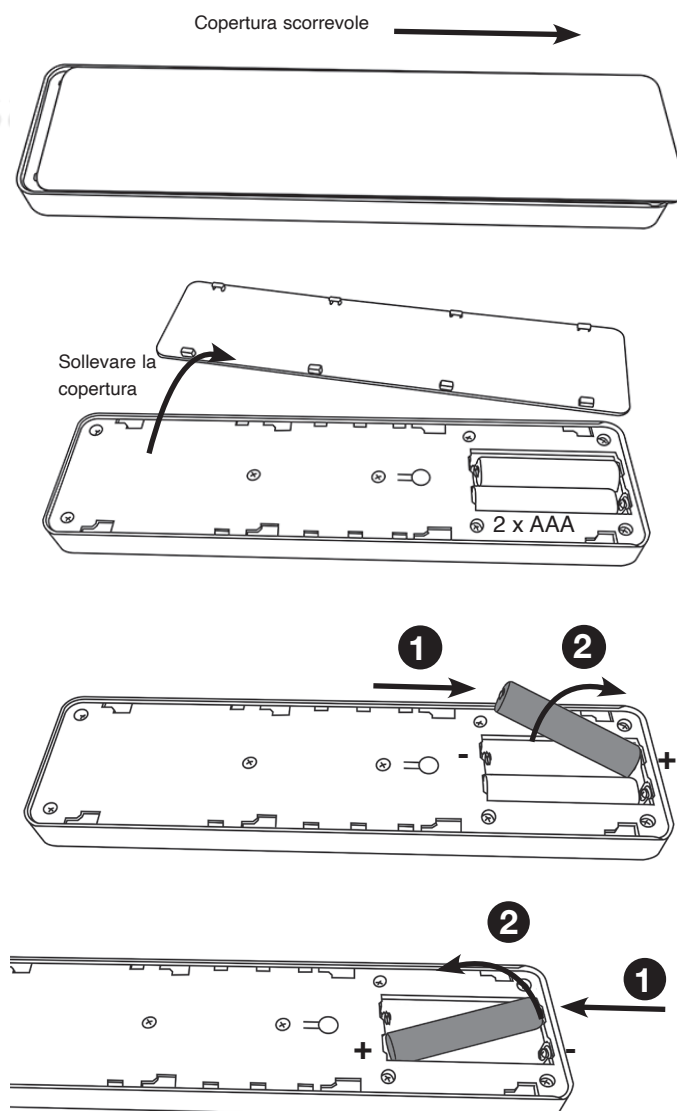
	Batteria carica	Nessuna azione richiesta
	Batteria a metà carica	Assicurarsi che siano disponibili nuove batterie.
	Batteria scarica	Sostituire immediatamente le batterie



NOTA: il telecomando è dotato di indicatore di stato della batteria (angolo in alto a destra), dopo un periodo di inattività, lo schermo LED smetterà di funzionare anche se il telecomando resterà in grado di inviare comandi
Sostituire le batterie per ripristinare il display.

SOSTITUZIONE DELLA BATTERIA

Le batterie scariche devono essere rimosse dall'apparecchio e smaltite in modo sicuro.



Assicurarsi che le pile del telecomando siano nuove e correttamente inserite.

Smaltire le pile vecchie presso una struttura di riciclaggio appropriata.

Si consiglia di sostituire le batterie dopo 1 anno. Il telecomando richiede due batterie AAA alcaline da 1,5 V.

Garantire la corretta polarità.
Non cortocircuitare i terminali.

Non tentare di ricaricare batterie non ricaricabili.

Rimuovere le batterie ricaricabili prima di caricarle.

Non mischiare batterie vecchie e nuove.

Rimuovere le batterie se l'apparecchio non viene utilizzato per lunghi periodi.

La modifica delle batterie non influirà sulle impostazioni della modalità del timer, tuttavia potrebbe essere necessario regolare l'orologio.



NOTA: Per utilizzare entrambe le funzioni remota e manuale, l'interruttore di accensione/spegnimento manuale deve essere in posizione "ON". Per evitare che il prodotto diventi troppo caldo, si verifica un ritardo di 10 secondi all'accensione del riscaldatore e un ritardo di 10 secondi quando si spegne la ventola del riscaldatore.

Il pulsante manuale controlla le funzioni di base, non una gamma completa di controlli. Utilizzare il telecomando per eseguire tutte le funzioni.

INDICATORI DI FUNZIONAMENTO DEL RISCALDATORE

Quando il termoventilatore viene utilizzato in combinazione con gli effetti della fiamma o del crogiolo di combustione, gli indicatori di funzionamento del riscaldatore si accendono per 10 secondi.

I LED si accendono per 10 secondi quando l'effetto fiamma o il crogiolo di combustione vengono accesi.

Se il termoventilatore viene utilizzato in modo indipendente, gli indicatori di funzionamento del riscaldatore rimangono accesi.

PULSANTE DI RIPRISTINO PER TELECOMANDO

Se il telecomando perde il segnale o deve essere sostituito, per informazioni più dettagliate, consultare Istruzioni manutenzione.

CODICE DI SEGNALE

Il telecomando funziona tramite segnale radio.

Il trasmettitore manuale è configurato in fabbrica con un codice di segnale unico.

IMPORTANTE: Se il telecomando perde il segnale o deve essere sostituito, per informazioni più dettagliate, consultare sezione manutenzione.

MANUTENZIONE

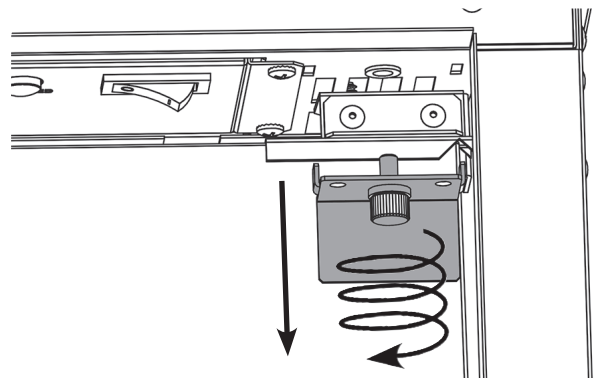
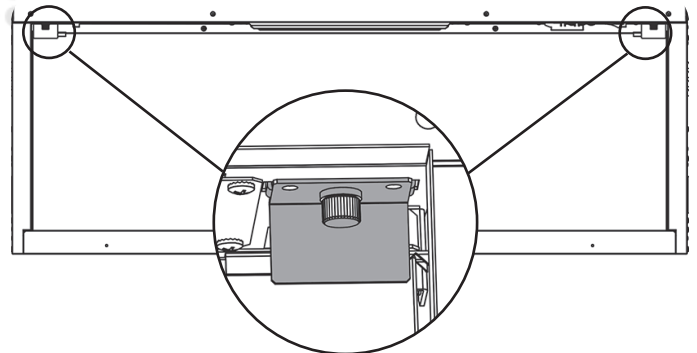
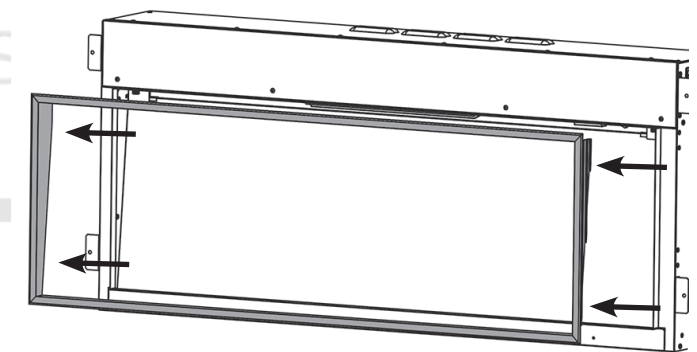
SCOLLEGARE SEMPRE DALLA RETE ELETTRICA PRIMA DI PULIRE O DI ESEGUIRE QUALSIASI TIPO DI MANUTENZIONE.

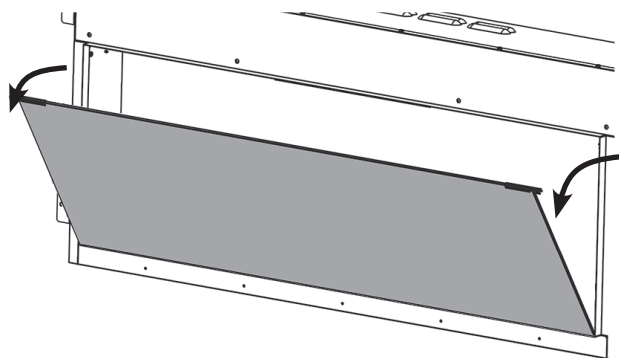
PULIZIA DELLE PARTI ANTERIORI

Passare un panno umido sul pannello in vetro e lucidare con un panno senza pelucchi.

Attenzione: non utilizzare detergenti abrasivi sul pannello in vetro. Non spruzzare direttamente liquidi su nessuna superficie dell'unità.

PULIZIA DELL'EFFETTO COMBUSTIBILE





Rimuovere e lavare l'effetto combustibile per eliminare eventuali particelle di polvere. In alternativa pulire con un panno privo di lanugine.

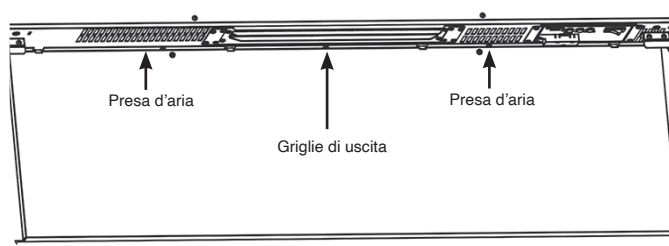
Verificare che l'effetto sia asciutto prima della sostituzione.

Sostituire l'effetto combustibile, vedere Istruzioni per l'installazione per la disposizione.

Sostituire seguendo l'ordine inverso.

PULIZIA DELLE PRESE D'ARIA

Pulire regolarmente la presa d'aria e le griglie di uscita con un panno morbido o con il becco dell'aspirapolvere.



Gli accumuli di polvere possono impedire il corretto funzionamento della ventola e causare l'attivazione dell'interruttore di sicurezza.

Tenere l'area intorno all'apparecchio pulita e libera da lanugine, polvere o peli di animali.

In particolare, è possibile che si formino degli accumuli di polvere, ecc. attorno all'area del riscaldatore in cima all'elettrodomestico. Prestare particolare attenzione a mantenere quest'area regolarmente libera da tali particelle per impedire gli accumuli.

INSTALLAZIONE

GENERALI

STRUMENTI NECESSARI

Saranno necessari cacciavite, livella, sega e trapano.

DISIMBALLAGGIO DEL CAMINETTO

ATTENZIONE! NON usare questo apparecchio se una parte qualsiasi è stata esposta all'acqua.

Chiamare immediatamente un tecnico dell'assistenza qualificato per l'ispezione e la riparazione di qualsiasi parte dell'impianto elettrico, se necessario.

Aprire attentamente la confezione e rimuovere il polistirolo.

Rimuovere e gettare la busta di plastica.

Tenere l'involucro di plastica fuori dalla portata dei bambini.

Prestare attenzione durante la manipolazione dei materiali di imballaggio.

Controllare che tutte le parti e gli accessori siano stati rimossi prima di gettare gli imballaggi.

Se necessario, conservare la confezione originale per il trasporto e/o lo stoccaggio futuri.

Testare l'apparecchio prima di procedere all'installazione.

INSTALLAZIONE DELL'APPARECCHIO

POSIZIONAMENTO DI ESTUDIO

Il nuovo eStudio può essere installato praticamente in qualsiasi punto della casa. Tuttavia, nella scelta della posizione, seguire le istruzioni generali.

La collocazione ideale del riscaldatore è in o su una parete piana interna realizzata con assicelle di legno e intonaco o in cartongesso. I fissaggi forniti sono SOLO per pareti in mattoni. Assicurarsi di usare fissaggi adatti quando il montaggio avviene su pareti vuote o costruite appositamente. NOTA: Questo apparecchio non è adatto per pareti a intercapedine, per essere posizionato a ridosso di pareti esterne, camini aperti o altre aperture che potrebbero essere soggetti a umidità e spifferi, salvo il caso in cui vengano prese le giuste precauzioni per evitare che l'apparecchio entri in contatto con umidità o spifferi. Per simili installazioni è necessario sigillare completamente eventuali condotti dell'aria per camini già esistenti o realizzati appositamente.

Per i migliori risultati, installarlo lontano dalla luce solare diretta.

L'apparecchio deve essere installato in una costruzione con asticelle di legno e intonaco creata per lo scopo. Si prega di assicurarsi che vengano usati dei fissaggi adatti quando si fissa in qualsiasi parete vuota o con cavità.

Assicurarsi che non vi siano tubi o cavi dietro la zona da forare o tagliati.

Prima dell'installazione assicurarsi che la parete sia costruita in modo adeguato per sostenere il peso dell'apparecchio.

L'apparecchio deve essere posizionato vicino a una presa elettrica adatta per consentire il collegamento. Un'estensione può essere eseguito da una presa esistente, ma ciò deve essere effettuato da un tecnico elettrico qualificato.

La presa elettrica deve essere facilmente accessibile per consentire lo scollegamento una volta montato l'apparecchio.

Se il cavo di alimentazione è danneggiato, non utilizzare l'apparecchio finché non viene sostituito. Per motivi di sicurezza, la sostituzione deve essere effettuata da un responsabile dell'assistenza elettricista.

Assicurarsi che tende e mobili non sono posizionati in prossimità della posizione scelta, in quanto ciò creerebbe un potenziale rischio di incendio o ostruire i condotti di scarico del riscaldatore.

ATTENZIONE! TENERE QUALSIASI MATERIALE COMBUSTIBILE AD ALMENO 1 M DI DISTANZA DALLA PARTE ANTERIORE E DAI LATI DEL CAMINETTO ELETTRICO.

REQUISITI DI RIPARAZIONE



DURANTE LA RIPARAZIONE DI QUESTO APPARECCHIO POTREBBE ESSERE NECESSARIO TAGLIARE LE FASCETTE DEI CAVI PER RAGGIUNGERE E TOGLIERE ALCUNE PARTI. QUESTE DEVONO ESSERE RIMESSE AL LORO POSTO QUANDO DI RIMONTA L'APPARECCHIO.

QUESTO APPARECCHIO DEVE ESSERE RIPARATO SOLO DA PERSONALE QUALIFICATO.

PRIMA DI MANEGGIARE L'APPARECCHIO: SPEGNERE L'APPARECCHIO, ISOLARE L'ALIMENTAZIONE E ASSICURARSI CHE L'APPARECCHIO NON SIA ALIMENTATO DALLA CORRENTE.

Attendere almeno 10 minuti, in modo da far raffreddare l'unità.

Sostituzione delle pile del telecomando

Sostituire con 2 x pila AAA. Assicurarsi che la pila sia correttamente installata nel telecomando.



**NOTA: il telecomando è dotato di indicatore di stato della batteria (angolo in alto a destra), dopo un periodo di inattività, lo schermo LED smetterà di funzionare anche se il telecomando resterà in grado di inviare comandi
Sostituire le batterie per ripristinare il display.**

Manutenzione dei motori

I motori utilizzati nella ventola e nell'effetto fiamma sono già lubrificati per aumentare la durata dei cuscinetti e non richiedono ulteriore lubrificazione. Tuttavia, si consiglia una pulizia/aspirazione periodica della ventola/riscaldatore.

Reimpostazione dell'interruttore termico di sicurezza

L'apparecchio è dotato di un controllo elettronico di sicurezza (E.S.), un dispositivo di sicurezza che spegne il caminetto se si surriscalda per qualsiasi motivo, ad esempio se viene coperto.

Se il riscaldatore smette di funzionare e l'effetto fiamma continua a funzionare, significa che il controllo E.S. si è attivato.

Il controllo E.S. può essere reimpostato solo dopo che l'apparecchio si è raffreddato.

Per reimpostare il controllo E.S.:

Spegnere l'apparecchio (interruttore manuale On/Off) e lasciarlo raffreddare per circa 120 minuti.

Rimuovere eventuali ostruzioni dall'uscita del riscaldatore a ventola o da altre parte interne.

Accendere l'apparecchio e il controllo E.S. si reimposterà.

Assicurarsi che l'apparecchio funzioni correttamente. Se il controllo E.S. si riattiva, far controllare l'apparecchio da un elettricista qualificato.

VIKTIG

DELER AV DET YTRE KABINETTET AV DETTE APPARAT ER AV PRODUSENTEN ANSETT FOR Å VÆRE EN ARBEIDSOVERFLATE SOM BLIR VARM NÅR DEN ELEKTRISKE PEISEN SLÅS PÅ. DET ER DERFOR ANBEFALT AT EN BRANNVAKT OVERHOLDER BS 8423 (SISTE UTGAVE) BRUKES I NÆRVÆR AV SMÅ BARN, ELDRE ELLER BEVEGELSESHEMMEDE. RILLENE FORAN VARMEUTTAKET BLIR VELDIG VARME UNDER BRUK. IKKE DEKK TIL RILLENE ELLER NOEN ANNEN DEL AV APPARATET.

Kun for bruk med 230 V 50Hz strømtilførsel.

Vennligst les disse instruksjonene nøye før bruk og oppbevar dem på et trygt sted. Det vil bli bruk for dem når det skal utføres service eller vedlikehold på enheten.

DENNE PEISEN MÅ TILKOBLES JORD

DETTE PRODUKTET ER KUN EGNET FOR GODT ISOLERTE ROM OG SPORADISK BRUK.

VIKTIG INFORMASJON HELSE OG SIKKERHET

Les alle instruksjonene nøye før du tar i bruk peisen. Fjern all emballasje og sørg for å avhende emballasjen på en gjenvinningsstasjon.

Ikke plasser denne peisen umiddelbart rett under et strømkontakt.

Deler av det ytre kabinettet av dette apparat er av produsenten ansett for å være en arbeidsoverflate som blir varm når den elektriske peisen slås på. Du må bruke egnet brannsikring for å beskytte barn, eldre og funksjonshemmede.

Ikke bruk peisen i nærheten av bad, dusj, svømmebasseng eller annet område der peisen kan komme i kontakt med vann eller fuktighet, f.eks. i baderom.



ADVARSEL! IKKE DEKK TIL

Ikke la peisen bli tildekket eller la luftinntak/-avløp bli hindret da dette kan føre til overoppheting. Vennligst merk deg advarselssymbolet på peisen (se over).

Kun for innendørs bruk. Peisen er ikke egnet for bruk utenfor huset.

Dette apparatet må monteres i en tilpasset ramme av reisverk. Påse at apparatet er i vater og at møbler, gardiner osv. ikke er plassert nærmere enn 1 m.

Om strømledninger må passere gjennom en peis, steininramming e.l. må det passes på at det monteres egnede gummihylser på mulige slitepunkter.

Ved installering i en åpen peis må pipen blendes av for å redusere faren for baktrekk som kan forårsake at sikkerhetsavstengingen løses ut.

Hold strømledningen unna varme overflater og varme generelt. Ikke legg strømledningen foran peisen.

Ved installering i en åpen peis må pipen blendes av for å redusere faren for baktrekk som kan forårsake at sikkerhetsavstengingen løses ut.

Dersom strømkabelen er ødelagt, må du ikke bruke peisen før du har byttet den. Av sikkerhetsmessige grunner bør dette arbeidet utføres av Gazco servicepersonell eller elektriker med godkjent kompetanse.

ADVARSEL: For å unngå en fare grunnet utilsiktet tilbakestilling av den termiske sikringsautomaten, må denne anordningen ikke få strømtilførsel via et eksternt bryter-apparat, slik som en tidsbryter. Den må heller ikke kobles til en krets som regelmessig skrur på og av strømforsyningen.

Ikke bruk peisen hvis den har fått skader.

Reparasjoner av elektriske apparater må bare gjøres av autoriserte teknikere. Dersom peisen ikke virker eller det er blitt ødelagt, vennligst kontakt forhandleren som solgte deg peisen.

Dette apparatet kan brukes av barn fra 8 år og oppover og av personer med redusert fysisk, sensorisk eller mentale evner, eller mangel på erfaring og kjennskap, dersom de er under tilsyn eller har blitt gitt instruksjoner om bruk av apparatet på en trygg måte og de forstår farene som er involvert. Barn skal ikke leke med apparatet.

Rengjøring og brukervedlikehold skal ikke utføres av barn uten tilsyn.

Barn under 3 år bør holdes unna med mindre de er kontinuerlig overvåket.

Barn i alderen mellom 3 og 8 år skal kun slå apparatet på/ av dersom det er plassert og montert i dens tiltenkte normale driftsposisjon og de er under tilsyn eller har blitt gitt instruksjoner om bruk av apparatet på en trygg måte og de forstår farene involvert. Barn i alderen mellom 3 og 8 år skal ikke plugge inn, justere og rengjøre apparatet eller utføre vedlikehold.

Forsiktig: Noen deler av dette produktet kan bli veldig varme og forårsake forbrenning. Spesiell oppmerksomhet må gis der barn og sårbare mennesker er til stede.

Gazco anbefaler uansett:

Dette apparatet er ikke tiltenkt brukt av personer under 12 år, personer med nedsatt fysisk, sensorisk eller mental evne, eller personer som mangler erfaring og kjennskap til trygg betjening av apparatet.

Apparatet kan betjenes av personer over 12 år forutsatt at de har fått instruksjon i trygg bruk av apparatet og at de forstår hvilke farer som er involvert. Personer over 12 år kan også betjene apparatet under tilsyn av en ansvarlig voksen person.

Deler av dette apparatet blir varme under drift og personer under 12 år må ikke under noen omstendigheter forlates alene med produktet når det er i drift med mindre det brukes et varmeskjold for å beskytte dem mot direkte kontakt med apparatet.

Barn skal ikke leke med apparatet.

Rengjøring og brukervedlikehold skal ikke utføres av barn uten tilsyn.

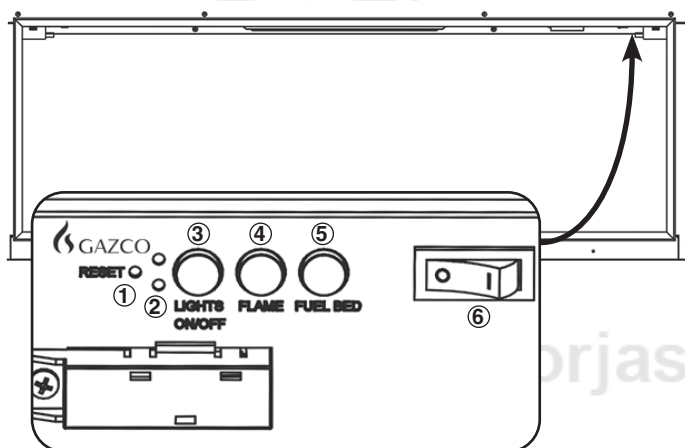
BETJENINGSINSTRUKSER



ADVARSEL! Ikke bruk peisen hvis det har fått skader. Dersom du mistenker at peisen er ødelagt eller ikke fungerer som det skal, kontakt en godkjent tekniker for å inspisere peisen og, dersom nødvendig, bytt ut den aktuelle delen i det elektriske systemet før du bruker peisen igjen.

Strømtilførselen må ikke frakobles når peisen er På. Bruk funksjonene på fjernkontrollen for å slå av peisen og forsikre deg om at skillebryteren er satt i Av-stilling før strømmen frakobles.

MANUELT KONTROLLPANEL



1. Tilbakestillingsknapp for fjernkontroll
2. Varmeapparat driftsindikatorer
3. Alle lys På/Av-knapp
4. Knapp for innstilling av flamme
5. Brennkammer innstillingsknapp
6. Strømnettet Av/På-bryter On/Off)

BETJENINGSINSTRUKSER

Trykk på 6 for å slå apparatet på/av.



MERK: For å bruke både fjernkontrollen og manuelle funksjoner må den manuelle på/av-bryteren stå i posisjon 'PÅ'. For å unngå at produktet blir for varmt, er det en 10 sekunders forsinkelse når du skrur på varmeapparatet, og en 10 sekunders forsinkelse når du skrur av vifteovnen.

Den manuelle knappen kontrollerer grunnleggende funksjoner, ikke en hel serie med kontroller. Bruk fjernkontrollen for å utføre alle funksjonene.

Trykk på 3 for å slå flammer og brennkammer på/av samtidig.

Trykk på 4 for å velge fargen på flammen eller gå tilbake til AV-posisjon.

Det er tre flammefargevalg:

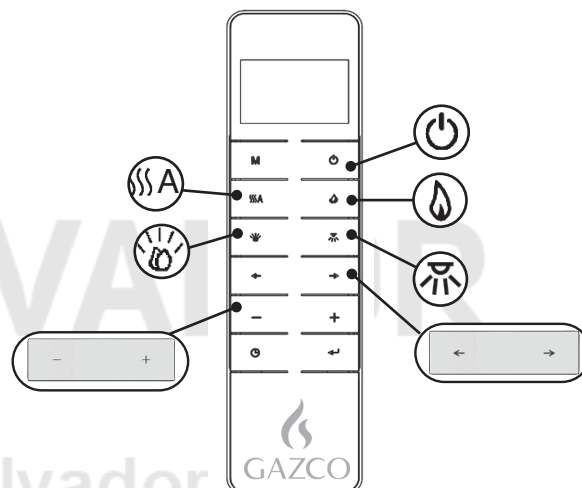
Trykk på 5 for å velge fargen på brennkammeret eller gå tilbake til AV-posisjon.

Det er 14 brennkammerfargevalg:

Merk: Apparatet vil miste minnet for lysfunksjonene når bryteren er satt i Av-posisjon eller fjernkontrollen går tom for strøm.

FJERNKONTROLLER

Fjernkontrollen bør legges på et flatt underlag i rommet der apparatet er montert og vekk fra enhver direkte varmluftsstrøm.



- Strøm

A - Oppvarming

- Flamme

- Brennkammer

- Lysstripe

- Alternativer farge

- Nivåer

BETJENINGSINSTRUKSER

- HURTIGSTART



Slå apparatet på/av

Apparatet vil starte på innstillingen som ble sist brukt.



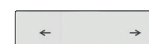
Slå varmeapparatet på/av.



- Øk eller reduser varmeeffekten.

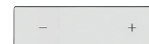


Slå flammeeffekten på/av.



- Endre fargealternativet.

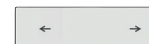
Det er tre flammefargevalg:



- Øk eller reduser lysstyrken.

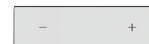


Slå brennkammereffekten på/av.



- Endre fargealternativet.

Det er 14 brennkammerfargevalg:

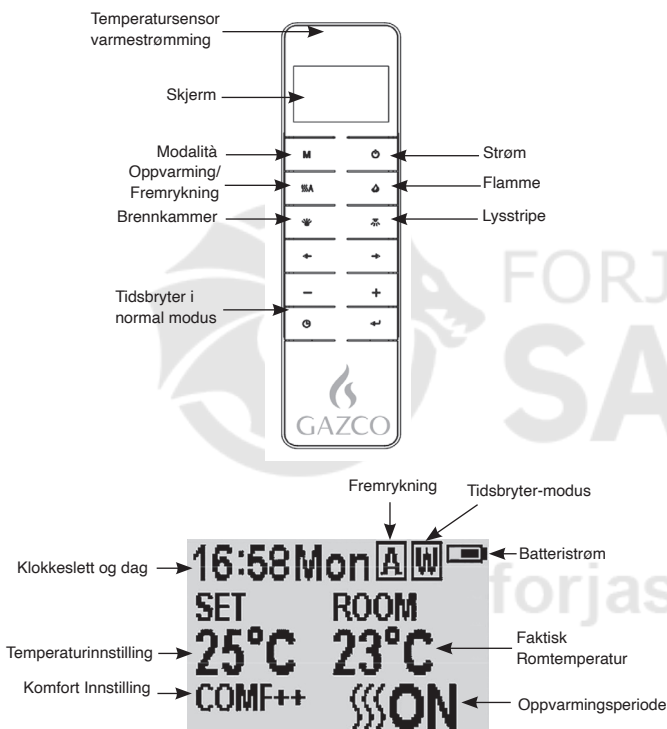


- Øk eller reduser lysstyrken.

Slå lysstripen på/av.

- ← → - Endre fargealternativet.
Det er 14 fargevalg:
- + - Øk eller reduser lysstyrken.

BETJENINGSINSTRUKSER - AVANSERT BRUK



Trykk p  knappen '+' eller '-' for   justere tallet.

Klokkeslett: 24-timers system.
Velg komforttemperatur fra 15-25 C.
Temperatur-enhet:  C/ F.

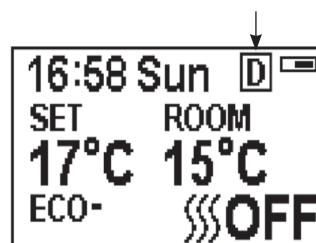
Trykk p  knappen i 3 sekunder eller vent i 10 sekunder for   lagre og g  ut av innstillingen av uke, klokkeslett og oppvarmingstemperatur.

DAGLIG TIDSINNSTILT OPPVARMING

De f lgende oppvarmingsperiodene har blitt forh ndsinnstilt, og disse kan endres dersom det er  nskelig:

06:00 til 08.00
17.00 til 22.00

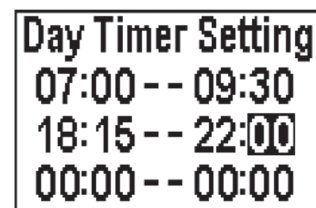
Trykk p  **M** inntil **D** vises i  vre h yre hj rne p  skjermen for   g  inn i modusen for daglig tidsinnstilt oppvarming.



Hold knappen inne i 6 sekunder for   g  inn i innstillingen for daglig oppvarming.
Maksimalt 3 tidsinnstilte oppvarmingsperioder kan stilles inn per dag.

Trykk p  '<' eller '>' for   velge time eller minutter,

Trykk p  '+' eller '-' for   stille inn tallet.
Minuttene  ker / synker med 15 min per trykk.



Hold knappen inne i 3 sekunder eller vent i 10 sekunder for   lagre og g  ut av innstillingen av oppvarmings-tidsperiode.

Sjekk tidsinnstillingen. Trykk p  for   sjekke modusen for daglig tidsinnstilling.

Dersom du vil skru av oppvarmingen, m  du g  tilbake til normal kontrollmodus for   skru den av.

N r den er i modus for daglig tidsinnstilling, vil det   skru apparatet av med fjernkontrollen f re til at lysproduksjonen stanser. Varmeproduksjonen vil fortsette i samsvar med tidsinnstillingen.

SKRU P /AV

Trykk p  knappen for   skru p  flamme-effekten.

Trykk p  knappen for   skru av alle funksjonene under normal varmekontroll-modus inkludert flamme-effekt og vitteovn.

Trykk p  knappen for   skru av flamme-effekten under daglig og ukentlig tidsbryter-varmemodus.

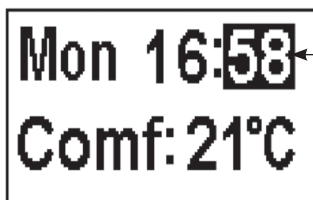
UKEDAGER/ KLOKkesLETT/ KOMFORTTEMPERATUR OG INNSTILLING AV ENHET

S rg for at klokken er riktig stilt.

Hold **M** knappen inne i 3 sekunder for   g  inn i skjermbildet for innstillinger.

Trykk p  knappen '<' eller '>' for   velge innstillingen som skal endres.

Det valgte tegnet vil fremheves.



JUSTERING AV DEN INNSTILTE TEMPERATUREN

Trykk på knappen '+' eller '-' for å øke eller redusere temperaturen fra utgangspunktet COMF-temperatur.

COMF betyr at den faktiske temperaturen er det samme som innstillingen.

ECO betyr at den faktiske temperaturen er 2°C lavere enn den innstilte temperaturen.

ECO- betyr 4°C lavere.


COMF+ betyr 2°C høyere.

COMF++ betyr 4°C høyere.

ADAPTIV STARTKONTROLL

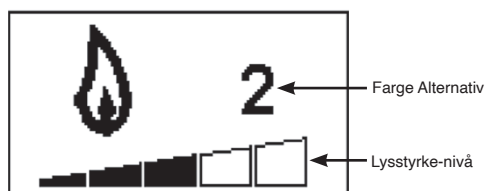
I samsvar med romtemperatur og innstilt temperatur, vil varmeapparatet automatisk avgjøre den hensiktsmessige tiden det vil ta å varme opp, for å sørge for at den når den innstilte temperaturen i den innstilte tiden (opptil 45 minutter før det innstilte klokkeslettet).

JUSTERING AV FLAMMEFARGE

Trykk på  knappen for å gå inn i skjermbildet for flammjustering.

Det er 3 alternativer for flammefarge, indikert av nummeret.

Det er 6 nivå av lysstyrke, inkludert av. Dette er indikert av streken, og den tomme streken indikerer av.




Trykk på knappen '<' eller '>' for å gå gjennom alternativene for flammefarge.

Trykk på knappen '+' for å øke flammens lysstyrke.

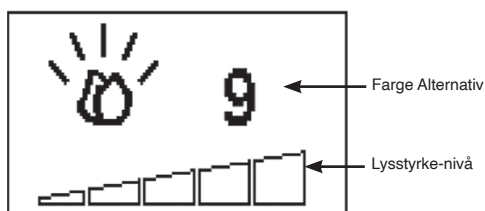
Trykk på knappen '-' for å redusere flammens lysstyrke inntil den går av.

JUSTERING AV BRENNKAMMER-FARGE

Trykk på  for å gå inn i skjermbildet for lysjustering av brennkammeret.

Det er 14 alternativer for brennkammerfarge, indikert av nummeret vist i diagram.

Det er 6 nivå av lysstyrke, inkludert av. Dette er indikert av streken, og den tomme streken indikerer av.




Trykk på knappen '<' eller '>' for å gå gjennom alternativene for brennkammerfarge.

Trykk på knappen '+' for å øke brennkammerets lysstyrke.

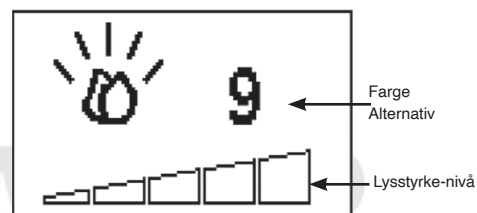
Trykk på knappen '-' for å redusere brennkammerets lysstyrke inntil den går av.

JUSTERING AV LYSSTRIPE

Trykk på  for å gå inn i skjermbildet for lysjustering.

Det er 14 alternativer, indikert av nummeret vist i diagram.

Det er 6 nivå av lysstyrke, inkludert av. Dette er indikert av streken, og den tomme streken indikerer av.



Trykk på knappen '<' eller '>' for å gå gjennom alternativene.

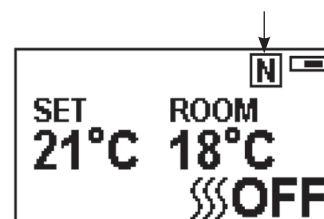
Trykk på knappen '+' for å øke lysstyrke.

Trykk på knappen '-' for å redusere lysstyrke inntil den går av.




NORMAL KONTROLLMODUS

Normal kontrollmodus er default-innstilling.

Alternativt kan du trykke på **M** knappen inntil **N** logoen vises øverst til høyre på skjermen.



Trykk på knappen '+' eller '-' for å justere temperaturinnstillingen fra 17 °C til 25°C.

Trykk på knappen  **A** for å skru varmen på/av,  **PÅ** eller  **AV** vil vises nederst i høyre hjørne på skjermen.




Merk: Den er normalt at vifteovnen stanser i tidsperioder. Dette skjer dersom romtemperaturen er høyere enn temperaturen stilt inn på kontrollen.

Varmeapparatets indikator vil skrus av etter 10 sekunder dersom flammen er skrudd PÅ. Varmeapparatets indikator vil forbli PÅ dersom kun varmefunksjonen brukes.

Når den er i normal kontrollmodus, vil det å skru av apparatet med fjernkontrollen føre til at både lysproduksjonen og varmeproduksjonen stanser.

NEDTELLING TIDSBRYTER

Denne innstillingen er kun i normal oppvarming kontrollmodus. Den gjør at apparatet kan gå tilbake i hvilemodus etter en innstilt tidsperiode. Varmeapparatet må skrues på for å bruke denne funksjonen.

Trykk på  for å gå gjennom innstillingen fra Av og 0,5 timer til 9 timer. Tidsbryterens logo og gjenværende tid vil vises på skjermen.


Apparatets varmeeinheit kan drives automatisk ved å bruke daglig tidsinnstilling og ukentlig tidsinnstilling på fjernkontrollen.

UKE TIDSINNSTILT OPPVARMING


De følgende oppvarmingsperiodene har blitt forhåndsinnstilt, og disse kan endres dersom det er ønskelig:


Fra mandag til fredag
06:00 til 08:30
17.00 til 22.00


Fra lørdag til søndag
06.30 til 09.30
11.00 til 13.00
17.00 til 22.00

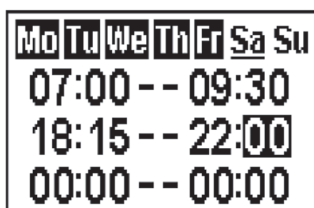
Trykk på **M** inntil  vises i øvre høyre hjørne på skjermen for å gå inn i modusen for uke tidsinnstilt oppvarming.

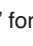




Hold knappen  inne i 6 sekunder for å gå inn i innstillingen for uke oppvarming.

Trykk på '' eller '' for å flytte markøren (en blinkende understrekning).

Trykk på  knappen på den tilhørende uke-posisjonen for å velge (karakteren blir markert) eller avbryte (karakteren vises normalt) den inneværende innstillingen, den samme tidsperioden kan velges sammen.




Trykk på knappen '' for å flytte markøren til innstillingsområdet for tidsperiode.

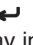
Trykk på '' eller '' for å velge time eller minutter.


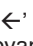
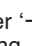
Trykk på '+' eller '-' for å stille inn tallet.

Maksimalt 3 tidsinnstilte oppvarmingsperioder kan stilles inn per dag.

Minuttene øker / synker med 15 min per trykk.

Trykk på  for å stille inn oppvarmingstid for den valgte dagen og gå tilbake til ukelinjen.

Hold knappen  inne i 3 sekunder eller vent i 10 sekunder for å lagre og gå ut av innstillingen av oppvarmings-tidsperiode.

Trykk på  '' eller '' for å sjekke tidsinnstillingen for uke tidsinnstilt oppvarming.

Dersom du vil skru av oppvarmingen, må du gå tilbake til normal kontrollmodus for å skru den av.

Når den er i modus for uke tidsinnstilling, vil det å skru av apparatet med fjernkontrollen føre til at lysproduksjonen stanser. Varmeproduksjonen vil fortsette i samsvar med tidsinnstillingen.

JUSTERE INNSTILT TEMPERATUR

Trykk på knappen '+' eller '-' før å øke eller redusere temperaturen fra utgangspunktet COMF-temperatur.

COMF betyr at den faktiske temperaturen er det samme som innstillingen.

ECO betyr at den faktiske temperaturen er 2°C lavere enn den innstilte temperaturen.

ECO- betyr 4°C lavere.

COMF+ betyr 2°C høyere.

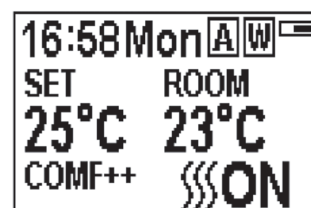
COMF++ betyr 4°C høyere.

ADAPTIV STARTKONTROLL

I samsvar med romtemperatur og innstilt temperatur, vil varmeapparatet automatisk avgjøre den hensiktsmessige tiden det vil ta å varme opp, for å sørge for at den når den innstilte temperaturen i den innstilte tiden (opptil 45 minutter før det innstilte klokkeslettet).

FREMRYKNINGS-MODUS

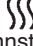

Oppvarmings-tilstanden kan rykke frem til neste periode, og dette er under både daglig og uke tidsinnstilt oppvarming.




Dersom varmeapparatet er på i den inneværende perioden, vil det å trykke på knappen skru varmeapparatet av.

Dersom varmeapparatet er av i den inneværende perioden, vil det å trykke på knappen skru varmeapparatet på.

Hvorvidt den faktiske oppvarmingen er på/av avhenger også av romtemperaturen og den innstilte temperaturen.

Trykk på  for å gå inn i Fremryknings-modus under daglig og uke tidsinnstilt oppvarming,  vil vises øverst i høyre hjørne på skjermen.

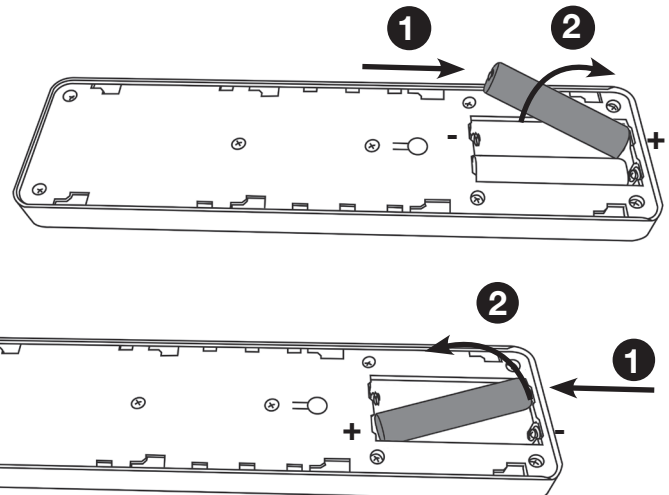
Trykk på  en gang til eller så vil tidsperioden slutte og gå ut av Fremryknings-modus.

PÅVISNING AV ÅPNE VINDUER

Når senderen oppdager et raskt fall av romtemperaturen, vil dette oppfattes som et åpent vindu: varsel-ikonet vil vises og oppvarmingen vil automatisk skrus av.



Etter at innendørstemperaturen stiger eller etter manuelt inngrep (ved å bruke fjernkontrollen), vil det gå tilbake til normal driftsstatus.



BETJENINGSINSTRUKSER - FEILSØKING

BATTERI

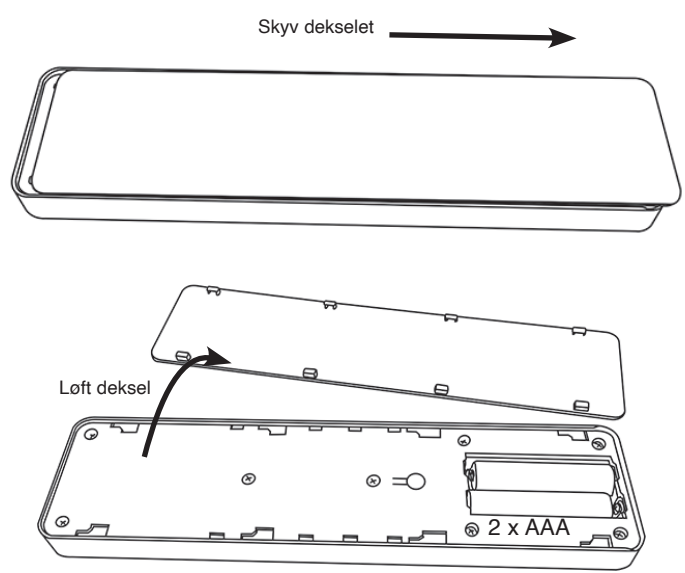
Batteriets strømnivå indikeres øverst til høyre på fjernkontrollens skjermbilde.

	Batteri fullt	Ingen handling kreves
	Batteri halvfullt	Sørg for at nye batterier er tilgjengelige.
	Batteri tomt	Skift ut batterier umiddelbart

i **MERK: Fjernkontrollen har en batteristatusindikator (øverst i høyre hjørne). Etter en lengre periode med tom visning, vil LED-skjermen slutte å fungere til tross for at håndsettet fremdeles kan sende kommandoer. Erstatt batteriet for å gjenopprette displayet.**

UTSKIFTING AV BATTERI

Ubrukte batterier skal tas ut av apparatet og kastes på en sikker måte.



Forsikre deg om at batteriet i fjernkontrollen er nytt og er satt i korrekt.

Gamle batterier må kasseres på godkjent gjenvinningsstasjon.

Utskiftning av batterier er anbefalt etter 1 år. Fjernkontrollen bruker 1.5V alkaliske AAA batterier.

Sørg for riktig polaritet. Ikke kortslut terminalene.

Ikke prøv å lade opp ikke-oppladbare batterier.

Ta ut oppladbare batterier før du lader den.

Ikke bland gamle og nye batterier.

Ta ut batteriene hvis apparatet ikke skal brukes i lange perioder. **Å skifte ut batteriene vil ikke påvirke innstillingene av tidsbryter-modus, men det kan hende at klokken må stilles.**

i **MERK: For å bruke både fjernkontrollen og manuelle funksjoner må den manuelle på/av-bryteren stå i posisjon 'PÅ'. For å unngå at produktet blir for varmt, er det en 10 sekunders forsinkelse når du skrur på varmeapparatet, og en 10 sekunders forsinkelse når du skrur av vifteovnen.**

Den manuelle knappen kontrollerer grunnleggende funksjoner, ikke en hel serie med kontroller. Bruk fjernkontrollen for å utføre alle funksjonene.

VARMEAPPARAT DRIFTSINDIKATORER

Når vifteovnen brukes sammen med flamme- eller brennkammer-effekt vil varmeapparatets driftsindikatorer lyse opp i 10 sekunder.

LED-lampene vil lyse i 10 sekunder dersom flamme- eller brennkammer-effekt er På.

Dersom vifteovnen brukes uavhengig, vil varmeapparatets driftsindikatorer forbli på.

TILBAKESTILLINGSKNAPP FOR FJERNKONTROLL

Dersom håndkontrollen mister signal eller behøves å skiftes ut, se vedlikeholdsavsnittet for mer detaljer.

SIGNALKODE

Fjernkontrollen virker via radiosignal.

Den håndholdte senderen er konfigurert på fabrikken med en unik signalkode.

VIKTIG: Dersom håndkontrollen mister signal eller behøves å skiftes ut, se vedlikeholdsavsnittet for mer detaljer.

RENGJØRING

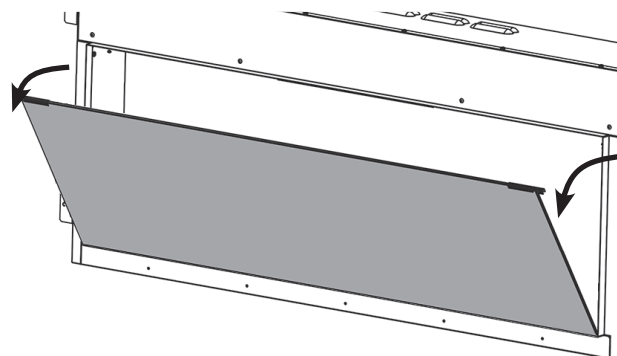
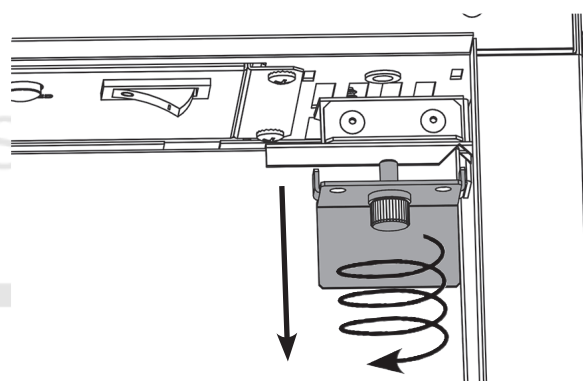
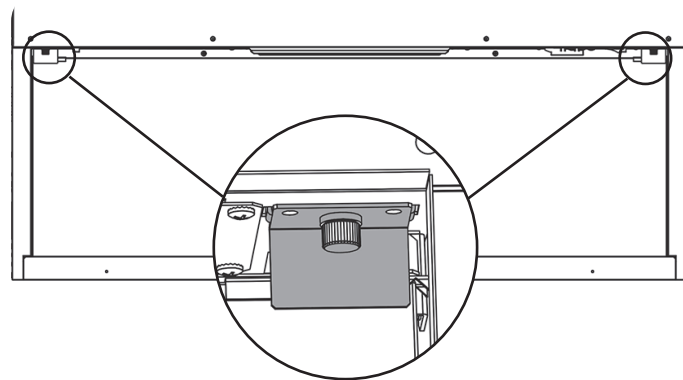
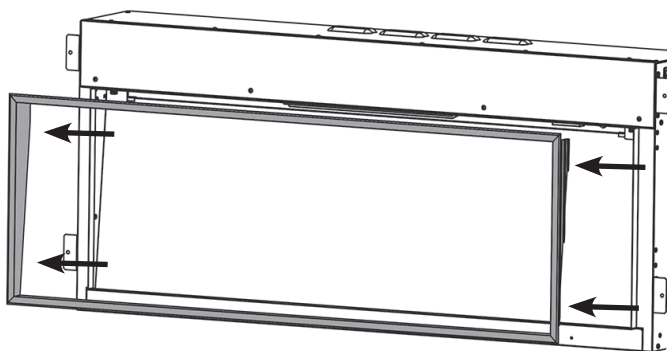
TA ALLTID STØPSLET UT AV STRØMKONTAKTEN FØR DU GJØR RENT ELLER UTFØRER NOEN FORMER FOR VEDLIKEHOLD.

RENGJØRING AV FRONTER

Tørk av glasspanelet med en fuktig klut og poler med en løfri støvfille.

Forsiktig! Ikke bruk rengjøringsmidler med slipemiddel på glasspanelet. Ikke sprut væske direkte på noen av overflatene på enheten.

RENGJØRING AV BRENSELEFFEKTER



Fjern og rengjør brenseleffekten for å fjerne alle støvpartikler. Eller rengjør med en løfri støvfille.

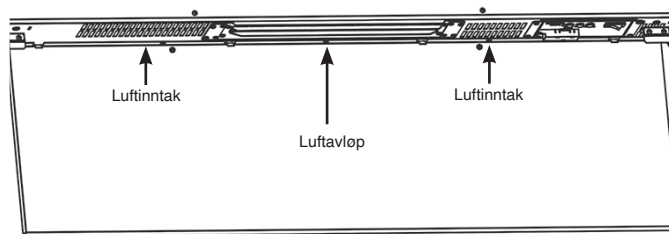
Påse at effekten er tørr før den settes tilbake.

Erstatt brenseleffekten se Monteringsveiledning for layout.

Sett tilbake i omvendt rekkefølge.

RENGJØRING AV LUFTINTAK

Rengjør ristene ved inntaket og avløpet jevnlig med en myk klut eller munnstykket på en støvsuge.



Oppsamlet støv kan hindre effektiv ytelse på viften og føre til aktivering av termisk sikringsautoma.

Hold området rundt peisen rent og fritt for lo, støv eller hår fra kjøledyr.

Opphopning av støv og lignende kan særlig oppstå rundt varmeområdet på toppen av apparatet. Vær spesielt nøye med å holde dette området fritt for slike partikler, rengjør jevnlig for å hindre oppsamling.

www.forjas-salvador.com

INSTALLASJON

GENERELL INFORMASJON

NØDVENDIG VERKTØY

En skrutrekker, vaterpass, sag og drill trengs.

UTPAKKING AV DEN ELEKTRISKE PEISEN

ADVARSEL! IKKE bruk denne peisen hvis noen del har vært utsatt for vann.

Kontakt en kvalifisert tekniker umiddelbart for å inspisere og bytte ut aktuelle deler av det elektriske anlegget dersom det er nødvendig.

Åpne innpakningen forsiktig, og fjern polystyrenet. Ta av plastposen og kast den. Hold plastemballasjen unna barn. Behandle emballasjematerialet på en ansvarlig måte.

Sjekk at alle deler og alt tilbehør er tatt ut før du kvitter deg med emballasjen.

Om nødvendig kan du beholde originalemballasjen for fremtidig transport og/eller lagring.

Test apparatet før installasjon.

MONTERE PEISEN

Plassering av eStudio

Din nye eStudio kan faktisk installeres hvor som helst i hjemmet ditt. Når du velger plassering, er det imidlertid viktig at generelle instruksjoner følges.

Varmeapparatet bør ideelt sett monteres i/på en intern flat vegg konstruert av enten stuarbeid og gipsplateblokk/murstein. Festelementene som følger med må KUN brukes på murvegger. Vennligst se til at egnede fester brukes ved innfesting i en hul vegg eller spesialbygget hulrom.

MERK: Dette apparatet er ikke egnet for montering på hulmur, på baksiden av en yttervegg, åpen skorstein eller åpninger som kan være fuktige eller trekkfulle, med mindre det tas tilstrekkelige forholdsregler for å unngå at apparatet kommer i kontakt med fuktighet eller overdreven trekk. I slike installasjoner bør eventuelle eksisterende skorstein og/eller spesialbygde luftåpninger være helt forseglert.

For best resultat, installer vekk fra direkte sollys.

Apparatet bør monteres i en tilpasset ramme av reisverk. Vennligst se til at egnede fester brukes ved innfesting i en hul vegg.

Pass på at det ikke er noen rør eller ledninger bak området som skal bores eller kuttet.

Pass alltid på at apparatet er tilstrekkelig underbygget og sitter på en fast struktur ved montering over gulvnivå.

Peisen bør plasseres nært en egnet strømkontakt. En utvidelse kan kjøres fra en eksisterende stikkontakt, men dette må utføres av en kvalifisert elektriker.

Strømkontakten skal være lett tilgjengelig slik at strømmen kan kobles fra når peisen er montert.

Hvis strømledningen er skadet, må den repareres av produsenten, dens autorisert servicesenter eller profesjonell person.

Sørg for at gardiner og møbler ikke er plassert nær den valgte posisjon, da dette ville skape en potensiell brannfare eller blokkere varmeapparat utløpskanaler.

ADVARSEL! HOLD ALLE TYPER BRENNBARE MATERIALER MINST 1 M UNNA FRONTEN OG SIDENE PÅ DEN ELEKTRISKE PEISEN.

SERVICEKRAV



UNDER VEDLIKEHOLD AV DETTE APPARATET KAN DET VÆRE NØDVENDIG Å KUTTE BUNTEBÅND FOR Å KOMME TIL OG FJERNE NOEN DELER. DISSE MÅ ERSTATTES NÅR APPARATET SETTES SAMMEN IGJEN.

KUN KVALIFISER PERSONELL MÅ UTFØRE VEDLIKEHOLD PÅ DENNE PEISEN.

FØR DET GJØRES ARBEID PÅ APPARATET: SLÅ AV APPARATET OG TA UT STRØMFORSYNINGEN SLIK AT DET IKKE FINNES NOE STRØM TIL APPARATET.

Vent minst 10 minutter til peisen har kjølt seg ned.

Bytte av batteri på fjernkontroll

Bytt ut med et AAA-batteri. Forsikre deg om at batteriet er montert korrekt i fjernkontrollen.



MERK: Fjernkontrollen har en batteristatusindikator (øverst i høyre hjørne). Etter en lengre periode med tom visning, vil LED-skjermen slutte å fungere til tross for at håndsettet fremdeles kan sende kommandoer. Erstatt batteriet for å gjenopprette displayet.

Vedlikehold av motorer

Motoren til viften og flammeeffekten er forhåndssmurt for å forlenge lagrenes levetid og trenger derfor ikke smøres. Periodisk rengjøring/støvsuging av viften/peisen anbefales imidlertid.

Tilbakestilling av termisk sikringsautomat

Peisen er utstyrt med en elektronisk sikkerhetskontroll (E.S.). Dette er en sikkerhetsanordning som slår av flammen dersom peisen av en eller annen grunn blir overopphetet, f.eks. ved tildekking.

Dersom peisen slutter å fungere mens flammeeffekten fortsetter som normalt, betyr det at E.S.-kontrollen er i drift. E.S.-kontrollen kan bare tilbakestilles etter at peisen er nedkjølt.

Tilbakestill E.S.:

Slå av peisen (med den manuelle Av/På-bryteren) og la peisen stå i 120 minutter.

Fjern eventuelle hindringer i avløpet for viftevarmeren eller andre indre deler.

Slå på peisen, og E.S.-kontrollen vil tilbakestilles. Forsikre deg om at peisen fungerer korrekt. Dersom E.S.-kontrollen slår inn igjen, bør peisen sjekkes av en fagkyndig elektriker.

IMPORTANTE

EL EXTERIOR, FRONTAL Y PANEL DE CRISTAL DEL APARATO ESTÁ EXTREMADAMENTE CALIENTE DURANTE SU FUNCIONAMIENTO Y PUEDE PROVOCAR HERIDAS GRAVES Y QUEMADURAS SI SE ENTRA EN CONTACTO. SE RECOMIENDA POR LO TANTO QUE SE UTILICE UN PROTECTOR QUE CUMPLA CON LA NORMA BS 8423:2002 CUANDO HAYA NIÑOS, ANCIANOS O ENFERMOS PRESENTES.

Para uso con 230V 50 Hz únicamente.

Leer las presentes instrucciones antes de la instalación y guardarlas cuidadosamente en lugar seguro. Serán necesarias en el momento de hacer el mantenimiento.

Este aparato requiere toma a tierra.

Este producto está indicado únicamente en lugares abrigados o para una utilización puntual.

INFORMACIÓN IMPORTANTE Y SALUD Y SEGURIDAD

Antes de utilizar el aparato lea atentamente todas las instrucciones.

Proceda a reciclar todo el embalaje.

No coloque este aparato inmediatamente por debajo de una toma de corriente fija.

No utilizar el aparato en las inmediaciones de un cuarto de baño, ducha o piscina o en zonas en las que el aparato puede estar en contacto con agua o humedad.



¡ADVERTENCIA! NO LO CUBRA

No cubrir ni tapar el aparato, deje circular el aire en su entorno. Observe el símbolo de advertencia sobre el aparato (véalo arriba).

Este aparato está destinado para uso en el interior y no es adecuado para ser utilizado en el exterior.

Mantenga el enchufe alejado de superficies calientes. No conecte el cable de señal en frente del aparato.

Este aparato debe fijarse firmemente a un hueco en una pared interior plana. Compruebe que no hay muebles, cortinas, etc. a menos de 1 m del aparato.

Una vez instalado el aparato, el enchufe debe quedar accesible.

Si el cable ha de pasar por chimeneas, estar empotrado, etc. Debe asegurarse que éste esté debidamente protegido.

Si el cable eléctrico está dañado no utilice el aparato hasta su reemplazo. Por razones de seguridad el reemplazo ha de ser realizado por Gazco o el servicio técnico de Gazco o un electricista cualificado.

PRECAUCIÓN: Con el fin de evitar un riesgo debido a un reajuste inadvertido del interruptor térmico, este aparato no se debe suministrar a través de un dispositivo de conmutación externo, como un temporizador, o conectado a un circuito que el servicio público encienda y apague regularmente.

No utilizar el aparato en el supuesto de estar averiado o dañado.

Las posibles reparaciones deben ser efectuadas siempre por persona debidamente autorizada y cualificada. Si el aparato no funciona, o en caso de cualquier daño, por favor póngase en contacto con el distribuidor donde adquirió el producto.

Este aparato puede ser utilizado por niños mayores de 8 años y personas con capacidades físicas, sensoriales o mentales reducidas o que carezcan de experiencia y conocimientos, siempre que estén vigilados o que se les haya indicado cómo utilizar el aparato de forma segura y que entiendan los riesgos asociados. Los niños no deben jugar con el aparato. Los niños no deben realizar la limpieza y el mantenimiento del usuario sin supervisión.

Los niños menores de 3 años deben mantenerse alejados a menos que sean supervisados continuamente.

Los niños de 3 a 8 años solo deben encender/apagar el aparato siempre que esté colocado o instalado en la posición de funcionamiento normal y que estén vigilados o que se les haya indicado cómo utilizar el aparato de forma segura y que entiendan los riesgos asociados. Los niños de 3 a 8 años no deben enchufar, regular y limpiar el aparato ni realizar las tareas de mantenimiento.

Precaución: Algunas partes de este producto pueden calentarse mucho y causar quemaduras. Se debe prestar especial atención cuando hay niños y personas vulnerables.

Sin embargo, Gazco recomienda:

Este aparato no está destinado a ser utilizado por personas menores de 12 años, personas con discapacidad física, sensorial o mental o personas sin ninguna experiencia o conocimiento sobre cómo utilizar el aparato de forma segura. El aparato puede ser utilizado por personas mayores de 12 años siempre que hayan recibido instrucciones acerca de un uso seguro del aparato y que entiendan los peligros que puede conllevar. Las personas mayores de 12 años también pueden utilizar el aparato bajo la supervisión de un adulto responsable.

Este aparato contiene piezas que pueden calentarse durante el uso, por lo que bajo ninguna circunstancia debe permitirse que personas menores de 12 años se queden solas con el producto mientras esté en funcionamiento, a menos que se utilice una pantalla de protección adecuada para protegerles ante cualquier posibilidad de entrar en contacto directo con el aparato.

Los niños no deben jugar con el aparato.

Los niños no deben realizar la limpieza y el mantenimiento del usuario sin supervisión.

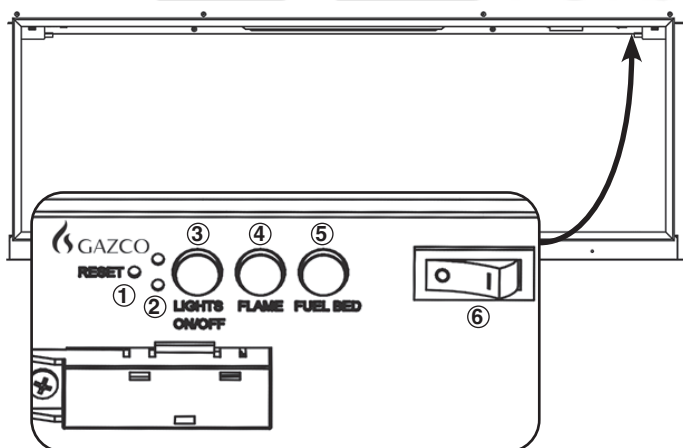
INSTRUCCIONES DE USO



¡ADVERTENCIA! No ponga el aparato en funcionamiento si se encontrara dañado o si funciona incorrectamente. Si sospechara que el aparato se encuentra dañado o funciona incorrectamente, antes de volver a utilizarlo llame a un técnico de servicio acreditado para que lo inspeccione y sustituya cualquier pieza del sistema eléctrico si fuera necesario.

NO desenchufe el aparato del suministro eléctrico mientras se encuentre funcionando. Utilice las funciones del mando a distancia para apagar el calefactor y asegúrese de que el interruptor de aislamiento se haya colocado en la posición de apagado antes de desenchufar.

PANEL DE CONTROL MANUAL



1. Reinicie el botón del mando a distancia
2. Indicadores del funcionamiento del calefactor
3. Botón de encendido/ apagado de todas las luces
4. Botón de ajuste de llama
5. Botón de configuración del lecho de combustibles
6. Modo de espera Botón On/Off

FUNCIONAMIENTO DEL APARATO

Pulse 6 para **encender/apagar el aparato**.



NOTA: Para usar tanto las funciones a distancia como las manuales, el interruptor manual de encendido/apagado debe estar en la posición de encendido «ON». Para evitar que el aparato se caliente demasiado, hay un retraso de 10 segundos cuando se enciende el calefactor y otro retraso de 10 segundos cuando se apaga el ventilador.

El botón manual controla las funciones básicas, no una amplia gama de controles. Use el mando a distancia para llevar a cabo todas las funciones.

Pulse 3 para **encender/apagar las llamas y el lecho de combustible** al mismo tiempo.

Pulse 4 para seleccionar el color de las llamas o volver a apagar. Hay tres colores de llama disponibles:

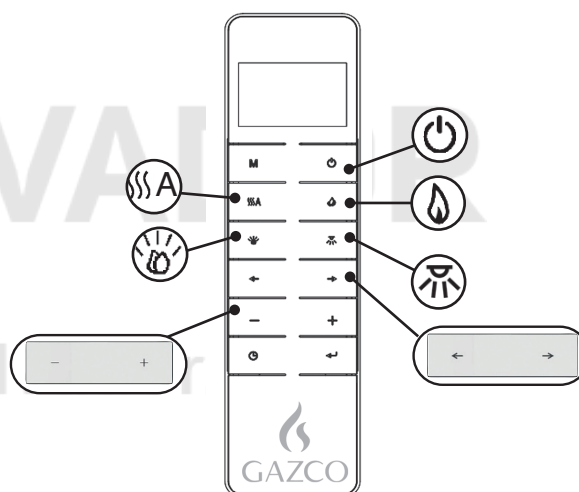
Pulse 5 para seleccionar el color del lecho de combustible o volver a apagar.

Hay catorce colores disponibles para el lecho de combustible.

Nota: El aparato perderá la memoria de las funciones de luz cuando el interruptor se coloque en la posición de apagado «Off» o el mando a distancia se quede sin pilas.

MANDOS A DISTANCIA

El mando a distancia debe dejarse en una superficie plana en la habitación donde está instalado el aparato y fuera del alcance de cualquier flujo directo de aire caliente.



- Potencia

- Calefacción

- Llama

- Lecho de combustible

- Cinta de iluminación ambiental

- Colores opcionales

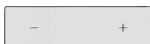
- Niveles

FUNCIONAMIENTO DEL APARATO - INICIO RÁPIDO

Encender/apagar el aparato
El aparato se iniciará con la última configuración utilizada.

Encender/apagar el calefactor.
 - Aumentar o reducir la producción de calor.

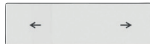
Encender/apagar el efecto de las llamas.
 - Cambiar de color.
Hay tres colores de llama disponibles:



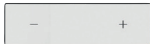
- Aumentar o reducir el brillo.



Encender/apagar el efecto del lecho de combustible.



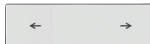
- Cambiar de color.
Hay catorce colores disponibles para el lecho de combustible:



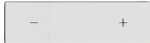
- Aumentar o reducir el brillo.



Encender/apagar la cinta de iluminación ambiental.

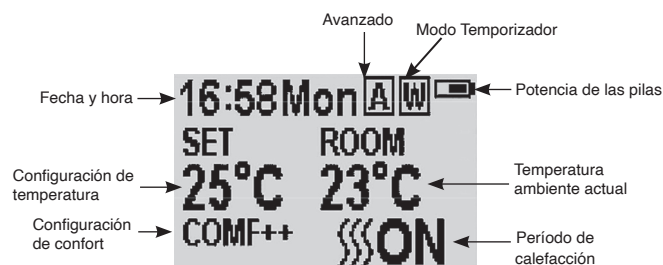
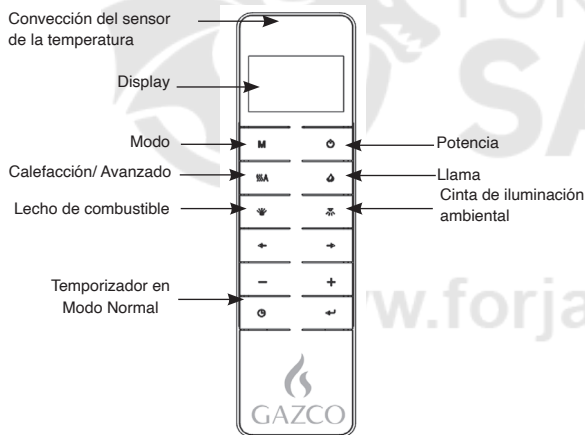


- Cambiar de color.
Hay catorce colores disponibles:



- Aumentar o reducir el brillo.

**FUNCIONAMIENTO DEL APARATO
- OPERACIÓN AVANZADA**



ENCENDER/APAGAR

Pulse el botón para encender el efecto llama.

Pulse el botón para apagar todas las funciones bajo el modo de control de calefacción normal, que incluye el efecto llama y el ventilador.

Pulse el botón para desactivar el efecto llama del modo temporizador diario y semanal de la calefacción.

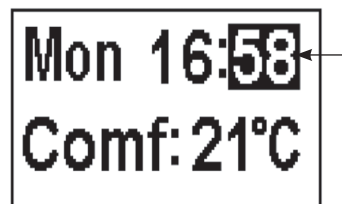
DÍAS DE LA SEMANA/HORA/TEMPERATURA DE CONFORT Y CONFIGURACIÓN DE UNIDAD

Confirme que la hora del reloj sea correcta.

Mantenga pulsado el botón **M** durante 3 segundos para ingresar a la pantalla de configuración.

Pulse el botón '←' o '→' para elegir la configuración a cambiar.

El carácter seleccionado se iluminará.



Pulse el botón '+' o '-' para ajustar el número.

Hora: sistema 24 horas.
Seleccione la temperatura de confort a partir de los 15-25°C.
Unidades de temperatura: °C/°F.

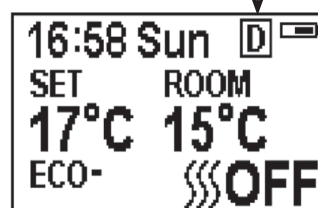
Pulse el botón durante 3 segundos o espere 10 segundos para guardar y salir de la configuración de la semana, la hora y la temperatura de la calefacción.

TEMPORIZADOR DIARIO DE LA CALEFACCIÓN

Los siguientes periodos de calefacción han sido preestablecidos, aunque pueden modificarse si se desea:

06:00 hasta 08:00
17:00 hasta 22:00

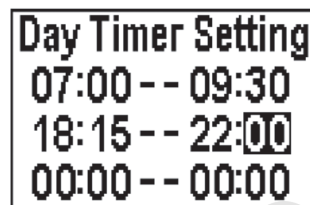
Mantenga pulsado **M** hasta que **D** aparezca en la esquina superior derecha de la pantalla para introducir el modo temporizador diario de la calefacción.





Mantenga pulsado el botón durante 6 segundos para introducir la configuración de la calefacción diaria. Se puede establecer un máximo de 3 periodos de calefacción programados por día.

Pulse el botón '←' o '→' para elegir la hora o el minuto.

Pulse el botón '+' o '-' para fijar el número.
Cada pulsación añade/resta 15 minutos.



Mantenga pulsado el botón  durante 3 segundos o espere 10 segundos para guardar y salir de la configuración del período de tiempo de calefacción.

Compruebe la configuración del temporizador. Pulse  para comprobar el modo temporizador diario.

Si tiene que apagar la calefacción, es necesario que vuelva al modo de control normal.

Cuando esté en modo temporizador diario, apague el aparato con el mando a distancia. Esto detendrá la potencia luminosa. La potencia térmica continuará según los ajustes del temporizador.

AJUSTE DE LA TEMPERATURA PROGRAMADA

Pulse el botón '+' o '-' para aumentar o disminuir la temperatura en función de la temperatura COMF.

COMF significa que la temperatura actual es la misma que la programada.

ECO significa que la temperatura actual es 2 °C menos que la temperatura programada.

ECO- significa 4 °C menos.


COMF+ significa 2 °C más.

COMF++ significa 4 °C más.

CONTROL ADAPTABLE DE INICIO

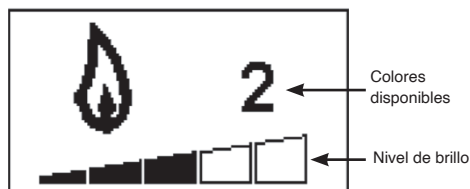
Según la temperatura ambiente y la temperatura establecida, el calefactor determinará automáticamente el momento apropiado para calentar para garantizar que se alcanza la temperatura establecida en el tiempo establecido (hasta 45 minutos antes del tiempo programado).



AJUSTE DEL COLOR DE LA LLAMA

Pulse el botón  para ingresar en la pantalla de ajuste de la llama.

Hay 3 colores disponibles de llama que se indican en el número mostrado en el diagrama.

Hay 6 niveles de brillo, incluido el apagado. Esto se indica en la barra. La barra en blanco indica que está desactivado.




Pulse el botón '' o '' para ir pasando entre los colores disponibles de llama.

Pulse el botón '+' para aumentar el brillo de la llama.

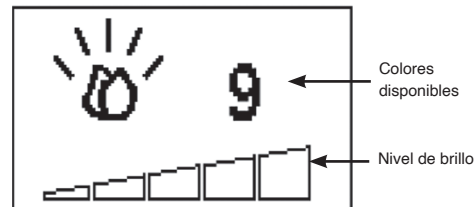
Pulse el botón '-' para disminuir el brillo de la llama hasta apagarla.



REGULACIÓN DEL COLOR DEL LECHO DE COMBUSTIBLE

Pulse  para ingresar a la pantalla de regulación de la luz del lecho de combustible.

Hay 14 colores opcionales para el lecho de combustible, que se indican con el número en pantalla.

Hay 6 niveles de brillo, incluido el apagado. Esto se indica en la barra. La barra en blanco indica que está desactivado.



Pulse el botón '' o '' para recorrer las opciones de color del lecho de combustible.

Pulse el botón "+" para aumentar el brillo del lecho de combustible.

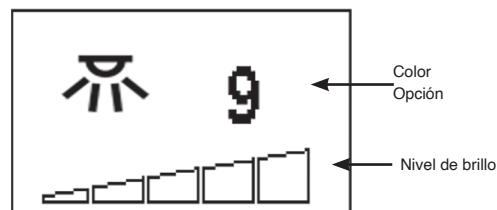
Pulse el botón "-" para reducir el brillo del lecho de combustible hasta apagarlo.



AJUSTE DEL COLOR DE LA CINTA DE ILUMINACIÓN AMBIENTAL

Pulse  para abrir la pantalla de ajuste de la iluminación.

Hay 14 opciones de color.

Hay 6 niveles de brillo, incluida la opción sin brillo (apagado).



Pulse el botón '' o '' para visualizar las distintas opciones de color.

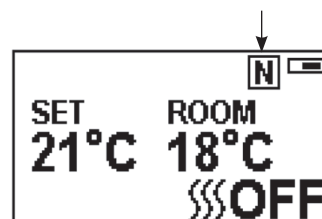
Pulse el botón + para aumentar el brillo.

Pulse el botón - para reducir el brillo de la base hasta desactivarlo por completo.

MODO DE CONTROL NORMAL

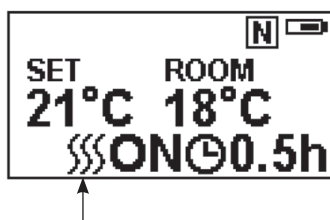
El modo de control normal es la configuración predeterminada.

Alternativamente, pulse el botón **M** hasta que aparezca el **N** logotipo en la esquina superior derecha de la pantalla.



Pulse el botón '+' o '-' para ajustar la temperatura programada desde 17°C a 25°C.

Pulse el botón **[[[[A** para encender o apagar la calefacción. Los botones de **[[[[** encendido o **[[[[** apagado se mostrarán en la esquina inferior derecha de la pantalla, consulte el diagrama.



Nota: Es normal que el ventilador deje de funcionar durante unos períodos de tiempo. Esto ocurre si la temperatura ambiente es más alta que la temperatura establecida en el control.

El indicador del calefactor se apagará después de 10 s si la llama se enciende. El indicador del calefactor permanecerá encendido si solo se usa la función de calefacción.

Cuando esté en modo de control normal, apague el aparato con el mando a distancia. Esto detecta tanto la potencia luminosa como la potencia térmica.

CONTADOR REGRESIVO

Esta configuración solo está en el modo de control de calefacción normal. Esto permite que el aparato vuelva al modo de espera tras un período de tiempo programado. Para usar esta función, el calefactor debe de estar encendido.

Pulse **⌚** para ir pasando entre la opción de ajuste de apagado «Off» y de 0,5 horas a 9 horas. El logotipo del temporizador y el tiempo restante aparecerán en la pantalla.

El calefactor del aparato se puede ejecutar automáticamente mediante el uso del temporizador diario y el semanal en el mando a distancia.

TEMPORIZADOR SEMANAL DE LA CALEFACCIÓN

Los siguientes periodos de calefacción han sido preestablecidos, aunque pueden modificarse si se desea:

De lunes a viernes
06:00 hasta 08:30
17:00 hasta 22:00

De sábado a domingo
06:30 hasta 09:30
11:00 hasta 13:00
17:00 hasta 22:00

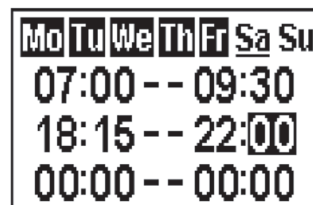
Mantenga pulsado **M** hasta que **W** aparezca en la esquina superior derecha de la pantalla para introducir el modo de calefacción semanal.



Mantenga pulsado el botón **←** durante 6 segundos para introducir la configuración del modo temporizador semanal de la calefacción.

Pulse '**←**' o '**→**' para mover el cursor (una línea intermitente).

Pulse el botón **←** en la posición correspondiente de la semana para seleccionar (el carácter está iluminado) o cancelar (el carácter se muestra normalmente) la configuración actual. El mismo periodo de tiempo se puede seleccionar al mismo tiempo.



Pulse el botón '**→**' para mover el cursor al área de configuración del período de tiempo.

Pulse el botón '**←**' o '**→**' para elegir la hora o el minuto.

Pulse el botón '**+**' o '**-**' para fijar el número.

Se puede establecer un máximo de 3 períodos de calefacción programados por día.

Cada pulsación añade/resta 15 minutos.

Pulse **←** para establecer el tiempo de calefacción para el día seleccionado y vuelva a la semana.

Pulse el botón **←** durante 3 segundos o espere 10 segundos para guardar y salir de la configuración de la semana, la hora y la temperatura de la calefacción.

Pulse **←** '**←**' o '**→**' para comprobar la configuración temporizador para el modo temporizador semanal de la calefacción.

Si tiene que apagar la calefacción, es necesario que vuelva al modo de control normal.

Cuando esté en modo temporizador diario, apague el aparato con el mando a distancia. Esto detendrá la potencia luminosa. La potencia térmica continuará según los ajustes del temporizador.

AJUSTE DE LA TEMPERATURA PROGRAMADA

Pulse el botón '**+**' o '**-**' para aumentar o disminuir la temperatura en función de la temperatura COMF.

COMF significa que la temperatura actual es la misma que la programada.

ECO significa que la temperatura actual es 2 °C menos que la temperatura programada.

ECO- significa 4 °C menos.

COMF+ significa 2 °C más.

COMF++ significa 4 °C más.

CONTROL ADAPTABLE DE INICIO

Según la temperatura ambiente y la temperatura establecida, el calefactor determinará automáticamente el momento apropiado para calentar para garantizar que se alcanza la temperatura establecida en el tiempo establecido (hasta 45 minutos antes del tiempo programado).

MODO AVANZADO

El estado de la calefacción puede avanzar hasta el siguiente período tanto en el modo temporizador diario como semanal de la calefacción.

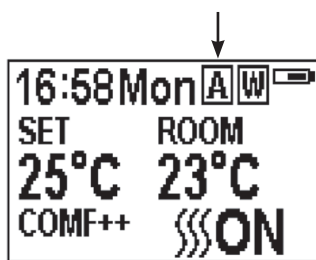


Si el calefactor está encendido en el período actual, al pulsar el botón se apagará el calefactor.

Si el calefactor está apagado en el período actual, al pulsar el botón se encenderá el calefactor.

Si la calefacción actual se enciende o se apaga también depende de la temperatura ambiente y de la temperatura programada.

Pulse **[[[A** para introducir el modo avanzado bajo el modo temporizador diario y semanal de la calefacción **A** que se mostrará en la esquina superior derecha de la pantalla.



Pulse **[[[A** de nuevo o el período del temporizador expirará y se saldrá del modo avanzado.

DETECCIÓN DE VENTANA ABIERTA

Cuando el transmisor detecte una rápida disminución de la temperatura ambiente, se considerará como una ventana abierta: se mostrará el icono de advertencia y la calefacción se apagará automáticamente.



Después de que la temperatura interior aumente o por intervención manual (al accionar el mando a distancia), volverá al estado de funcionamiento normal.

FUNCIONAMIENTO DEL APARATO - SOLUCIÓN DE PROBLEMAS

BATERÍA

El nivel de energía de las pilas se indica en la parte superior de la pantalla del mando a distancia, consulte el diagrama.

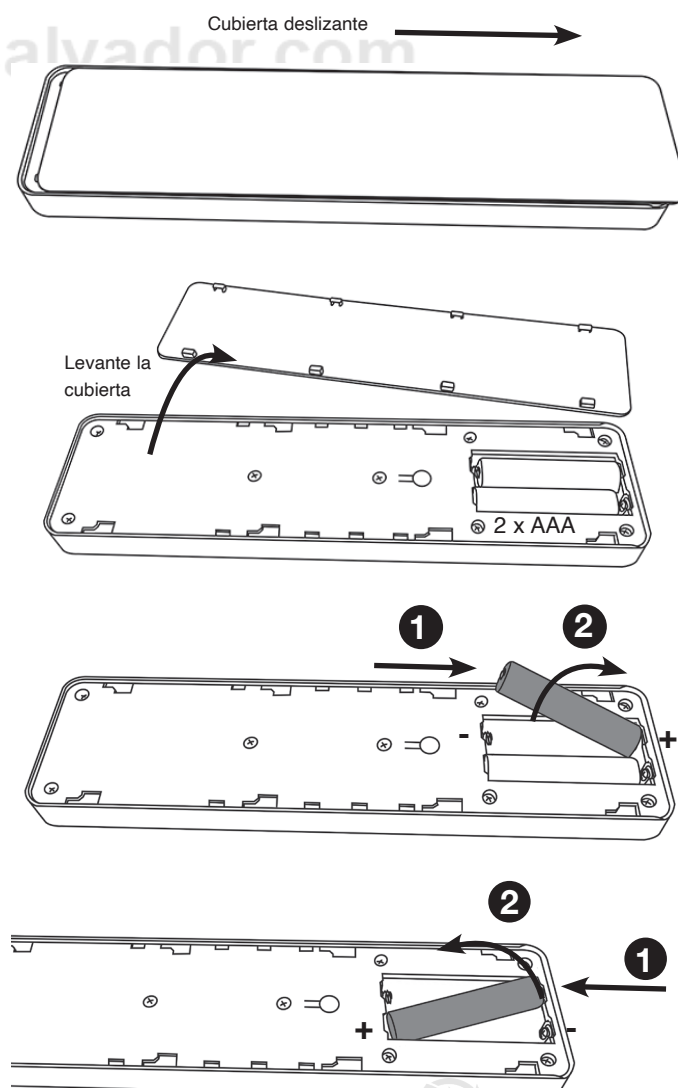
	Pilas cargadas	No es preciso tomar medidas
	Pilas a media potencia	Asegúrese que haya nuevas pilas disponibles
	Pilas descargadas	Cambie las pilas inmediatamente



NOTA: El control remoto tiene un indicador de estado de la batería (en la esquina superior derecha); tras un lapso prolongado de mostrar que está agotada, la pantalla LED dejará de funcionar: Sin embargo, el mando seguirá controlando la unidad. Cambie las pilas para que la pantalla vuelva a funcionar.

CAMBIO DE BATERÍA

Las pilas gastadas deben retirarse del aparato y desecharse de forma segura.



Compruebe que la batería del mando sea nueva y se encuentra correctamente insertada.

Deshágase de las baterías viejas en una instalación de reciclaje apropiada.

Se recomienda cambiar las pilas después de 1 año. El mando a distancia necesita dos pilas alcalinas tipo AAA de 1,5V.

Asegure la polaridad correcta.
No cortocircuite los terminales.

No intente recargar baterías no recargables.

Retire las pilas recargables antes de cargarlas.

No mezcle pilas nuevas y viejas.

Retire las baterías si el aparato no se utiliza durante períodos prolongados.

Cambiar las pilas no afectará la configuración del modo temporizador. Sin embargo, es posible que se necesite ajustar el reloj.

i **NOTA:** Para usar tanto las funciones a distancia como las manuales, el interruptor manual de encendido/apagado debe estar en la posición de encendido «ON». Para evitar que el aparato se caliente demasiado, hay un retraso de 10 segundos cuando se enciende el calefactor y otro retraso de 10 segundos cuando se apaga el ventilador.

El botón manual controla las funciones básicas, no una amplia gama de controles. Use el mando a distancia para llevar a cabo todas las funciones.

INDICADORES DEL FUNCIONAMIENTO DEL CALEFACTOR

Al usar el ventilador calefactor junto con el efecto de llama o el lecho de combustible, los indicadores de funcionamiento del calefactor se encienden durante 10 segundos.

Las luces LED se encenderán durante 10 segundos si el efecto de la llama o el lecho de combustible está activado.

Si el ventilador se utiliza independientemente, los indicadores del funcionamiento del calefactor permanecerán encendidos.

REINICIE EL BOTÓN DEL MANDO A DISTANCIA

Si el mando pierde señal o necesita ser reemplazado, consulte la sección en la sección de mantenimiento para más detalles.

CÓDIGO DE AVISO

El mando a distancia funciona por señal de radio.

El transmisor manual está configurado de fábrica con un código de aviso único.

IMPORTANTE: Si el mando pierde señal o necesita ser reemplazado, consulte la sección en la sección de mantenimiento para más detalles.

MAINTENANCE

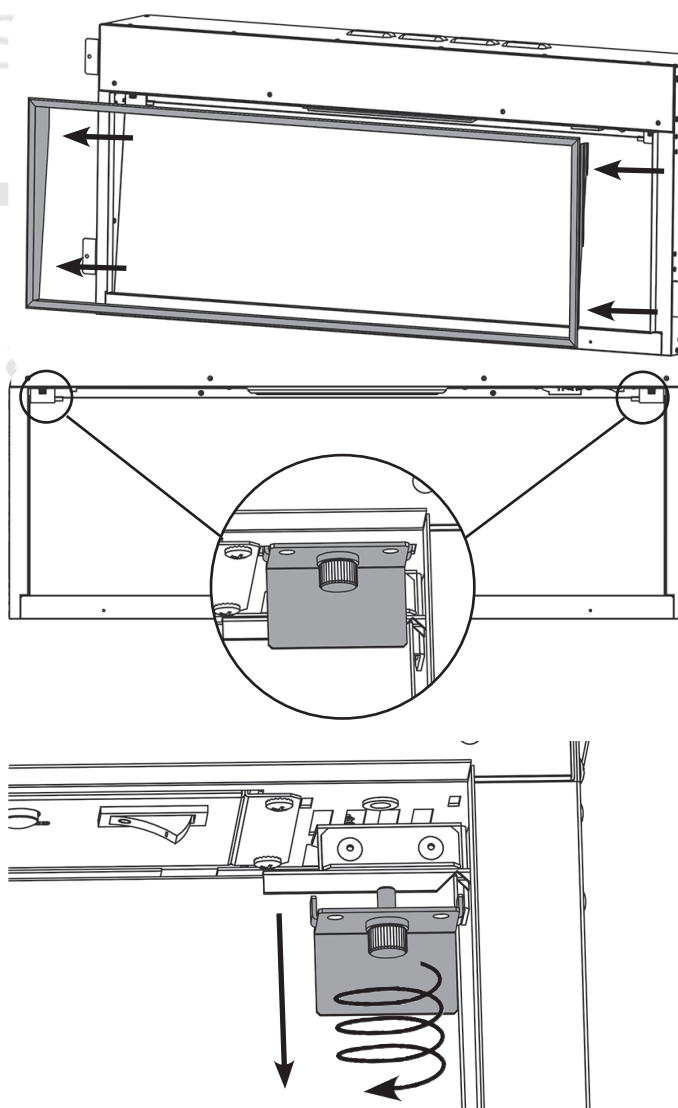
ANTES DE INICIAR CUALQUIER TRABAJO DE MANTENIMIENTO PROCÉDASE A DESENCHUFAR EL APARATO.

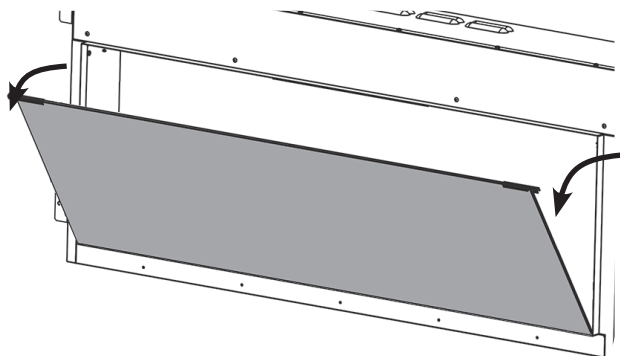
FRENTES DE LIMPIEZA

Limpie la parte delantera con un paño húmedo y con un limpiador que no deje pelusa.

Precaución: No utilice limpiadores abrasivos en el panel de cristal. No rocíe líquidos directamente sobre ninguna superficie de la unidad.

LIMPIEZA DEL EFECTO DE COMBUSTIBLE





Quite y lave el efecto de combustible para eliminar las partículas de polvo. También puede limpiar con un limpiador que no suelte pelusa.

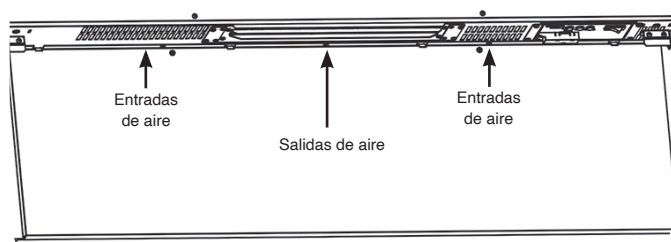
Antes de volver a colocarlo, compruebe que el efecto está seco.

Reemplace el efecto de combustible; consulte las Instrucciones de instalación para conocer el diseño.

Reponga el cristal siguiendo las instrucciones a la inversa.

LIMPIEZA DE LAS ENTRADAS DE AIRE

Limpie las entradas y salidas de aire periódicamente con un paño suave o la boquilla de una aspiradora.



La acumulación de polvo puede inhibir el rendimiento eficiente del ventilador y provocar un apagado de seguridad.

Mantenga el área cercana a la estufa limpia, libre de polvo o cabello.

En particular, se puede acumular polvo, etc. en el área de calentamiento en la parte superior del aparato. Es muy importante mantener la zona de la estufa libre de suciedad que pueda circular por el interior del electrodoméstico, lo que puede provocar averías.

INSTALACIÓN

GENERALIDADES

HERRAMIENTAS REQUERIDAS

Necesitará un destornillador, un nivel, una sierra y un taladro.

DESEMBALADO DE LA ESTUFA

¡AVISO! NO utilice este aparato si cualquiera de sus piezas ha estado sumergida bajo el agua.

Si fuera necesario, llame inmediatamente a un técnico de servicio cualificado para inspeccionar y sustituir cualquier pieza del sistema eléctrico.

Abra con cuidado el embalaje y saque el poliestireno.

Extraiga y deseche la bolsa de plástico.

Mantenga siempre las bolsas de plástico alejadas de los niños.

Sea responsable a la hora de manejar los materiales de embalaje.

Compruebe que haya sacado todas las piezas y accesorios antes de deshacerse de cualquier embalaje.

En caso necesario, conserve el embalaje original para un futuro almacenamiento o transporte de la unidad.

Pon a prueba el aparato antes de la instalación.

INSTALACIÓN DEL APARATO

EMPLAZAMIENTO DE LA ESTUDIO

Su nueva eStudio puede ser emplazada prácticamente en cualquier lugar de la casa. Sin embargo, al escoger su ubicación, asegúrese de seguir estas instrucciones generales:

La calefacción conviene instalarla en una pared interna de un piso de ladrillo y escayola. Las fijaciones que se incluyen SOLO pueden utilizarse en paredes de ladrillo. Asegúrese de usar las fijaciones adecuadas cuando se instale en paredes huecas o en un hueco empotrado.

NOTA: Este electrodoméstico no debe instalarse en paredes huecas o en paredes que den al exterior, a una chimenea abierta o a cualquier espacio abierto que pueda provocar humedades o corrientes de aire, salvo que se tomen las precauciones adecuadas para evitar que el aparato entre en contacto con las humedades o con corrientes excesivas. En esas instalaciones será necesario sellar completamente la chimenea o las ventilaciones de aire existentes.

Para un mejor resultado, instálela fuera de la luz solar directa.

El aparato se debe instalar en un alojamiento fabricado al efecto. Asegúrese de usar las fijaciones adecuadas cuando se instale en paredes huecas o en un hueco empotrado.

Asegúrese de que no hay tuberías o cables detrás de la zona a perforados o cortados.

Asegúrese siempre de que el aparato se apoya de manera adecuada y se sienta en una estructura firme cuando se monta sobre el nivel del suelo.

El aparato debe emplazarse próximo a un enchufe eléctrico apropiado para permitir su conexión.

Una extensión se puede ejecutar desde una toma de corriente existente, pero esto debe ser realizado por un ingeniero eléctrico cualificado.

Tal enchufe será de fácil acceso de manera que sea posible desconectar el aparato mientras se instala.

Si el cable de la tensión eléctrica se encontrara dañado, deberá ser reparado por el fabricante, su centro autorizado o un profesional.

Asegúrese de que las cortinas y los muebles no se colocan cerca de la posición elegida, ya que esto crearía un riesgo potencial de incendio o bloquear los conductos de salida del calentador.

¡AVISO! MANTENGA CUALQUIER MATERIAL COMBUSTIBLE A UNA DISTANCIA MÍNIMA DE UN METRO DEL FRONTAL Y LOS LATERALES DEL APARATO.

MANTENIMIENTO



DURANTE LA REPARACIÓN DE ESTE APARATO, PODRÍA TENER QUE CORTAR BRIDAS DE CABLES PARA PONER ACCEDER A ALGUNAS PIEZAS PARA SU DESMONTAJE. LAS BRIDAS SE DEBERÁN VOLVER A COLOCAR CUANDO SE INSTALE DE NUEVO EL APARATO.

ESTE APARATO SOLAMENTE DEBE REPARARLO UNA PERSONA DEBIDAMENTE ACREDITADA.

ANTES DE REALIZAR TAREAS CON EL APARATO: APAGUE EL APARATO Y RETIRE LA FUENTE DE ALIMENTACIÓN PARA ASEGURAR QUE EL APARATO NO CUENTA CON ALIMENTACIÓN ELÉCTRICA.

Espera al menos 10 minutos hasta que se haya enfriado el aparato.

Sustitución de la pila del mando a distancia

Sustituir por 2 pilas AAA. Asegúrese de que la pila se encuentra correctamente instalada en el mando a distancia.



NOTA: El control remoto tiene un indicador de estado de la batería (en la esquina superior derecha); tras un lapso prolongado de mostrar que está agotada, la pantalla LED dejará de funcionar: Sin embargo, el mando seguirá controlando la unidad. Cambie las pilas para que la pantalla vuelva a funcionar.

Mantenimiento de los motores

Los motores empleados en el ventilador y en el efecto de llama vienen ya engrasados para prolongar su vida útil y no requieren volver a ser engrasados. Sin embargo, sí se recomienda la limpieza o aspirado periódicos de la unidad del ventilador/ calefactor.

Reinicio del interruptor térmico de protección

El aparato dispone de un control electrónico de seguridad. Se trata de un dispositivo de seguridad que desconecta la estufa en caso de que el aparato se sobrecaliente por cualquier razón, como por ejemplo al cubrirse.

Si el calefactor deja de funcionar mientras continua con normalidad el efecto de llama, es un indicador de que el control de seguridad se ha activado.

Este control solamente puede reiniciarse una vez que el aparato se ha enfriado.

Para reiniciar el control de seguridad:

Desconecte el aparato (interruptor encendido/apagado manual) y espere unos 120 minutos.

Elimine cualquier obstrucción en la salida del ventilocalefactor u otras piezas internas.

Encienda el aparato y el control de seguridad se reiniciará.

Compruebe que el aparato funciona con normalidad. Si el control de seguridad se activa de nuevo, el aparato deberá ser revisado por un electricista cualificado.

ΣΗΜΑΝΤΙΚΟ

ΜΕΡΗ ΤΟΥ ΕΞΩΤΕΡΙΚΟΥ ΠΕΡΙΒΛΗΜΑΤΟΣ ΤΗΣ ΠΑΡΟΥΣΑΣ ΣΥΣΚΕΥΗΣ ΘΕΩΡΟΥΝΤΑΙ ΑΠΟ ΤΟΝ ΚΑΤΑΣΚΕΥΑΣΤΗ ΩΣ ΕΠΙΦΑΝΕΙΑ ΕΡΓΑΣΙΑΣ Η ΟΠΟΙΑ ΘΕΡΜΑΙΝΕΤΑΙ ΟΤΑΝ ΤΟ ΣΩΜΑ ΕΙΝΑΙ ΣΕ ΛΕΙΤΟΥΡΓΙΑ. ΩΣ ΕΚ ΤΟΥΤΟΥ, ΣΥΝΙΣΤΑΤΑΙ ΝΑ ΧΡΗΣΙΜΟΠΟΙΕΙΤΑΙ ΠΡΟΣΤΑΤΕΥΤΙΚΗ ΣΗΤΑ Η ΟΠΟΙΑ ΘΑ ΣΥΜΜΟΡΦΩΝΕΤΑΙ ΜΕ ΤΟ ΠΡΟΤΥΠΟ BS 8423 (ΤΕΛΕΥΤΑΙΑ ΕΚΔΟΣΗ) ΟΤΑΝ ΠΑΡΕΥΡΙΣΚΟΝΤΑΙ ΜΙΚΡΑ ΠΑΙΔΙΑ, ΗΛΙΚΙΩΜΕΝΟΙ Ή ΑΣΘΕΝΕΙΣ.

Η ΓΡΙΛΙΑ ΕΞΟΔΟΥ ΤΟΥ ΘΕΡΜΑΝΤΙΚΟΥ ΘΕΡΜΑΙΝΕΤΑΙ ΠΟΛΥ ΚΑΤΑ ΤΗ ΛΕΙΤΟΥΡΓΙΑ. ΜΗ ΣΚΕΠΑΖΕΤΕ ΤΗ ΓΡΙΛΙΑ ΕΞΟΔΟΥ Ή ΟΠΟΙΟΔΗΠΟΤΕ ΑΛΛΟ ΜΕΡΟΣ ΤΗΣ ΣΥΣΚΕΥΗΣ.

Για χρήση αποκλειστικά με ηλεκτρική παροχή 230V 50 Hz.

Διαβάστε προσεκτικά αυτές τις οδηγίες πριν από την εγκατάσταση και κρατήστε τις σε ασφαλές μέρος.

Θα τις χρειαστείτε όταν απαιτείται συντήρηση ή τεχνικός έλεγχος.

Η ΣΥΣΚΕΥΗ ΠΡΕΠΕΙ ΝΑ ΕΙΝΑΙ ΓΕΙΩΜΕΝΗ

ΤΟ ΠΑΡΟΝ ΠΡΟΪΟΝ ΕΙΝΑΙ ΚΑΤΑΛΛΗΛΟ ΜΟΝΟ ΓΙΑ ΧΩΡΟΥΣ ΜΕ ΚΑΛΗ ΜΟΝΩΣΗ ΚΑΙ ΓΙΑ ΠΕΡΙΣΤΑΣΙΑΚΗ ΧΡΗΣΗ.

ΣΗΜΑΝΤΙΚΕΣ ΠΛΗΡΟΦΟΡΙΕΣ ΚΑΙ ΥΓΕΙΑ ΚΑΙ ΑΣΦΑΛΕΙΑ

Διαβάστε προσεκτικά όλες τις οδηγίες προτού χρησιμοποιήσετε τη συσκευή.

Αφαιρέστε όλα τα υλικά συσκευασίας και φροντίστε να τα απορρίψετε σε κατάλληλη εγκατάσταση ανακύκλωσης.

Μην τοποθετείτε τη συσκευή ακριβώς κάτω από μια σταθερή πρίζα τοίχου.

Μέρη του εξωτερικού περιβλήματος της παρούσας συσκευής θεωρούνται από τον κατασκευαστή ως επιφάνεια εργασίας η οποία θερμαίνεται όταν το σώμα είναι σε λειτουργία. Πρέπει να χρησιμοποιήσετε κατάλληλη προστατευτική σήτα για την προστασία παιδιών, ηλικιωμένων και ασθενών..

Μη χρησιμοποιείτε αυτή τη συσκευή σε μικρή απόσταση από μπανιέρα, ντους, πισίνα ή σε χώρο όπου η συσκευή θα μπορούσε να έρθει σε επαφή με νερό ή με υγρασία, π.χ. το μπάνιο του σπιτιού.



ΠΡΟΕΙΔΟΠΟΙΗΣΗ! ΜΗΝ ΤΗ ΣΚΕΠΑΖΕΤΕ

Μην αφήνετε να καλύπτεται η συσκευή ή να παρεμποδίζεται η είσοδος/έξοδος αέρα καθώς έτσι μπορεί να προκληθεί υπερθέρμανση. Παρατηρήστε το προειδοποιητικό σύμβολο στη συσκευή (δείτε παραπάνω).

Μόνο για χρήση σε εσωτερικό χώρο. Αυτή η συσκευή δεν είναι κατάλληλη για χρήση έξω από το σπίτι. Αυτή η συσκευή πρέπει να εγκατασταθεί σε ένα ειδικά κατασκευασμένο περίβλημα. Βεβαιωθείτε ότι η συσκευή είναι επίπεδη και ότι τα έπιπλα, οι κουρτίνες κ.λπ. είναι τοποθετημένα κοντά σε 1m.

Όταν το καλώδιο ρεύματος πρέπει να περάσει από έναν χώρο τζακιού, πέτρινο περίβλημα κ.λπ., βεβαιωθείτε ότι έχουν τοποθετηθεί κατάλληλοι δακτύλιοι από καουτσούκ σε σημεία πιθανής φθοράς.

Εάν η συσκευή εγκατασταθεί μέσα σε ανοιχτό τζάκι, απομονώστε την καμινάδα για να μειώσετε τον κίνδυνο ρεύματος επιστροφής το οποίο μπορεί να ενεργοποιήσει την ασφάλεια θερμικής αποκοπής.

Κρατήστε το καλώδιο ρεύματος μακριά από ζεστές επιφάνειες και συνθήκες υψηλής θερμοκρασίας. Μην αφήνετε το καλώδιο ρεύματος να περνά μπροστά από τη συσκευή.

Όταν έχει γίνει η εγκατάσταση του θερμαντικού, η πρίζα πρέπει να είναι προσβάσιμη.

Σε περίπτωση βλάβης του καλωδίου ρεύματος, δεν επιτρέπεται να χρησιμοποιείτε τη συσκευή μέχρι την αντικατάσταση του καλωδίου. Για λόγους ασφάλειας, η αντικατάσταση πρέπει να πραγματοποιείται από εξουσιοδοτημένο τεχνικό της Gazco ή από άλλον επαγγελματία ηλεκτρολόγο.

ΠΡΟΣΟΧΗ: Προς αποφυγή κινδύνων λόγω ακούσιας επαναρρύθμισης της ασφάλειας θερμικής αποκοπής, η εν λόγω συσκευή δεν πρέπει να τροφοδοτείται μέσω εξωτερικής διάταξης διακοπής, όπως π.χ. χρονοδιακόπτη, ούτε να συνδέεται σε κύκλωμα που ενεργοποιείται και απενεργοποιείται τακτικά από την εταιρεία ηλεκτροδότησης.

Μη χρησιμοποιείτε τη συσκευή εάν έχει υποστεί βλάβη.

Οι επισκευές ηλεκτρικών συσκευών πρέπει να πραγματοποιούνται μόνο από ηλεκτρολόγο. Σε περίπτωση που η συσκευή δεν λειτουργεί ή έχει υποστεί βλάβη, θα πρέπει να επικοινωνήσετε με το κατάστημα από το οποίο αγοράστηκε η συσκευή.

Η συσκευή επιτρέπεται να χρησιμοποιείται από παιδιά ηλικίας από 8 ετών και πάνω και από άτομα με μειωμένες σωματικές, αισθητηριακές ή διανοητικές ικανότητες ή στερούμενα σχετικής εμπειρίας και γνώσης εφόσον αυτά βρίσκονται υπό επίβλεψη ή έχουν λάβει οδηγίες σχετικά με την ασφαλή χρήση της συσκευής και κατανοούν τους κινδύνους που συνεπάγεται η χρήση. Τα παιδιά δεν επιτρέπεται να παίζουν με τη συσκευή. Παιδιά δεν επιτρέπεται να πραγματοποιούν καθαρισμό ή συντήρηση επιπέδου χρήστη χωρίς επίβλεψη.

Τα παιδιά ηλικίας κάτω των 3 ετών δεν επιτρέπεται να πλησιάζουν τη συσκευή εκτός αν είναι υπό συνεχή επίβλεψη.

Τα παιδιά ηλικίας μεταξύ 3 και 8 ετών επιτρέπεται να ανάβουν ή να σβήνουν τη συσκευή μόνον εφόσον αυτή έχει τοποθετηθεί ή εγκατασταθεί στην προβλεπόμενη θέση κανονικής λειτουργίας και εφόσον αυτά είναι υπό επίβλεψη ή έχουν λάβει οδηγίες σχετικά με την ασφαλή χρήση της συσκευής και κατανοούν τους σχετικούς κινδύνους. Τα παιδιά ηλικίας μεταξύ 3 και 8 ετών δεν επιτρέπεται να βάζουν τη συσκευή στο ρεύμα, να τη ρυθμίζουν, να την καθαρίζουν ή να εκτελούν συντήρηση.

Προσοχή: Μερικά μέρη αυτού του προϊόντος μπορεί να υπερθερμανθούν και να προκαλέσουν εγκαύματα. Ιδιαίτερη προσοχή απαιτείται σε χώρους όπου βρίσκονται παιδιά και ευάλωτα άτομα.

Ωστόσο, η Gazco προτείνει:

Η συσκευή αυτή δεν προορίζεται για χρήση από άτομα κάτω των 12 ετών, άτομα με μειωμένες σωματικές, αισθητηριακές ή διανοητικές ικανότητες ή άτομα στερούμενα εμπειρίας και γνώσης στην ασφαλή λειτουργία της συσκευής.

Η συσκευή επιτρέπεται να χρησιμοποιείται από άτομα άνω των 12 ετών, υπό την προϋπόθεση ότι έχουν λάβει οδηγίες σχετικά με την ασφαλή χρήση της συσκευής και ότι κατανοούν τους σχετικούς κινδύνους. Άτομα άνω των 12 ετών επιτρέπεται επίσης να χειρίζονται τη συσκευή υπό την επίβλεψη υπεύθυνου ενήλικου.

Μέρη αυτής της συσκευής θερμαίνονται κατά τη διάρκεια της λειτουργίας της και γι' αυτό άτομα κάτω των 12 ετών δεν θα πρέπει σε καμία περίπτωση να μένουν μόνο τους με το προϊόν όταν αυτό βρίσκεται σε λειτουργία, εκτός εάν χρησιμοποιείται κατάλληλη προστατευτική σήτα για την αποτροπή άμεσης επαφής με τη συσκευή.

Τα παιδιά δεν επιτρέπεται να παίζουν με τη συσκευή.

Παιδιά δεν επιτρέπεται να πραγματοποιούν καθαρισμό ή συντήρηση επιπέδου χρήστη χωρίς επίβλεψη.



www.forjas-salvador.com

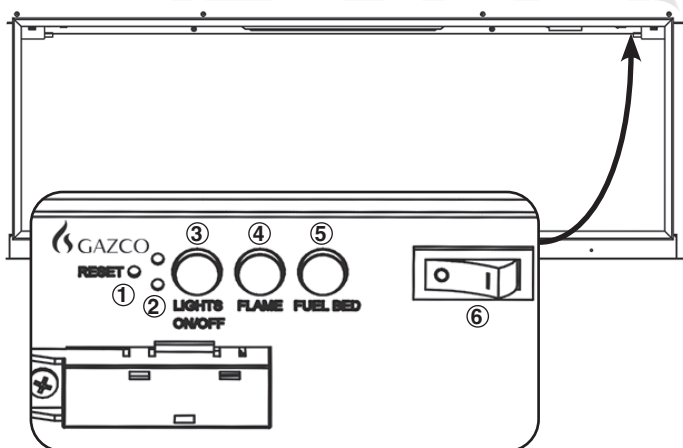
ΟΔΗΓΙΕΣ ΛΕΙΤΟΥΡΓΙΑΣ



ΠΡΟΕΙΔΟΠΟΙΗΣΗ! Μην χρησιμοποιείτε τη συσκευή εάν έχει υποστεί βλάβη ή έχει πρόβλημα λειτουργίας. Εάν υποψιάζεστε ότι η συσκευή έχει υποστεί βλάβη ή έχει πρόβλημα λειτουργίας, καλέστε έναν εξειδικευμένο τεχνικό για να επιθεωρήσει τη συσκευή και, αν χρειάζεται, να αντικαταστήσει οποιοδήποτε εξάρτημα του ηλεκτρικού συστήματος πριν την ξαναχρησιμοποιήσετε.

Μη βγάξετε τη συσκευή από την πρίζα ενώ η συσκευή λειτουργεί. Να χρησιμοποιείτε τις λειτουργίες στο τηλεχειριστήριο για να σβήσετε το ηλεκτρικό τζάκι και να βεβαιώνετε ότι ο κεντρικός διακόπτης έχει μετακινηθεί στη θέση απενεργοποίησης πριν βγάλετε τη συσκευή από την πρίζα.

ΧΕΙΡΟΚΙΝΗΤΟΣ ΠΙΝΑΚΑΣ ΕΛΕΓΧΟΥ



1. Κουμπί επανεκκίνησης τηλεχειριστηρίου
2. Ενδείξεις λειτουργίας θερμαντικού σώματος
3. Αναβοσβήσιμο φώτων
4. Κουμπί ρύθμισης φλόγας
5. Κουμπί ρύθμισης κλίνης καυσίμου
6. Κεντρικός διακόπτης ON/OFF (O/I)

ΧΕΙΡΙΣΜΟΣ ΤΗΣ ΣΥΣΚΕΥΗΣ

Πατήστε το 6 για να ανάψετε ή να σβήσετε τη συσκευή.



ΣΗΜΕΙΩΣΗ: Για τη χρήση τόσο των λειτουργιών στο τηλεχειριστήριο όσο και των λειτουργιών στον πίνακα ελέγχου, ο χειροκίνητος διακόπτης πρέπει να βρίσκεται στη θέση «ON».
Για να αποφευχθεί η υπερθέρμανση του προϊόντος, υπάρχει μια υστέρηση 10 δευτερολέπτων όταν ενεργοποιείται ή απενεργοποιείται ο ανεμιστήρας του αερόθερμου.

Ο πίνακας ελέγχου ελέγχει τις βασικές λειτουργίες. Χρησιμοποιήστε το τηλεχειριστήριο για έλεγχο όλων των λειτουργιών.

Πατήστε το 3 για να ανάψετε ή να σβήσετε τις φλόγες και την κλίνη καυσίμου ταυτόχρονα.

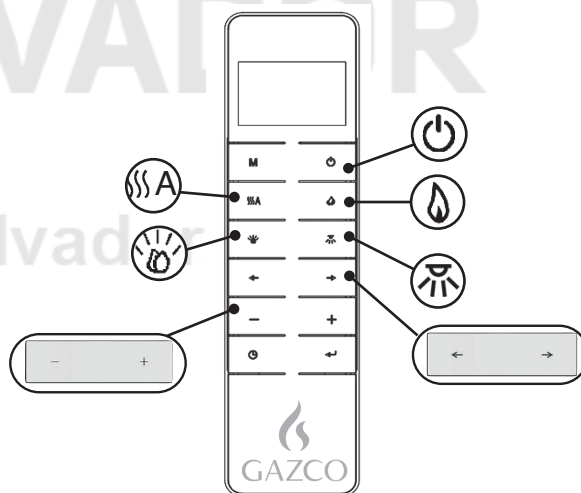
Πατήστε το 4 για να επιλέξετε το χρώμα της φλόγας ή για να επιστρέψετε στη θέση OFF.
Υπάρχουν τρεις επιλογές χρώματος φλόγας.

Πατήστε το 5 για να επιλέξετε το χρώμα της κλίνης καυσίμου ή για να επιστρέψετε στη θέση OFF.
Υπάρχουν δεκατέσσερις επιλογές χρώματος της κλίνης καυσίμου.

Σημείωση: Η συσκευή θα χάσει τη μνήμη για τις λειτουργίες φωτισμού όταν ο διακόπτης ρυθμίζεται στη θέση OFF ή το τηλεχειριστήριο δεν έχει μπαταρία.

ΤΗΛΕΧΕΙΡΙΣΤΗΡΙΟ

Να ακουμπάτε το τηλεχειριστήριο σε επίπεδη επιφάνεια στο δωμάτιο όπου είναι εγκατεστημένη η συσκευή και μακριά από οποιαδήποτε άμεση ροή θερμού αέρα.



- Διακόπτης On/Off

- Θέρμανση / Advance

- Φλόγες

- Κλίνη καυσίμου

- Ατμοσφαιρικός φωτισμός

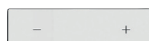
- Επιλογή χρώματος

- Επίπεδα


ΧΕΙΡΙΣΜΟΣ ΤΗΣ ΣΥΣΚΕΥΗΣ — ΓΡΗΓΟΡΟ ΞΕΚΙΝΗΜΑ

🔌 Ανάψτε ή σβήστε τη συσκευή
Η συσκευή θα ξεκινήσει με τη ρύθμιση που ισχύει προτού σβήσει.

🔌 A Αναβοσβήσιμο της θέρμανσης.

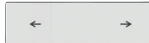
 - Αυξομειώνει τη θερμική ισχύ.

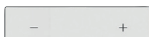
🔥 Αναβοσβήσιμο του εφέ φλόγας.

 - Αλλάζει την επιλογή χρώματος.
Υπάρχουν τρεις επιλογές χρώματος φλόγας.

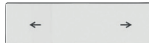
 - Αυξομείωση του επιπέδου φωτεινότητας.

🔆 Αναβοσβήσιμο του εφέ κλίνης καυσίμου.


 - Αλλάζει την επιλογή χρώματος.
Υπάρχουν δεκατέσσερις επιλογές χρώματος κλίνης καυσίμου.

 - Αυξομείωση του επιπέδου φωτεινότητας.

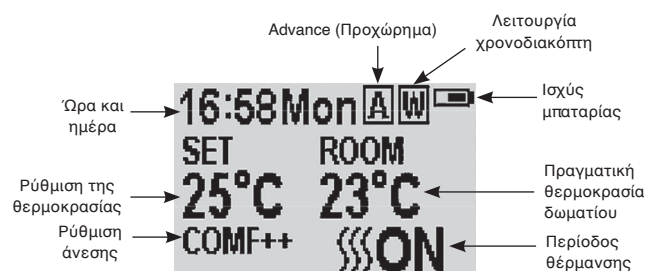
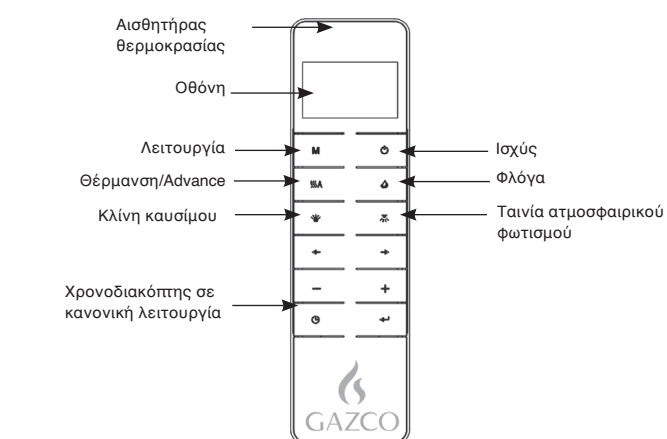
☀️ Ενεργοποίηση/Απενεργοποίηση του ατμοσφαιρικού φωτισμού.

 - Αλλαγή της επιλογής χρώματος.
Υπάρχουν δεκατέσσερις επιλογές


χρώματος:

 - Αυξομείωση του επιπέδου φωτεινότητας.


ΧΕΙΡΙΣΜΟΣ ΤΗΣ ΣΥΣΚΕΥΗΣ — ΠΡΟΧΩΡΗΜΕΝΕΣ ΛΕΙΤΟΥΡΓΙΕΣ



Ενεργοποίηση/απενεργοποίηση (ON/OFF)

Πατήστε το κουμπί  για να ενεργοποιήσετε το εφέ φλόγας.

Πατήστε το κουμπί  για να απενεργοποιήσετε όλες τις λειτουργίες υπό την κανονική λειτουργία ρύθμισης θέρμανσης.

Πατήστε το κουμπί  για να απενεργοποιήσετε το εφέ φλόγας υπό τη λειτουργία ημερήσιας και εβδομαδιαίας χρονορύθμισης θέρμανσης.

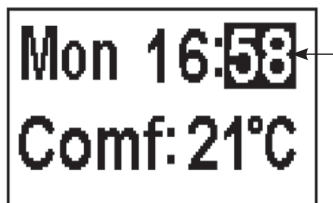
ΡΥΘΜΙΣΗ ΗΜΕΡΑΣ, ΩΡΑΣ, ΘΕΡΜΟΚΡΑΣΙΑΣ ΑΝΕΣΗΣ ΚΑΙ ΜΟΝΑΔΑΣ ΘΕΡΜΟΚΡΑΣΙΑΣ

Βεβαιωθείτε ότι το ρολόι είναι ρυθμισμένο να δείχνει τη σωστή ώρα.

Πατήστε **M** για 3 δευτερόλεπτα.

Πατήστε '←' ή '→' για να επιλέξετε τη ρύθμιση που θα αλλάξετε.

Ο επιλεγμένος χαρακτήρας θα είναι τονισμένος.

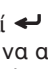


Πατήστε το κουμπί '+' ή '-' για να αλλάξετε τον αριθμό.

Ώρα: σύστημα 24 ωρών.

Επιλέξτε τη θερμοκρασία άνεσης από 15-25 °C.

Μονάδα θερμοκρασίας: °C/°F.

Πατήστε το κουμπί  για 3 δευτερόλεπτα ή περιμένετε 10 δευτερόλεπτα για να αποθηκευτούν οι ρυθμίσεις για ημέρα, ώρα, θερμοκρασία άνεσης και μονάδα θερμοκρασίας και να βγείτε από τη ρύθμιση.

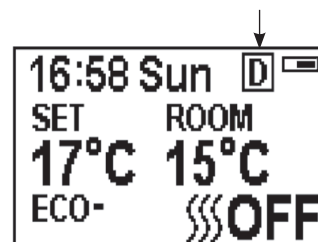
ΗΜΕΡΗΣΙΑ ΧΡΟΝΟΡΥΘΜΙΣΗ ΘΕΡΜΑΝΣΗΣ


Οι ακόλουθες περίοδοι θέρμανσης έχουν προκαθοριστεί, αλλά, αν θέλετε, μπορείτε να τις αλλάξετε:

06:00 έως 08:00

17:00 έως 22:00

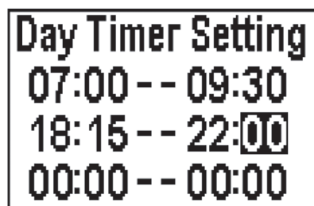
Πατήστε **M** μέχρι να εμφανιστεί **D** στην επάνω δεξιά γωνία της οθόνης.



Κρατήστε το κουμπί  πατημένο για 6 δευτερόλεπτα. Μπορούν να καθοριστούν 3 διαφορετικά χρονικά διαστήματα θέρμανσης ανά ημέρα.

Πατήστε '←' ή '→' για να επιλέξετε ώρα ή λεπτό.

Πατήστε το κουμπί '+' ή '-' για να αλλάξετε τον αριθμό.
Η ρύθμιση των λεπτών αυξομειώνεται κατά 15 λεπτά με κάθε πάτημα.



Κρατήστε το κουμπί ← πατημένο για 3 δευτερόλεπτα ή περιμένετε για 10 δευτερόλεπτα για να αποθηκευτούν οι ρυθμίσεις και να βγείτε από τη ρύθμιση των περιόδων θέρμανσης.

Πατήστε ← για να ελέγξετε την ημερήσια χρονορρύθμιση.

Για να σβήσετε τη θέρμανση, επιστρέψτε στην Κανονική Λειτουργία Ελέγχου.

Όταν βρίσκεστε σε λειτουργία Ημερήσιας Χρονορρύθμισης Θέρμανσης, το σβήσιμο της συσκευής με το τηλεχειριστήριο θα διακόψει τον φωτισμό. Η θέρμανση θα συνεχιστεί σύμφωνα με τη χρονορρύθμιση.

ΡΥΘΜΙΣΗ ΤΗΣ ΘΕΡΜΟΚΡΑΣΙΑΣ

Πατήστε το κουμπί '+' ή '-' για να αυξομειώσετε τη θερμοκρασία με βάση τη θερμοκρασία άνεσης (COMF).

COMF σημαίνει ότι η πραγματική θερμοκρασία είναι ίδια με τη ρύθμιση που έχετε κάνει.

ECO σημαίνει ότι η πραγματική θερμοκρασία είναι 2 °C χαμηλότερη από τη ρύθμιση.

ECO- σημαίνει 4 °C χαμηλότερη.

COMF+ σημαίνει 2 °C υψηλότερη.

COMF++ σημαίνει 4 °C υψηλότερη.

ΠΡΟΣΑΡΜΟΖΟΜΕΝΗ ΕΚΚΙΝΗΣΗ

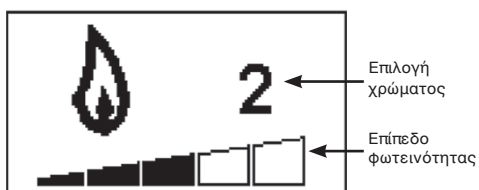
Η συσκευή θέρμανσης θα καθορίσει αυτόματα τον κατάλληλο χρόνο για να αρχίσει η θέρμανση έτσι ώστε να φτάσει στην προκαθορισμένη θερμοκρασία κατά την προκαθορισμένη ώρα (έως και 45 λεπτά πριν από την προκαθορισμένη ώρα).

ΡΥΘΜΙΣΗ ΧΡΩΜΑΤΟΣ ΦΛΟΓΑΣ

Πατήστε το κουμπί .

Υπάρχουν τρεις επιλογές χρώματος φλόγας.

Υπάρχουν 6 επίπεδα φωτεινότητας, συμπεριλαμβανομένου του σβήσιματος.




Πατήστε το '←' ή '→' για να διατρέξετε τις επιλογές χρώματος φλόγας.

Πατήστε το '+' για να αυξήσετε τη φωτεινότητα της φλόγας.

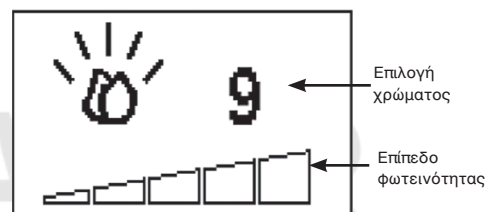
Πατήστε το '-' για να μειώσετε τη φωτεινότητα φλόγας μέχρι και να σβήσει.

ΡΥΘΜΙΣΗ ΧΡΩΜΑΤΟΣ ΚΛΙΝΗΣ ΚΑΥΣΙΜΟΥ

Πατήστε  για να περάσετε στην οθόνη ρύθμισης του φωτισμού της κλίνης καυσίμου.

Υπάρχουν 14 επιλογές χρώματος της κλίνης καυσίμου.

Υπάρχουν 6 επίπεδα φωτεινότητας, συμπεριλαμβανομένου του σβήσιματος.




Πατήστε το '←' ή '→' για να διατρέξετε τις επιλογές χρώματος της κλίνης καυσίμου.

Πατήστε το '+' για να αυξήσετε τη φωτεινότητα της κλίνης καυσίμου.

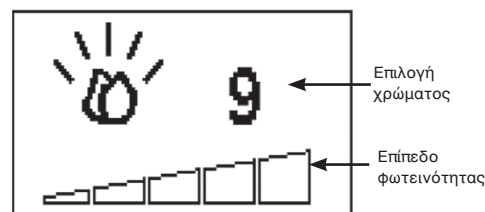
Πατήστε το '-' για να μειώσετε τη φωτεινότητα της κλίνης καυσίμου μέχρι και να σβήσει.

ΡΥΘΜΙΣΗ ΧΡΩΜΑΤΟΣ ΑΤΜΟΣΦΑΙΡΙΚΟΣ ΦΩΤΙΣΜΟΣ

Πατήστε  για να περάσετε στην οθόνη ρύθμισης του φωτισμού.

Υπάρχουν 14 επιλογές χρώματος.

Υπάρχουν 6 επίπεδα φωτεινότητας, συμπεριλαμβανομένου του σβήσιματος.



Πατήστε το '←' ή '→' για να διατρέξετε τις επιλογές χρώματος.

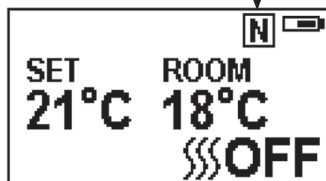
Πατήστε το '+' για να αυξήσετε τη φωτεινότητα.

Πατήστε το '-' για να μειώσετε τη φωτεινότητα μέχρι και να σβήσει.

ΚΑΝΟΝΙΚΗ ΛΕΙΤΟΥΡΓΙΑ ΕΛΕΓΧΟΥ

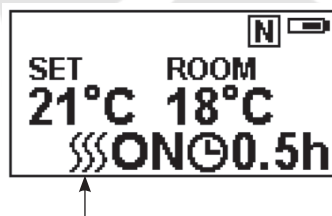
Η Κανονική Λειτουργία Ελέγχου είναι η προκαθορισμένη ρύθμιση.

Πατήστε το κουμπί **M** μέχρι να εμφανιστεί το σύμβολο **N**



Πατήστε '+' ή '-' για να ρυθμίσετε τη θερμοκρασία από 17 °C έως 25 °C.

Πατήστε το κουμπί **||| A** για να ανάψετε ή να σβήσετε τη θέρμανση.



Σημείωση: Είναι φυσιολογικό για το αερόθερμο να σταματάει τη λειτουργία του κατά διαστήματα. Αυτό συμβαίνει αν η θερμοκρασία του δωματίου είναι υψηλότερη από τη θερμοκρασία που έχει οριστεί.

Η ένδειξη θέρμανσης θα σβήσει μετά από 10 δευτερόλεπτα αν ανάψετε τη φλόγα. Η ένδειξη θέρμανσης θα μείνει αναμμένη εάν χρησιμοποιείται μόνο η λειτουργία θέρμανσης.

Όταν βρίσκεστε σε Κανονική Λειτουργία Ελέγχου, το σβήσιμο της συσκευής με το τηλεχειριστήριο θα διακόψει τον φωτισμό και τη θέρμανση.

ΑΝΤΙΣΤΡΟΦΗ ΧΡΟΝΟΜΕΤΡΗΣΗ

Αυτή η ρύθμιση ισχύει μόνο στην κανονική λειτουργία ελέγχου θέρμανσης. Επιτρέπει στη συσκευή να επιστρέψει σε κατάσταση Αναμονής (Standby) μετά από ένα καθορισμένο χρονικό διάστημα. Για να χρησιμοποιήσετε αυτή τη λειτουργία, θα πρέπει να είναι αναμμένη η θέρμανση.

Πατήστε **⌚** για να ανατρέξετε στις ρυθμίσεις από OFF και 0.5 ώρα έως τις 9 ώρες. Στην οθόνη θα εμφανίζονται το σύμβολο του χρονόμετρου και ο χρόνος που απομένει.

Το θερμαντικό σύστημα της συσκευής μπορεί να λειτουργεί αυτόματα με τη χρήση της ημερήσιας και εβδομαδιαίας χρονορρύθμισης.

ΕΒΔΟΜΑΔΙΑΙΑ ΧΡΟΝΟΡΡΥΘΜΙΣΗ ΘΕΡΜΑΝΣΗΣ

Οι ακόλουθες περίοδοι θέρμανσης έχουν προκαθοριστεί, αλλά, αν θέλετε, μπορούν να τροποποιηθούν:

Από Δευτέρα έως Παρασκευή
06:00 έως 08:30
17:00 έως 22:00

Από Σάββατο έως Κυριακή
06:30 έως 09:30
11:00 έως 13:00
17:00 έως 22:00

Πατήστε το **M** μέχρι να εμφανιστεί το σύμβολο **W**.



Κρατήστε το κουμπί **←** πατημένο για 6 δευτερόλεπτα.

Πατήστε '←' ή '→' για να μετακινήσετε τον δρομέα (την υπογράμμιση που αναβοσβήνει).

Πατήστε το κουμπί **←** στην αντίστοιχη θέση εβδομάδας για να επιλέξετε (ο χαρακτήρας επισημαίνεται) ή να ακυρώσετε (ο χαρακτήρας εμφανίζεται κανονικά) την τρέχουσα ρύθμιση. Μπορείτε να επιλέξετε μαζί τις ίδιες χρονικές περιόδους.



Πατήστε το κουμπί '→' για να μετακινήσετε τον δρομέα στην περιοχή ρύθμισης της χρονικής περιόδου.

Πατήστε '←' ή '→' για να επιλέξετε ώρα ή λεπτό.

Πατήστε το κουμπί '+' ή '-' για να αλλάξετε τον αριθμό. Μπορούν να καθοριστούν έως 3 διαφορετικά χρονικά διαστήματα θέρμανσης ανά ημέρα. Η ρύθμιση των λεπτών αυξομειώνεται κατά 15 λεπτά με κάθε πάτημα.

Πατήστε **←** για να ρυθμίσετε τον χρόνο θέρμανσης για την επιλεγμένη ημέρα και να επιστρέψετε στη γραμμή της εβδομάδας.

Κρατήστε το κουμπί **←** πατημένο για 3 δευτερόλεπτα ή περιμένετε για 10 δευτερόλεπτα για να αποθηκευτούν οι ρυθμίσεις και να βγείτε από τη ρύθμιση των περιόδων θέρμανσης.

Πατήστε **←** '←' ή '→' για να ελέγξετε τη ρύθμιση του χρονοδιακόπτη για τη χρονορρύθμιση θέρμανσης εβδομάδας.

Για να σβήσετε τη θέρμανση, επιστρέψτε στην Κανονική Λειτουργία Ελέγχου.

Όταν βρίσκεστε σε λειτουργία Εβδομαδιαίας Χρονορρύθμισης Θέρμανσης, το σβήσιμο της συσκευής με το τηλεχειριστήριο θα διακόψει τον φωτισμό. Η θέρμανση θα συνεχιστεί σύμφωνα με τη χρονορρύθμιση.

ΡΥΘΜΙΣΗ ΤΗΣ ΘΕΡΜΟΚΡΑΣΙΑΣ

Πατήστε το κουμπί '+' ή '-' για να αυξομειώσετε τη θερμοκρασία με βάση τη θερμοκρασία άνεσης (COMF).

COMF σημαίνει ότι η πραγματική θερμοκρασία είναι ίδια με τη ρύθμιση που έχετε κάνει.

ECO σημαίνει ότι η πραγματική θερμοκρασία είναι 2 °C χαμηλότερη από τη ρύθμιση.

ECO- σημαίνει 4 °C χαμηλότερη.

COMF+ σημαίνει 2 °C ψηλότερη.

COMF++ σημαίνει 4 °C ψηλότερη.

ΠΡΟΣΑΡΜΟΖΟΜΕΝΗ ΕΚΚΙΝΗΣΗ

Η συσκευή θέρμανσης θα καθορίσει αυτόματα τον κατάλληλο χρόνο για τη λειτουργία της θέρμανσης έτσι ώστε να φτάσει στην προκαθορισμένη θερμοκρασία κατά την προκαθορισμένη ώρα (έως και 45 λεπτά πριν από την προκαθορισμένη ώρα).

ΛΕΙΤΟΥΡΓΙΑ ADVANCE (ΠΡΟΧΩΡΗΜΑ)

Η κατάσταση θέρμανσης μπορεί να προχωρήσει στην επόμενη περίοδο τόσο κατά την ημερήσια όσο και κατά την εβδομαδιαία χρονορρύθμιση θέρμανσης.

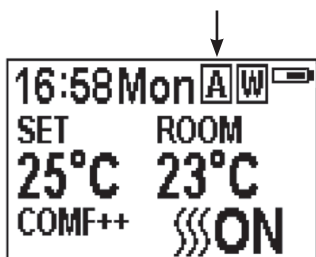


Αν η θέρμανση είναι αναμμένη κατά την τρέχουσα περίοδο, το πάτημα αυτού του κουμπιού θα τη σβήσει.

Αν η θέρμανση είναι σβησμένη κατά την τρέχουσα περίοδο, το πάτημα αυτού του κουμπιού θα την ανάψει.

Η ενεργοποίηση/απενεργοποίηση της θέρμανσης εξαρτάται από τη θερμοκρασία δωματίου και τη ρύθμιση θερμοκρασίας.

Πατήστε **[[[A** για να περάσετε στη λειτουργία Advance στο πλαίσιο της ημερήσιας και εβδομαδιαίας χρονορρύθμισης θέρμανσης.



Πατήστε **[[[A** ξανά ή περιμένετε τη λήξη του διαστήματος χρονορρύθμισης για να βγείτε από τη λειτουργία Advance.

ΑΝΙΧΝΕΥΣΗ ΑΝΟΙΧΤΟΥ ΠΑΡΑΘΥΡΟΥ

Όταν ο πομπός ανιχνεύει απότομη πτώση της θερμοκρασίας του δωματίου, κρίνει ότι οφείλεται σε ανοιχτό παράθυρο: εμφανίζεται η προειδοποιητική εικόνα και η θέρμανση σβήνει αυτόματα.



Μετά την άνοδο της θερμοκρασίας του εσωτερικού χώρου ή με χειροκίνητη παρέμβαση (με χρήση του τηλεχειριστηρίου), θα επιστρέψει στην κανονική κατάσταση λειτουργίας.

ΧΕΙΡΙΣΜΟΣ ΤΗΣ ΣΥΣΚΕΥΗΣ ΑΝΤΙΜΕΤΩΠΙΣΗ ΠΡΟΒΛΗΜΑΤΩΝ

ΜΠΑΤΑΡΙΑ

Η στάθμη ισχύος της μπαταρίας εμφανίζεται στην επάνω δεξιά πλευρά της οθόνης του τηλεχειριστηρίου.

	Πλήρης μπαταρία	Δεν απαιτείται καμία ενέργεια.
	Μισογεμάτη μπαταρία	Βεβαιωθείτε ότι διαθέτετε νέες μπαταρίες.
	Άδεια μπαταρία	Αντικαταστήστε τις μπαταρίες αμέσως.

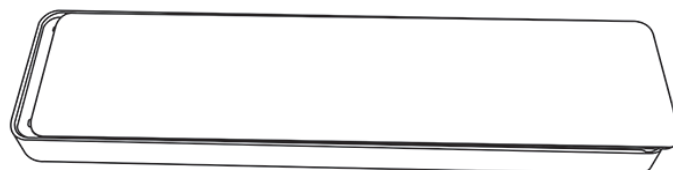


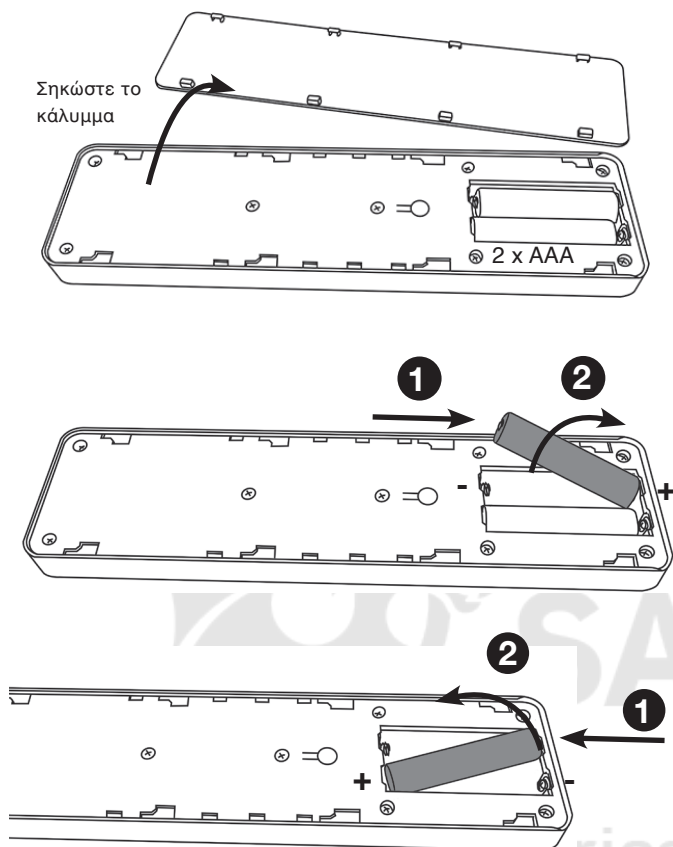
ΣΗΜΕΙΩΣΗ: Το τηλεχειριστήριο διαθέτει ένδειξη κατάστασης μπαταρίας (επάνω δεξιά γωνία). Μετά από μια παρατεταμένη περίοδο που εμφανίζεται άδεια, η οθόνη LED θα πάψει να λειτουργεί παρά το γεγονός ότι το τηλεχειριστήριο θα εξακολουθεί να στέλνει εντολές. Αντικαταστήστε τις μπαταρίες για να επανέλθει η οθόνη.

ΑΝΤΙΚΑΤΑΣΤΑΣΗ ΤΗΣ ΜΠΑΤΑΡΙΑΣ

Οι εξαντλημένες μπαταρίες πρέπει να αφαιρούνται από τη συσκευή και να απορρίπτονται με ασφάλεια.

Σύρετε το κάλυμμα





Βεβαιωθείτε ότι οι μπαταρίες του τηλεχειριστηρίου είναι καινούργιες και έχουν τοποθετηθεί σωστά.

Πετάξτε τις παλιές μπαταρίες σε κατάλληλη εγκατάσταση ανακύκλωσης.

Η αντικατάσταση των μπαταριών συνιστάται μετά από διάστημα 1 έτους.
Το τηλεχειριστήριο απαιτεί δύο αλκαλικές μπαταρίες AAA 1.5V.

Εξασφαλίστε τη σωστή πολικότητα.
Μη βραχυκυκλώνετε τις απολήξεις.

Μην επιχειρήσετε να επαναφορτίσετε μη επαναφορτιζόμενες μπαταρίες.

Αφαιρέστε τις επαναφορτιζόμενες μπαταρίες πριν από τη φόρτιση.

Μην αναμιγνύετε παλιές και νέες μπαταρίες.

Αφαιρέστε τις μπαταρίες αν η συσκευή δεν πρόκειται να χρησιμοποιηθεί για μεγάλο χρονικό διάστημα.

Η αλλαγή των μπαταριών δεν θα επηρεάσει τη χρονορύθμιση.
Βεβαιωθείτε ότι το ρολόι είναι ρυθμισμένο να δείχνει τη σωστή ώρα.



ΣΗΜΕΙΩΣΗ: Για τη χρήση τόσο των λειτουργιών στο τηλεχειριστήριο όσο και των λειτουργιών στον πίνακα ελέγχου, ο χειροκίνητος διακόπτης πρέπει να βρίσκεται στη θέση «ON». Για να αποτραπεί η υπερθέρμανση του προϊόντος, υπάρχει μια υστέρηση 10 δευτερολέπων όταν ενεργοποιείται ή απενεργοποιείται ο ανεμιστήρας του αερόθερμου.

Ο πίνακας ελέγχου ελέγχει τις βασικές λειτουργίες, όχι το σύνολο των λειτουργιών. Χρησιμοποιήστε το τηλεχειριστήριο για έλεγχο όλων των λειτουργιών.

ΕΝΔΕΙΞΕΙΣ ΛΕΙΤΟΥΡΓΙΑΣ ΘΕΡΜΑΝΤΙΚΟΥ ΣΩΜΑΤΟΣ

Όταν το αερόθερμο χρησιμοποιείται σε συνδυασμό με τα εφέ της φλόγας ή της κλίσης καυσίμου, οι ενδείξεις λειτουργίας του θερμαντικού σώματος θα ανάψουν για 10 δευτερόλεπτα.

Τα LED θα φωτιστούν για 10 δευτερόλεπτα εάν το εφέ της φλόγας ή το εφέ της κλίσης καυσίμου είναι ενεργοποιημένο. Αν το αερόθερμο χρησιμοποιείται ανεξάρτητα, οι ενδείξεις λειτουργίας του θερμαντικού θα μείνουν αναμμένες.

ΚΟΥΜΠΙ ΕΠΑΝΕΚΚΙΝΗΣΗΣ ΓΙΑ ΤΟ ΤΗΛΕΧΕΙΡΙΣΤΗΡΙΟ

Εάν το τηλεχειριστήριο χάσει το σήμα του ή πρέπει να αντικατασταθεί, ανατρέξτε στην Ενότητα Τεχνικού Ελέγχου για λεπτομέρειες.

ΚΩΔΙΚΟΣ ΣΗΜΑΤΟΣ

Ο πομπός του τηλεχειριστηρίου τροφοδοτείται στο εργοστάσιο με έναν μοναδικό κωδικό σήματος.

ΣΗΜΑΝΤΙΚΟ: Εάν το τηλεχειριστήριο χάσει το σήμα του ή πρέπει να αντικατασταθεί, ανατρέξτε στην Ενότητα Τεχνικού Ελέγχου για λεπτομέρειες.

ΣΥΝΤΗΡΗΣΗ

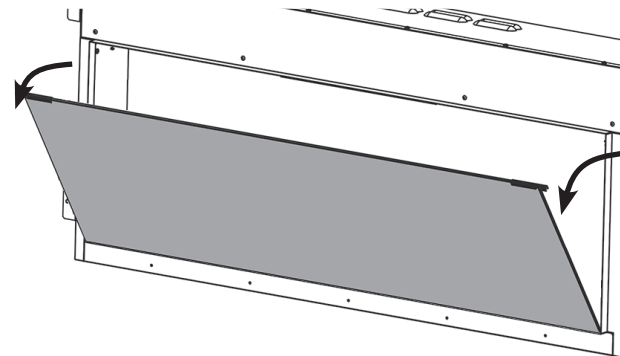
ΒΕΒΑΙΩΘΕΙΤΕ ΠΡΙΝ ΑΠΟ ΚΑΘΕ ΚΑΘΑΡΙΣΜΑ ΟΤΙ Η ΣΥΣΚΕΥΗ ΕΙΝΑΙ ΑΠΕΝΕΡΓΟΠΟΙΗΜΕΝΗ.

ΚΑΘΑΡΙΣΜΟΣ ΓΥΑΛΙΟΥ

Καθαρίστε τη γυάλινη πρόσοψη με υγρό πανί και γυαλίστε την με πανάκι χωρίς χνούδια.

Προσοχή: Μη χρησιμοποιείτε ισχυρά καθαριστικά υγρά πάνω στο γυάλινο πλαίσιο. Μην ψεκάζετε υγρά απευθείας πάνω σε καμιά επιφάνεια της συσκευής.

ΚΑΘΑΡΙΣΜΟΣ ΤΟΥ ΕΦΕ ΚΑΥΣΙΜΟΥ



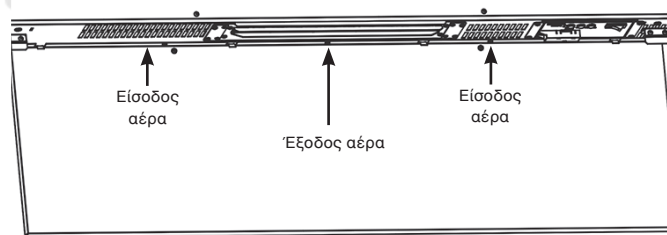
Αφαιρέστε και πλύνετε το εφέ καυσίμου για να αφαιρέσετε τυχόν σωματίδια σκόνης. Εναλλακτικά, καθαρίστε το με πανάκι που δεν αφήνει χνούδι. **Βεβαιωθείτε ότι το εφέ είναι στεγνό πριν το επαναφέρετε στη θέση του.**

Για αντικατάσταση του εφέ καυσίμου δείτε τις Οδηγίες Εγκατάστασης, ενότητα 5, για τη διάταξη.

Να το επαναφέρετε στη θέση του με την αντίστροφη σειρά.

ΚΑΘΑΡΙΣΜΟΣ ΕΙΣΟΔΩΝ ΑΕΡΑ

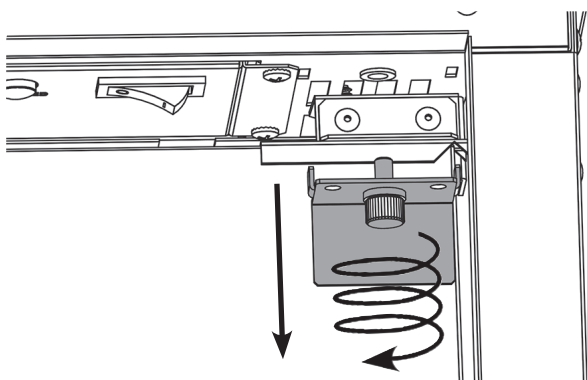
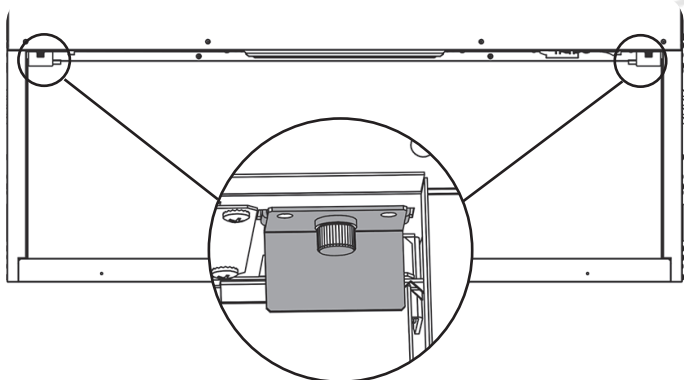
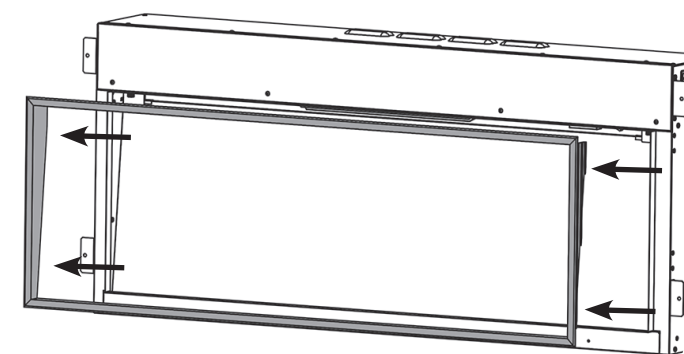
Να καθαρίζετε τακτικά την είσοδο αέρα και τις γρίλιες εξόδου με μαλακό πανί ή με το ακροφύσιο μιας ηλεκτρικής σκούπας.



Η συσσώρευση σκόνης μπορεί να μειώσει την αποτελεσματική απόδοση του ανεμιστήρα και να έχει σαν αποτέλεσμα την ενεργοποίηση της ασφαλείας θερμικής αποκοπής.

Κρατήστε την περιοχή γύρω από τη συσκευή καθαρή και απαλλαγμένη από χνούδι, σκόνη ή τρίχες κατοικίδιων ζώων.

Ειδικότερα, η συσσώρευση σκόνης κ.λπ. μπορεί να συμβεί γύρω από την περιοχή του θερμαντικού σώματος. Προσέξτε ιδιαίτερα να καθαρίζετε τακτικά αυτή την περιοχή από παρόμοια σωματίδια ώστε να αποφεύγετε τη συσσώρευσή τους.



ΕΓΚΑΤΑΣΤΑΣΗ

ΓΕΝΙΚΑ

ΑΠΑΙΤΟΥΜΕΝΑ ΕΡΓΑΛΕΙΑ

Θα χρειαστούν κατσαβίδι, αεροστάθμη, πριόνι και τρυπάνι..

ΑΠΟΣΥΣΚΕΥΑΣΙΑ ΤΟΥ ΤΖΑΚΙΟΥ

ΠΡΟΕΙΔΟΠΟΙΗΣΗ! ΜΗ χρησιμοποιείτε τη συσκευή αν κάποιο εξάρτημά της είναι βρεγμένο.

Καλέστε αμέσως έναν εξειδικευμένο τεχνικό για να επιθεωρήσει και να αντικαταστήσει, αν χρειάζεται, οποιοδήποτε μέρος του ηλεκτρικού συστήματος.

Ανοίξτε προσεκτικά τη συσκευασία και αφαιρέστε το προστατευτικό υλικό (πολυστυρένιο). Αφαιρέστε και πετάξτε την πλαστική σακούλα. Κρατήστε κάθε πλαστικό περιτύλιγμα μακριά από παιδιά. Διαχειριστείτε τα υλικά συσκευασίας με υπευθυνότητα.

Βεβαιωθείτε ότι έχετε ξεπακετάρει όλα τα μέρη και όλα τα εξαρτήματα προτού αποσύρετε τη συσκευασία. Εάν είναι απαραίτητο, φυλάξτε την αρχική συσκευασία για περίπτωση μελλοντικής μεταφοράς ή/και αποθήκευσης.

Δοκιμάστε τη συσκευή πριν από την εγκατάσταση.

ΧΕΙΡΙΣΜΟΣ ΤΗΣ ΣΥΣΚΕΥΗΣ

ΤΟΠΟΘΕΤΗΣΗ ΤΟΥ ESTUDIO

Το νέο σας eStudio μπορεί να εγκατασταθεί σχεδόν οπουδήποτε στο σπίτι σας. Ωστόσο, όταν θα κάνετε την επιλογή της θέσης, φροντίστε να τηρούνται οι γενικές οδηγίες.

Είναι καλύτερο να εγκαταστήσετε τη συσκευή σε σημείο όπου δεν εκτίθεται άμεσα στο ηλιακό φως.

Το θερμαντικό σώμα θα πρέπει ιδανικά να τοποθετηθεί μέσα ή πλάι σε έναν εσωτερικό επίπεδο τοίχο γυψοσανίδας ή πλινθοδομής. Τα εξαρτήματα στερέωσης που παρέχονται είναι αποκλειστικά για χρήση σε τοίχους με τούβλα. Βεβαιωθείτε ότι χρησιμοποιούνται κατάλληλα εξαρτήματα στερέωσης όταν στερεώνετε τη συσκευή σε οποιαδήποτε εσοχή ή ειδικά κατασκευασμένη κοιλότητα.
ΣΗΜΕΙΩΣΗ: Η παρούσα συσκευή δεν είναι κατάλληλη για τοποθέτηση σε τοίχο με διάκενο και όψη σε εξωτερικό χώρο ή με ανοιχτή καμινάδα ή με οποιοδήποτε άνοιγμα εκτεθειμένο σε υγρασία ή ρεύματα, εκτός εάν λαμβάνονται επαρκείς προφυλάξεις ώστε να αποφεύγεται η έκθεση της συσκευής σε υγρασία ή δυνατά ρεύματα. Σε παρόμοιες εγκαταστάσεις, κάθε υπάρχουσα καμινάδα ή/και ειδικά κατασκευασμένοι αεραγωγοί πρέπει να σφραγίζονται πλήρως.

Βεβαιωθείτε ότι δεν υπάρχουν σωλήνες ή καλώδια πίσω από την περιοχή όπου θα ανοίξετε τρύπες.

Να φροντίζετε πάντα να στηρίζεται επαρκώς η συσκευή και να κάθεται σε σταθερή κατασκευή όταν είναι τοποθετημένη ψηλότερα από το δάπεδο.

Ιδανικά η συσκευή θα πρέπει να βρίσκεται κοντά σε κατάλληλη πρίζα τοίχου για να είναι δυνατή η σύνδεση. Μπορείτε να χρησιμοποιήσετε προέκταση από μια απομακρυσμένη πρίζα, αλλά πρέπει να την εγκαταστήσει ηλεκτρολόγος.

Η πρίζα πρέπει να είναι εύκολα προσβάσιμη για να μπορείτε να βγάλετε εύκολα τη συσκευή από το ρεύμα.

Σε περίπτωση βλάβης του καλωδίου ρεύματος, θα πρέπει να επιδιορθωθεί από τον κατασκευαστή, από εξουσιοδοτημένο σέρβις ή επαγγελματία ηλεκτρολόγο.

Βεβαιωθείτε ότι δεν υπάρχουν κουρτίνες και έπιπλα κοντά στην επιλεγμένη θέση, καθώς θα αποτελούσαν δυνητικό κίνδυνο πυρκαγιάς ή μπορεί να εμποδίζουν τους αγωγούς εξόδου του θερμαντικού σώματος.

ΠΡΟΕΙΔΟΠΟΙΗΣΗ! ΦΡΟΝΤΙΣΤΕ ΟΛΑ ΤΑ ΕΥΦΛΕΚΤΑ ΥΛΙΚΑ ΝΑ ΕΙΝΑΙ ΤΟΥΛΑΧΙΣΤΟΝ 1 ΜΕΤΡΟ ΜΑΚΡΙΑ ΑΠΟ ΤΗΝ ΠΡΟΣΩΠΗ ΤΟΥ ΗΛΕΚΤΡΙΚΟΥ ΤΖΑΚΙΟΥ.

ΑΠΑΙΤΗΣΕΙΣ ΤΕΧΝΙΚΟΥ ΕΛΕΓΧΟΥ



ΚΑΤΑ ΤΗ ΔΙΑΡΚΕΙΑ ΤΟΥ ΤΕΧΝΙΚΟΥ ΕΛΕΓΧΟΥ ΤΗΣ ΣΥΣΚΕΥΗΣ, ΙΣΩΣ ΧΡΕΙΑΣΤΕΙ ΝΑ ΚΟΨΕΤΕ ΔΕΤΗΡΕΣ ΚΑΛΩΔΙΩΝ ΓΙΑ ΚΑΛΥΤΕΡΗ ΠΡΟΣΒΑΣΗ Ή ΝΑ ΒΓΑΛΕΤΕ ΚΑΠΟΙΟ ΕΞΑΡΤΗΜΑ ΑΠΟ ΤΗ ΘΕΣΗ ΤΟΥ. ΦΡΟΝΤΙΣΤΕ ΝΑ ΤΑ ΕΠΑΝΑΦΕΡΕΤΕ ΣΤΗ ΘΕΣΗ ΤΟΥΣ ΚΑΤΑ ΤΗΝ ΕΠΑΝΑΣΥΝΑΡΜΟΛΟΓΗΣΗ ΤΗΣ ΣΥΣΚΕΥΗΣ.

Η ΠΑΡΟΥΣΑ ΣΥΣΚΕΥΗ ΠΡΕΠΕΙ ΝΑ ΣΥΝΤΗΡΕΙΤΑΙ ΜΟΝΟ ΑΠΟ ΕΞΕΙΔΙΚΕΥΜΕΝΟ ΠΡΟΣΩΠΙΚΟ.

ΠΡΙΝ ΑΠΟ ΟΠΟΙΑΔΗΠΟΤΕ ΤΕΧΝΙΚΗ ΕΡΓΑΣΙΑ ΣΤΗ ΣΥΣΚΕΥΗ: ΣΒΗΣΤΕ ΤΗ ΣΥΣΚΕΥΗ ΚΑΙ ΒΓΑΛΤΕ ΤΗΝ ΑΠΟ ΤΟ ΡΕΥΜΑ ΦΡΟΝΤΙΖΟΝΤΑΣ ΝΑ ΜΗΝ ΥΠΑΡΧΕΙ ΠΑΡΟΧΗ ΗΛΕΚΤΡΙΚΟΥ ΣΤΗ ΣΥΣΚΕΥΗ.

Περιμένετε τουλάχιστον 10 λεπτά μέχρι να κρυώσει η συσκευή.

Αντικατάσταση μπαταρίας τηλεχειριστηρίου

Αντικαταστήστε με 2 μπαταρίες AAA. Βεβαιωθείτε ότι οι μπαταρίες έχουν τοποθετηθεί σωστά στο τηλεχειριστήριο.



ΣΗΜΕΙΩΣΗ: Το τηλεχειριστήριο διαθέτει ένδειξη κατάστασης μπαταρίας (επάνω δεξιά γωνία). Μετά από μια παρατεταμένη περίοδο που εμφανίζεται άδεια, η οθόνη LED θα πάψει να λειτουργεί παρά το γεγονός ότι το τηλεχειριστήριο θα εξακολουθεί να στέλνει εντολές. Αντικαταστήστε τις μπαταρίες για να επανέλθει η οθόνη.

Συντήρηση μοτέρ

Το μοτέρ που χρησιμοποιείται στο εφέ φλόγας είναι προλιπασμένο για να έχει παρατεταμένη διάρκεια ζωής και δεν χρειάζεται περισσότερη λίπανση. Ωστόσο, συνιστάται ο περιοδικός καθαρισμός της θερμαντικής μονάδας με πανί ή ηλεκτρική σκούπα.

Επανεκκίνηση της ασφάλειας θερμικής αποκοπής

Η συσκευή διαθέτει Ηλεκτρονικό Έλεγχο Ασφάλειας (E.S.). Πρόκειται για μια διάταξη ασφάλειας που σβήνει τη συσκευή εάν υπερθερμανθεί για οποιονδήποτε λόγο, π.χ. όταν την έχουμε σκεπάσει.

Αν σταματήσει να λειτουργεί το αερόθερμο ενώ το φαινόμενο της φλόγας εξακολουθεί να λειτουργεί κανονικά, αυτό δείχνει ότι έχει τεθεί σε λειτουργία ο Ηλεκτρονικός Έλεγχος Ασφάλειας.

Μπορούμε να επανεκκινήσουμε τον Ηλεκτρονικό Έλεγχο Ασφάλειας μόνο όταν θα έχει κρυώσει η συσκευή.

Για να επανεκκινήσετε τον Ηλεκτρονικό Έλεγχο Ασφάλειας: Απενεργοποιήστε τη συσκευή (από τον διακόπτη ON/OFF στον πίνακα ελέγχου) και αφήστε την να κρυώσει για περίπου 120 λεπτά.

Αφαιρέστε κάθε εμπόδιο που μπορεί να υπάρχει στην έξοδο του αερόθερμου ή σε άλλα εσωτερικά στοιχεία.

Ανάψτε ξανά τη συσκευή και ο Ηλεκτρονικός Έλεγχος Ασφάλειας θα τεθεί πάλι σε λειτουργία. Βεβαιωθείτε ότι η συσκευή λειτουργεί κανονικά. Αν ο Ηλεκτρονικός Έλεγχος Ασφάλειας ενεργοποιηθεί ξανά, τότε θα πρέπει να ζητήσετε να γίνει έλεγχος από ηλεκτρολόγο.

חשוב

חלקי הכיסוי החיצוני של המתקן נחשבים ע"י היצרן כמשטח עבודה שמתחממים כאשר המחממים פועלים. לכן מומלץ שהגנה המתקן המתואמת עם BS 3248 (גרסה מעודכנת) תהיה בשימוש בנוכחותם של ילדים צעירים, מבוגרים או חולים.

רשת פתח החימום מתחממת מאוד בזמן פעולת המכשיר. אין לכסות את הרשת או חלקים אחרים של המכשיר.

לשימוש עם מקור חשמל 032zH05 V בלבד.

יש לקרוא את ההוראות בקפידה לפני ההתקנה ולשמור אותן במקום בטוח לצורך טיפולים ותחזוקה.

המכשיר חייב להיות מוארק

יחד עם זאת, Gazco ממליצה:

המכשיר אינו מיועד לשימוש ע"י ילדים מתחת לגיל 12, אנשים עם מוגבלויות פיזיות, חושיות או מנטליות, ואנשים ללא ידע או נסיון בהפעלה בטוחה של המכשיר. ילדים מעל גיל 12 יוכלו להפעיל את המכשיר רק לאחר קבלת הדרכה לגבי שימוש בטוח והסכנות הכרוכות בכך, או תחת פיקוח של מבוגר אחראי.

חלקי המכשיר מתחממים בזמן ההפעלה - אין להותיר ילד מתחת לגיל 12 ללא השגחה בקרבת קמין פועל ללא משגיח שיוכל למנוע מגע ישיר עם המכשיר בזמן פעולתו.

אין לאפשר לילדים לשחק עם המוצר.

ניקוי ותחזוקת המוצר ע"י ילדים יבוצע תחת השגחה.

מידע בריאותי ובטיחותי חשוב

יש לקרוא את ההוראות בעיון לפני השימוש במכשיר.

יש להסיר את האריזה ולסלק אותה לנקודת מחזור מתאימה.

אין למקם את המכשיר ישירות מעל שקע קבוע.

אין להשתמש במכשיר צמוד לאמבטיה, מקלחת, בריכה או כל אזור אחר בו המכשיר עלול לבוא במגע עם מים או לחות, כגון שרותים.



אזהרה! אין לכסות את המכשיר

למניעת התחממות יתר, אין לכסות את המכשיר או את פתחי כניסת/יציאת האוויר. אלא שימו לב לסימן האזהרה שעל המכשיר (ר' למעלה).

לשימוש פנימי בלבד. המכשיר לא מתאים לשימוש מחוץ לבית.

התקן זה יש להתקין בתוך תיבת מסגרת עץ ייעודית יש לוודא כי המכשיר מאוזן וכי הוא יוצב מרחק של לפחות מטר אחד מרהיטים, וילונות וכו'.

המכשיר חייב להיות מקובע או שקוע בקיר פנימי שטוח. יש להבטיח מרחק של לפחות 1 מ' בין המכשיר לרהיטים, וילונות וכו'.

בזמן התקנת המכשיר, יש להבטיח גישה למיקום התקע.

במידה ויש צורך להעביר את כבל החשמל דרך קיר לבנים, מעטפת אבן וכד', יש להתקין מגיני גומי בנקודות בלאי פוטנציאליות.

במקרה של כבל חשמל פגום, אין להשתמש במכשיר עד להחלפת הכבל. מסיבות בטיחותיות, הכבל יוחלף ע"י סוכן שרות של Gazco או חשמלאי מוסמך.

זהירות: על מנת למנוע סכנה עקב איפוס בלתי מכוון של הניתוק התרמי, אין לחבר מכשיר זה להתקן מיתוג חיצוני, כגון טיימר, ואין לחברו למעגל שמתוכנת להפעלה וכיבוי באופן תדיר.

במקרה של פגם במכשיר, יש להפסיק את השימוש.

תיקוני חשמל יבוצעו ע"י טכנאי חשמל בלבד. במקרה של כשל או נזק למכשיר, יש ליצור קשר עם סוכן המכירות שממנו רכשתם את המוצר.

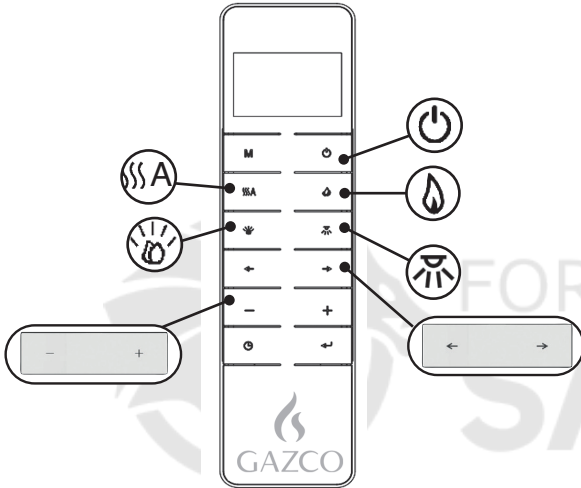
ילדים בני 8 ומעלה, אנשים עם יכולות פיזיות, חושיות או מנטליות מוגבלות, ואנשים ללא נסיון והכרת המוצר יוכלו להשתמש במכשיר תחת השגחה או לאחר קבלת הוראות לגבי שימוש בטוח במכשיר והבנת הסיכונים הכרוכים. ילדים מתחת לגיל 3 יוכלו להימצא בקרבת המכשיר רק תחת השגחה צמודה.

ילדים בגיל 3-8 יוכלו להפעיל ולכבות את המכשיר רק אם הוא ממוקם או מותקן במיקום המיועד, ותחת פיקוח או לאחר הדרכה לגבי השימוש במכשיר בצורה בטוחה והסכנות הכרוכות בשימוש. יש למנוע מילדים בגיל 3-8 לחבר את תקע החשמל של המכשיר, לבצע טיפולים, פעולות נקיין ותחזוקה.

הוראות הפעלה

שלטים

יש להניח את השלט על משטח שטוח חדר שבו מותקן המכשיר ולהרחיק אותו מזרם ישיר של אוויר חם.



הדלקה/כיבוי

מחמם

להבות

מיכל דלק

רצועת תאורת אווירה

בחירת צבע

רמות

שימוש במכשיר - התחלה מהירה

הדלק/כבה את המכשיר המכשיר יתחיל עם ההגדרות האחרונות שהוגדרו לו.

הדלקה/כיבוי של המחמם.

הגברה/הנמכה של החום.

הדלקה/כיבוי של אפקט הלהבה.

החלף בחירת צבע ישנן שלוש אפשרויות צבע ללהבות:

הגבר/הנמך רמת בהירות.

הדלקה/כיבוי של אפקטי מיכל הדלק.

החלף בחירת צבע ישנן 41 אפשרויות לבחירת צבע מיכל הדלק.

הגבר/הנמך רמת בהירות.

הדלקה/כיבוי של רצועת תאורת האווירה.

החלף בחירת צבע ישנן 41 אפשרויות לבחירת צבע מיכל הדלק.

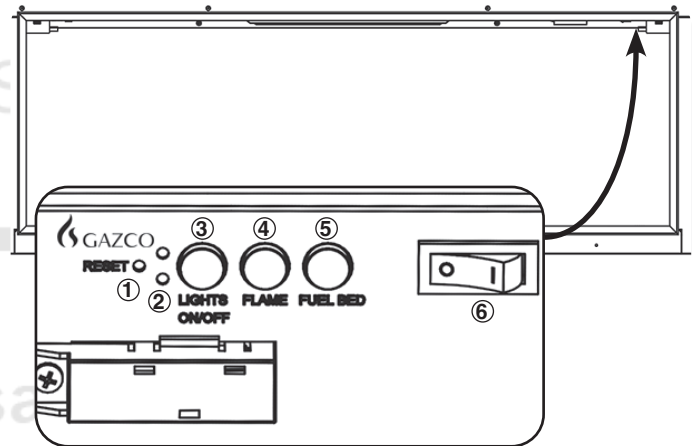
הגבר/הנמך רמת בהירות.



אזהרה! במקרה של פגם או תקלה במכשיר, יש להפסיק את השימוש. במקרה של חשד לנזק או תקלה במכשיר, יש ליצור קשר עם טכנאי שרות מוסמך לבדיקת המכשיר והחלפת חלקי חשמל במידת הצורך. אין להשתמש במכשיר עד לתיקון הבעיה.

אין לנתק את המכשיר מהחשמל כשהוא מופעל. לפני ניתוק החשמל, יש לכבות את הלהבה בעזרת השלט ולעביר את מתג ההפעלה למצב OFF.

לוח בקרה ידנית



1. כפתור איפוס מרחוק
2. מחוון מחממים
3. הדלקת/כיבוי כל האורות
4. כפתור הגדרות הלהבה
5. כפתור הגדרות מיכל דלק
6. הספק כח ראשי on/off

שימוש במכשיר

לחץ 6 להדליק/לכבות את המתקן.

לחץ 3 להדליק/לכבות את הלהבות ואת מיכל הדלק בו זמנית

לחץ 4 לבחירת צבע הלהבה או חזור למצב OFF. ישנן שלוש אפשרויות לבחירת צבע הלהבה.

לחץ 5 לבחירת צבע מיכל הדלק או חזור למצב OFF. ישנן 14 אפשרויות לבחירת צבע מיכל הדלק.

שים לב: המתקן לא ישמור את הגדרות אופציות התאורה כשהמתג מוגדר למצב OFF או במידה והשלט יכבה עקב סוללה חלשה.



הערה: לשימוש בשלט ובפונקציות הידניות בו זמנית, יש למניעת התחממות. NO לוודא שמתג ההפעלה נמצא במצב שניות לאחר הפעלת 10 יתר, המכשיר כולל השהייה של שניות לאחר כיבוי מאוורר החימום. 10 החימום והשהייה של הכפתורים הידניים מפעילים פונקציות בסיסיות בלבד. ניתן להפעיל את כל הפונקציות בעזרת השלט.

שימוש במכשיר - שימוש מתקדם

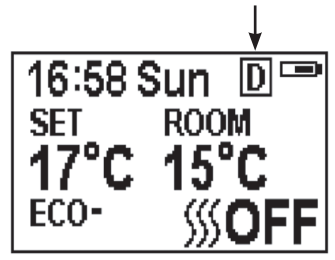
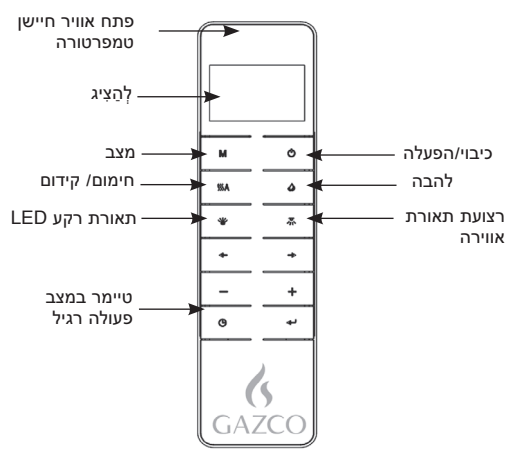
לשמירה ויציאה מהגדרות ימים, שעות וטמפי חימום, יש ללחוץ על ← במשך 3 שניות או להמתין במשך 10 שניות.

טיימר חימום יומי

מני החימום המפורטים להלן הוגדרו מראש במפעל. ניתן לשנות את ההגדרות לפי הצורך.

06:00 עד 08:00
17:00 עד 22:00

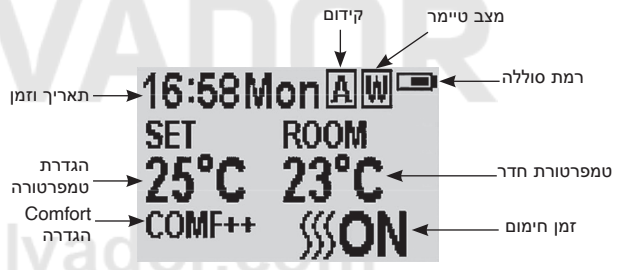
לכניסה למצב טיימר חימום יומי, יש ללחוץ על M עד שהסימן D יוצג בפניה הימנית העליונה בתצוגה.



לכניסה להגדרות חימום יומי, יש ללחוץ על ← במשך 6 שניות. ניתן להגדיר עד 3 זמני חימום ביום.

לבחירת שעות או דקות, יש ללחוץ על → או ←.

להגדרת מספר, יש ללחוץ על + או -. כל לחיצה מגדילה/מקטינה את משך החימום ב-15 דקות.



הפעלה/כיבוי

להפעלת אפקט להבה, יש ללחוץ על

לכיבוי על הפונקציות (כולל אפקט להבה ומאוורר חימום) במצב בקרת חימום רגיל, יש ללחוץ על

לכיבוי אפקט להבה בחימום עם טיימר יומי או שבועי, יש ללחוץ על

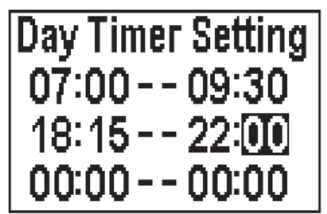
והגדרות COMFORT הגדרות ימים/ זמן/ טמפרטורת כלליות

לאחר ההתקנה, מומלץ לכוון את השעון לשעה המתאימה ע"מ להבטיח דיוק בזמני ההפעלה/כיבוי.

לכניסה למשך הגדרות, יש ללחוץ על M במשך 3 שניות.

לבחירת ההגדרה לשינוי, יש ללחוץ על ← או →.

להגדרה שנבחרה תודגש.



לשמירה ויציאה מהגדרות זמני חימום, יש ללחוץ על ← במשך 3 שניות או להמתין במשך 10 שניות.

בדוק את הגדרות הטיימר. לבדיקת מצב טיימר יומי, יש ללחוץ על ←.

במידה ונדרש כיבוי חימום, יש לכבות אותו ע"י חזרה למצב בקרה רגיל.

כיבוי המכשיר בעזרת השלט במצב טיימר יומי יפסיק את התאורה. המכשיר ימשיך להפיק חום בהתאם להגדרות הטיימר.

כיוון טמפרטורה מוגדרת

להגברת או הורדת הטמפרטורה ע"י טמפרטורת COMF, יש ללחוץ על + או -.

COMF: הטמפרטורה בפועל שווה לטמפרטורה המוגדרת.
ECO: הטמפרטורה בפועל נמוכה ב-2°C מהטמפרטורה המוגדרת.
ECO-: מתחת לטמפי המוגדרת, 4°C.
COMF+: מעל לטמפי המוגדרת, 2°C.
COMF++: מעל לטמפי המוגדרת, 4°C.



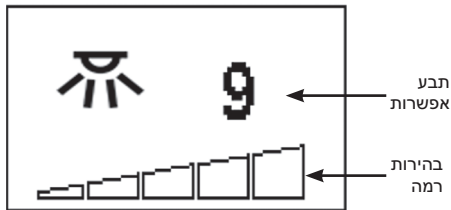
להגדרת מספר, יש ללחוץ על + או -.

זמן: 24 שעות.
בחר טמפרטורת COMFORT בין 15-25°C.
יחידת טמפ: °F/°C.

התאמת צבע פ9 התאורה

לכניסה למסך הגדרת הלהבה, יש ללחוץ על .
המכשיר כולל 3 צבעי הלהבה, בהתאם למפורט.

המכשיר כולל 6 רמות בהירות, כולל OFF. רמת הבהירות מצוינת בסרגל; סרגל ריק מצוין מצב OFF. לפרטים.



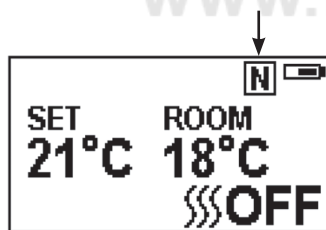
למעבר בין צבעי הלהבה, יש ללחוץ על ← או →.

להגברת בהירות הלהבה, יש ללחוץ על + להנמכת הלהבה, יש ללחוץ על -

מצב בקרה רגיל

מצב פעולה רגיל הנו מצב ברירת מחדל.

לחילופין, ניתן ללחוץ על M עד להופעת הסמל בפינה הימנית העליונה בתצוגה.



לכיוון הטמפי בטווח 17-25°C, יש ללחוץ על + או -.

לכיוון/הפעלת החימום, יש ללחוץ על .



הערה: מאוורר החימום מפסיק לפעול במהלך ההפעלה כשטמפרטורת החדר גבוהה מהטמפרטורה המוגדרת.

כשהלהבה במצב ON, חייווי החימום ייכבה לאחר 10 שניות. חייווי החימום יופעל רק בעת הפעלת פונקציית החימום.

כיווי המכשיר בעזרת השלט במצב פעולה רגיל יכבה את המכשיר, התאורה והחימום.

בקרת הפעלה מותאמת

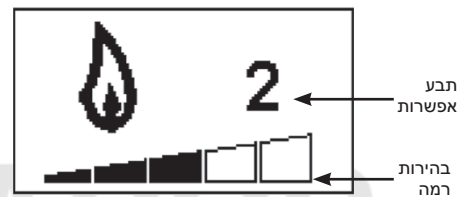
יחידת החימום תקבע את זמן החימום אוטומטית בהתאם לטמפרטורת החדר וטמפרטורת היעד המוגדרת ע"מ להבטיח שהמכשיר יגיע לטמפי היעד בזמן המתאים (עד 45 דקות לפני הזמן המוגדר).

כיוון גובה הלהבה

לכניסה למסך הגדרת הלהבה, יש ללחוץ על .

המכשיר כולל 3 צבעי הלהבה, בהתאם למפורט.

המכשיר כולל 6 רמות בהירות, כולל OFF. רמת הבהירות מצוינת בסרגל; סרגל ריק מצוין מצב OFF. לפרטים.



למעבר בין צבעי הלהבה, יש ללחוץ על ← או →.

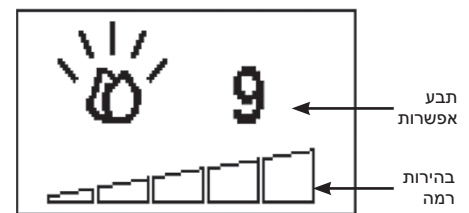
להגברת בהירות הלהבה, יש ללחוץ על + להנמכת הלהבה, יש ללחוץ על -

כיוון צבע מצע חומר הבעירה

יש ללחוץ על כדי להיכנס למסך התאמת תאורת מצע חומר הבעירה.

ישנן 14 חלופות צבע אפשרויות עבור מצע חומר הבעירה, שמשומנות במספר המוצג.

ישנן 6 רמות בהירות, כולל כבוי. אלו משומנות באמצעות הסרגל, כאשר סרגל ריק מצוין מצב כבוי.



יש ללחוץ על הלחצן "←" או "→" כדי לעבור בין אפשרויות צבע מצע חומר הבעירה.

יש ללחוץ על הלחצן "+" להגברת בהירות מצע חומר הבעירה.

יש ללחוץ על הלחצן "-" להפחתת בהירות מצע חומר הבעירה.

טיימר מצב סטנד-בי

להגדרת זמן החימום ביום שנבחר וחזרה לשורת השבוע, יש ללחוץ על ←.

לשמירה ויציאה מהגדרות זמני חימום, יש ללחוץ על ← במשך 3 שניות או להמתין במשך 10 שניות.

לבדיקת הגדרת טיימר במצב חימום שבועי, יש ללחוץ על ←, → או →.

במידה ונדרש כיבוי חימום, יש לכבות אותו ע"י חזרה למצב בקרה רגיל.

כיבוי המכשיר בעזרת השלט במצב טיימר שבועי יפסיק את התאורה. המכשיר ימשיך להפיק חום בהתאם להגדרות הטיימר.

כיוון טמפרטורה מוגדרת

להגברת או הורדת הטמפרטורה ע"י טמפרטורת COMF, יש ללחוץ על + או -.

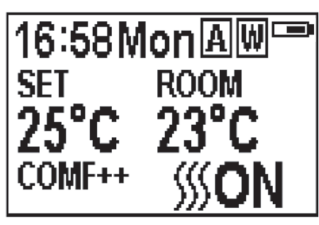
COMF: הטמפרטורה בפועל שווה לטמפרטורה המוגדרת.
ECO: הטמפרטורה בפועל נמוכה ב-2°C מהטמפרטורה המוגדרת.
ECO-: 4°C מתחת לטמפי' המוגדרת,
COMF+: 2°C מעל לטמפי' המוגדרת.
COMF++: 4°C מעל לטמפי' המוגדרת.

בקרת הפעלה מותאמת

יחידת החימום תקבע את זמן החימום אוטומטית בהתאם לטמפרטורת החדר וטמפרטורת היעד המוגדרת ע"מ להבטיח שהמכשיר יגיע לטמפי' היעד בזמן המתאים (עד 45 דקות לפני הזמן המוגדר).

מצב קידום טיימר

ניתן לקדם את הטיימר היומי והשבועי לזמן ההפעלה הבא שהוגדר.

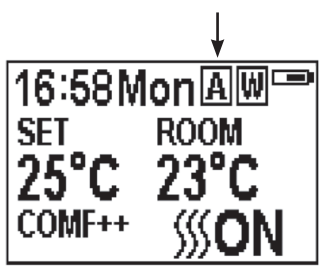


לחיצה ע הכפתור כשהקמין מופעל לפי הגדרות הטיימר תכבה את המכשיר.

לחיצה על הכפתור כשהקמין מכובה לפי הגדרות הטיימר תפעיל את המכשיר.

הפעלת החימום תלויה גם בטמפרטורת החדר ובטמפרטורה המוגדרת.

לכניסה למצב קידום במצב טיימר יומי ושבועי, יש ללחוץ על A ☺.



לאחר לחיצה חוזרת על A ☺ או סיום הזמן המוגדר בטיימר, המכשיר יצא מצב קידום.

הגדרה זו תופעל רק במצב בקרת חימום רגילה. כשהטיימר מופעל, המכשיר יעבור למצב סטנד-ביי לאחר פר הזמן שהוגדר. לשימוש בפונקציה זו, יש לכבות את החימום.

להגדרת זמן מעבר למצב סטנד-ביי (חצי שעה עד 9 שעות) או למצב OFF, יש ללחוץ על ⌚. סמל הטיימר והזמן שנוטר יופיעו בתצוגה.

ניתן להפעיל חימום אוטומטי ע"י הגדרת טיימר יומי או שבועי בעזרת השלט.

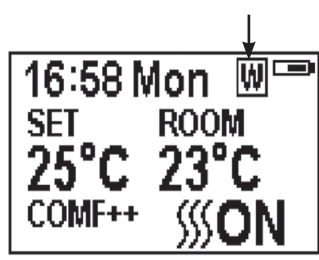
טיימר חימום שבועי

זמני החימום המפורטים להלן הוגדרו מראש במפעל ניתן לשנות את ההגדרות לפי הצורך:

יום שני - יום ששי:
06:00 עד 08:30
17:00 עד 22:00

שבת - יום ראשון:
06:30 עד 09:30
11:00 עד 13:00
17:00 עד 22:00

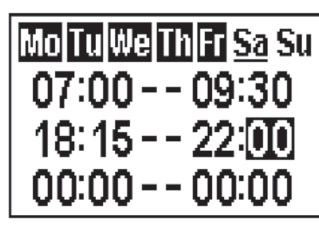
יש ללחוץ על M עד שהסימן ☺ יוצג בפינה הימנית העליונה.



לכניסה להגדרות טיימר חימום שבועי, יש ללחוץ על ← במשך 6 שניות.

להזזת הסמן (קן תחתון מהבהב), יש ללחוץ על ← או →.

לבחירת ההגדרה הנוכחית (המספר יודגש) או ביטולה (המספר יוצג ללא הדגשה), יש ללחוץ על ← בשבוע המתאים. ניתן לבחור אותן שעות עבור מספר ימים.



להזזת הסמן לאזור הגדרת זמן, יש ללחוץ על →.

לבחירת שעות או דקות, יש ללחוץ על ← או →.

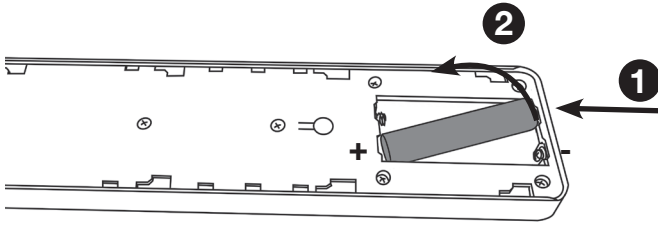
להגדרת מספר, יש ללחוץ על + או -.

ניתן להגדיר עד 3 זמני חימום ביום.

כל לחיצה מגדילה/מקטינה את משך החימום ב-15 דקות.

זיהוי חלון פתוח

כשהמסדר מזהה ירידה חדה של טמפי' החדר, הוא מתייחס לכך כאל חלון פתוח: יוצג סמל אזהרה והחימום יופסק אוטומטית.



וודא שהסוללות החדשות מוכנסות בצורה נכונה.

השלך את הסוללות הישנות למתקן מחזור מתאים.

החלפת סוללות מומלצת לאחר שנה. הסוללות הנדרשות לשלט הרחוק הן סוללות AAA 1.5V.

וודא שהסוללות מונחות נכון בתוך המכשיר. נא לא לקצר את הטרמינלים.

נא לא לטעון סוללות חד פעמיות.

הסר סוללות נטענות לפני טעינה.

נא לא לערבב סוללות חדשות וישנות.

הסר סוללות במידה ואין שימוש במכשיר במשך תקופה ארוכה.

החלפת הסוללות לא תשפיע על הגדרות הטיימר. וודא שהשעון מכוון לשעה הרצויה.

שימוש במכשיר איתור וטיפול בבעיות

סוללה

מצב הסוללה נראה בפינה הימנית העליונה בשלט הרחוק.

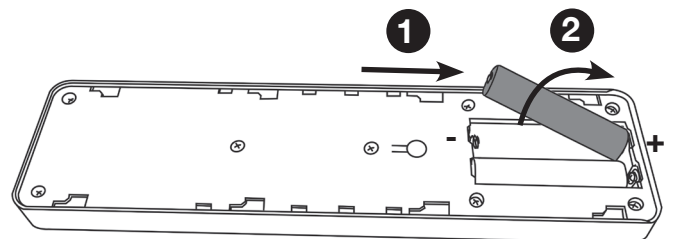
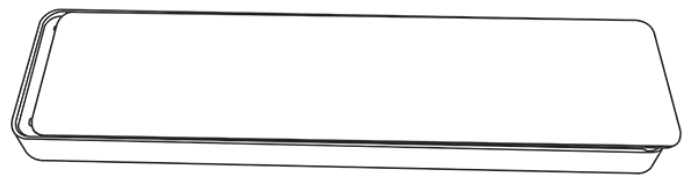
	סוללה מלאה	אף פעולה לא נדרשת
	סוללה חצי מלאה	וודא שסוללות חדשות זמינות
	סוללה ריקה	החלף סוללות בדחיפות

i הערה: בשלט הרחוק יש מחוון מצב סוללה (בפינה השמאלית העליונה), לאחר תקופת תצוגה ממושכת ריק את מסך LED יפסיק לתפקד למרות המכשיר עדיין יכול לשלוח פקודות. החלף את הסוללות לשחזור התצוגה.

החלפת סוללה

יש להסיר סוללות חלשות מהמכשיר ולהשליכן בצורה בטוחה.

הוצא כיסוי →



i שים לב: על מנת להשתמש בפונקציות הידניות והרחוקות מתג on/off חייב להיות במצב ON. על מנת למנוע את התחממות המתקן, יש עיכוב של 10 שניות כאשר מפעילים את המחממים ועיכוב של 10 שניות כשמפעילים את מאוורר המבער. כפתור המדריך שולט בפונקציות בסיסיות ולא בכולן. השתמש בשלט הרחוק להגדיר את כל האפשרויות.

מחוון מחממים

כאשר המאוורר של תנורי החימום נמצא בשימוש עם אפקטי הלהבה או מיכל הדלק, מחוון תנורי החימום יידלק למשך 10 שניות.

נורות ה-LED יאירו במשך 10 שניות במידה ואפקט הלהבה או מיכל הדלק יהיו דלוקים. במידה ומאוורר המבער יהיה בשימוש עצמאי, האינדיקטור של המבער יישאר דלוק.

כפתור האיפוס לשליטה מרחוק

במידה והשלט לא מגיב או שצריך החלפה, לפרטים עבור לחלק השירות.

קוד

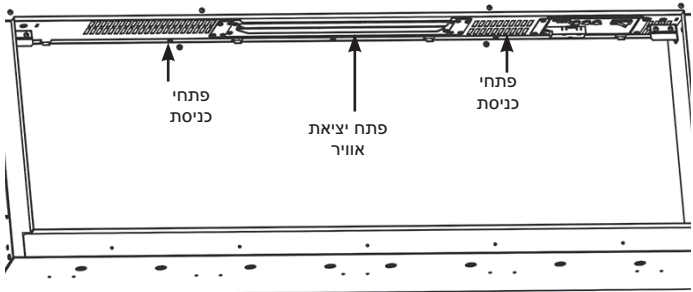
המסדר המדובר מיוצר במפעל עם קוד ייחודי.

חשוב: במידה והשלט לא מגיב או שצריך החלפה, לפרטים עבור לחלק השירות.

ניקוי פתחי אוויר

וודא שהמכשיר מנותק מהחשמל.

יש לנקות את פתחי כניסת ויציאת האוויר מדי פעם בעזרת מטלית רכה או שואב אבק.



הצטברות אבק עלולה לפגוע בביצועי המאוורר ואף לגרום להפעלת מפסק הבטיחות.

יש לנקות מוך, אבק ושערות של בע"ח מהשטח מסביב למכשיר, במיוחד מסביב לאזור החימום.

בפרט, תיתכן הצטברות של אבק וכו' סביב אזור המחמם. יש להקפיד לשמור אזור זה נקי תמידית מחלקיקים כאמור על מנת למנוע הצטברות.

תחזוקה

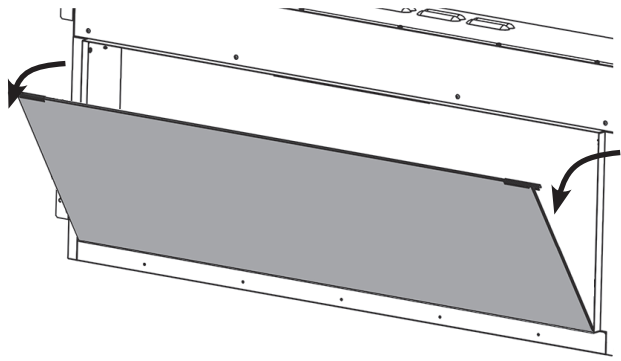
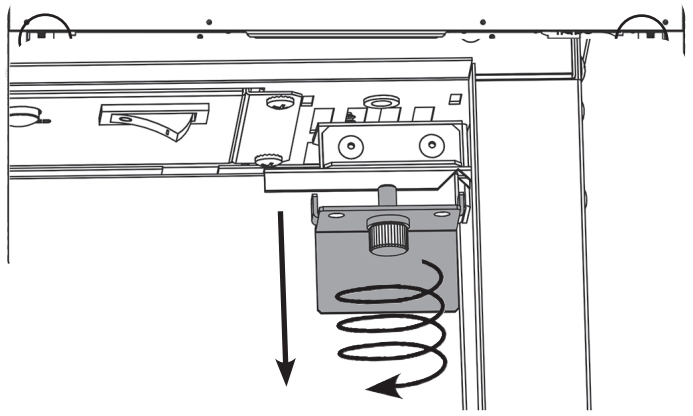
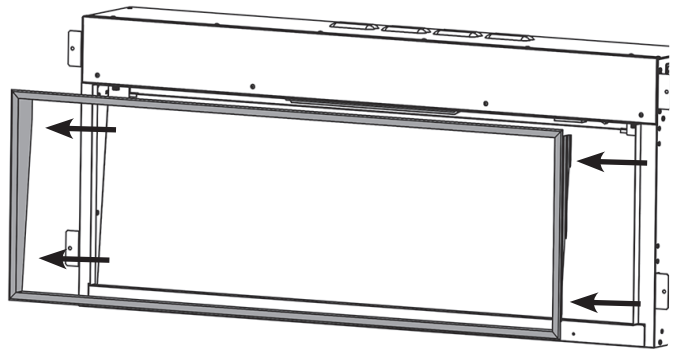
יש לנתק את המכשיר מהחשמל לפני ביצוע פעולות תחזוקה ונקיון.

ניקוי הזכוכית

יש לנגב את החזיות בעזרת מטלית לחה ולייבש בעזרת מטלית אבק ללא מוך.

אזהרה: אין להשתמש בחומרים שורטים לניקוי הזכוכית. אין להתיז נוזלים ישירות על משטחי היחידה.

ניקוי מיכל הדלק



הסר ושטוף את מיכל הדלק על מנת להסיר חלקיקי אבק. לחילופין, ניתן לנקות עם מטלית לניקוי אבק. וודא שהמיכל יבש לפני ההחלפה.

החזר את מיכל הדלק ראה הוראות התקנה.

החזר בסדר הפוך.

יש להחזיר את המסגרת הדקורטיבית למקומה.

הוראות התקנה

כללי

כלים נדרשים

כלים נדרשים: מברג, פלס, מסור, ומקדחה.

פירוק אריזת המכשיר

אזהרה! אין להשתמש במכשיר במידה ואחד מהחלקים בא במגע עם מים. יש להזמין טכנאי שרות מוסמך לבדיקת המכשיר והחלפת רכיבי החשמל הנדרשים.

פתח את האריזה בהירות והסר את עטית הקלקר. הסר וסלק את עטית הפלסטיק.

יש להרחיק את העטיפה מילדים.

וודא שהוצאת את כל חלקי המוצר והחלקים הנלווים לפני סילוקה לאשפה.

במידת הצורך, ניתן לשמור את האריזה המקורית לאחסון או/ו העברת המכשיר בעתיד.

בדוק את המכשיר לפני ההתקנה.

התקנת המכשיר

מיקום ה-eStudio

מיקום ה-eStudio: ניתן להתקין את קמין ה-eStudio כמעט בכל מקום ברחבי הבית. יחד עם זאת, יש לבחור את מקום ההתקנה בהתאם להוראות הכלליות.

תנור אידיאלי צריך להיות מצויד לתוך / על קיר שטוח פנימי שנבנו משני עבודות אבן או לחסום טיח / לבנים. התקעים המסופקים נועדו לשימוש על קירות לבנים בלבד. הקפד להשתמש בעצות המתאימות בעת הבטחת שטח בנוי או שטח בנוי.

הערה: מכשיר זה אינו מתאים לקיר קיר, לקיר חיצוני, לארובה פתוחה או לכל פתחים העשויים להיות כפופים ללחות או טיוטה, אלא אם ינקטו אמצעי זהירות מתאימים כדי למנוע מהמכשיר לבוא במגע עם לחות או טיוטות מוגזמות.

לתוצאות מיטביות, מומלץ להתקין במיקום שאינו חשוף לאור שמש ישיר.

על המכשיר להיות מותקן במארז תכליתי מובנה. הקפד להשתמש בקצות מתאימות בעת אבטחת כל חלל חלול או חלל.

וודא אין מעבר צינורות או כבלים באזור הקדחים / חיתוכים.

ודא תמיד שהמכשיר נתמך בצורה נאותה ומתיישב על מבנה איתן כאשר מתנשא מעל לרצפה.

מומלץ למקם המכשיר ליד שקע חשמל מתאים. חיבור כבל מאריך מהשקע למכשיר במידת הצורך יבוצע ע"י טכנאי חשמל מוסמך. יש לוודא שניתן לגשת לשקע החשמל בקלות לניתוק מהיר לאחר ההתקנה.

במידה ונגרם נזק לכבל החשמל, יש לשלוח אותו לתיקון אצל היצרן, מוקד שרות מורשה או איש מקצוע.

יש לוודא שאין וילונות ורהיטים בקרבת מיקום ההתקנה, למניעת שריפה או חסימת פתחי תעלות החימום

אזהרה! יש להרחיק חומרים דליקים לפחות 1 מ' מחזית וצדי המכשיר.

טיפול נדרשים



במסגרת חלק מהטיפולים במכשיר, יש צורך לחתוך את תופסני הכבלים לגישה הסרת חלקים מסוימים. לאחר סיום הטיפול, יש להתקין תופסנים חדשים.



אזהרה: צירי האפקט חדים, יש לנקוט בזהירות בעת הטיפול במכשיר זה.



הערה: בשל ריבוי הדגמים המפורטים במדריך הוראות זה, מספר הברגים שיש להסיר במהלך הטיפול עשוי להשתנות.

טיפולים יבוצעו ע"י איש שרות מוסמך בלבד.

לפני בוצע עבודות על המכשיר: יש לנתק ולבודד את המכשיר מהחשמל.

יש להמתין לפחות 10 דקות עד לצינון המכשיר.

החלפת סוללות שלט

החלף את הסוללות הישנות ב-2 סוללות AAA חדשות. וודא שהסוללות מותקנות בצורה נכונה בשלט.



הערה: בשלט הרוחק יש מחוון מצב סוללה (בפינה השמאלית העליונה), לאחר תקופת תצוגה ממושכת ריק את מסך LED יפסיק לתפקד למרות המכשיר עדיין יכול לשלוח פקודות. החלף את הסוללות לשחזור התצוגה.

תחזוקת מנועים

מנוע אפקט הלהבה משומן בחומר סיכה שמאריך את חיי המיטב. אין צורך למרוח חוסר סיכה נוסף. יחד עם זאת, מומלץ לנקות/לשאוב את יחידת החימום באופן שוטף.

אתחול מפסק ניתוק תרמי

המכשיר כולל התקן בקרת בטיחות אלקטרוני (ES). זהו מנגנון בטיחות שמפסיק את החימום אוטומטית במקרה של התחממות יתר מסיבה כלשהי, לדוגמה כשהמכשיר מכוסה.

כשמפסק הבטיחות מופעל, החימום יפסק, אך אפקט הלהבה ימשיך לפעול.

UZMANĪBU

RAŽOTĀJS ŠIS IERĪCES ĀRĒJĀ KORPUSA DETALĀS UZSKATA PAR DARBA VIRSMU, KAS SAKARST, KAD SILDĪTĀJS IR IESLĒGTS. TĀDĒĻ, LIETOJOT IERĪCI MAZU BĒRNU, VECĀKA GADAGĀJUMA UN NESPĒJĪGU CILVĒKU KLĀTBŪTNĒ, IETEICAMS IZMANTOT TO KOPĀ AR KAMĪNA REŽĢI, KAS ATBILST STANDARTA BS 8423 (PĒDĒJAIS IZDEVUMS).

DARBĪBAS LAIKĀ SILDĪTĀJA IZPLŪDES REŽĢIS ĻOTI SAKARST. NENOSIEDZIET IERĪCES IZPLŪDES REŽĢI VAI KĀDU CITU DETALU.

Tikai lietošanai ar 230 V 50 Hz elektrotīkla parametriem.
Pirms uzstādīšanas ļoti rūpīgi izlasiet šīs instrukcijas un glabājiet tās drošā vietā.
Tās būs nepieciešamas apkopes vai servisa veikšanas laikā.
ŠĪ IERĪCE JĀIEZEMĒ

ŠIS PRODUKTS PIEMĒROTS TIKAI LABI IZOLĒTĀS Telpās UN TIKAI LIETOŠANAI LAIKU PA LAIKAM.

SVARĪGA INFORMĀCIJA UN VESELĪBA UN DROŠĪBA

Pirms ierīces lietošanas rūpīgi izlasiet visas instrukcijas. Noņemiet visu iepakojumu un utilizējiet to piemērotā otrreizējās pārstrādes punktā.
Nenovietojiet šo ierīci tieši zem kontaktligzdas.

Ražotājs šīs ierīces ārējā korpusa detaļas uzskata par darba virsmu, kas sakarst, kad sildītājs ir ieslēgts. Bērnu, vecāka gadagājuma un nespējīgu cilvēku aizsardzībai jālieto piemērots kamīna režģis.

Nelietojiet ierīci vannas, dušas, peldbaseina tiešā tuvumā vai citā vietā, kur ierīce var saskarties ar ūdeni vai mitrumu, piemēram, vannasistabā.



BRĪDINĀJUMS! NENOSEGT

Nepieļaujot, lai ierīci nosegtu vai gaisa ieplūdes/izplūdes atvere būtu nobloķēta, jo ierīce var pārkarst. Pievērsiet uzmanību brīdinājuma simbolam uz ierīces (skat. iepriekš).

Tikai lietošanai telpās. Šī ierīce nav piemērota lietošanai āra apstākļos,

Šī ierīce ir jāuzstāda speciāli būvētam radžu korpusam. Pārliecinieties, ka ierīce ir līdzena un mēbeles, aizkari utt. Ir novietoti ne tuvāk par 1 m.

Ja caur kamīnu, akmens korpusu utt. nepieciešams izvadīt barošanas kabeli, gādājiet, lai vietās, kas var nolietoties, būtu uzstādīti piemēroti gumijas ieliktni.

Ja ierīci uzstāda atvērtā kamīnā, nobloķējiet piekļuvi skurstenim, lai mazinātu caurvēja risku, kura ietekmē var nostrādāt drošības izslēgšanas funkcija.

Barošanas kabelis nedrīkst atrasties karstu virsmu tuvumā vai karstumā. Neizvietojiet barošanas vadu ierīces priekšpusē.

Pēc kamīna uzstādīšanas spraudkontaktam jābūt pieejamam.

Ja bojāts barošanas kabelis, nelietojiet ierīci, kamēr tas nav nomainīts. Drošības apsvērumu dēļ to var nomainīt tikai Gazco apkopes darbinieks vai tik pat kompetents elektriķis.

UZMANĪBU. Lai izvairītos no briesmām, kas rodas, nejausi atiestatot termoslēdzi, šo ierīci nedrīkst darbināt ar ārējo komutācijas ierīci, piemēram, taimeru, vai pieslēgt ķēdei, kuru komunālo pakalpojumu uzņēmums regulāri ieslēdz un izslēdz.

Neekspluatējiet bojātu ierīci.

Elektrisko ierīču remontu var veikt tikai inženieris elektriķis. Ja ierīce nedarbojas vai tai radušies kādu bojājumi, sazinieties ar mazumtirgotāju, no kura to iegādājāties.

Šo ierīci drīkst izmantot bērni no 8 gadu vecuma un cilvēki ar ierobežotām fiziskām, sensorām vai garīgām spējām, vai pieredzes un zināšanu trūkumu atbildīgās personas uzraudzībā vai, ja tie ir informēti par ierīces drošu lietošanu un izprot potenciālos riskus. Bērni ar ierīci rotaļāties nedrīkst. Bērni bez uzraudzības nevar veikt ierīces tīrīšanu vai apkopi.

Bērni līdz 3 gadu vecumam nevar atrasties ierīces tuvumā bez uzraudzības.

Bērni vecumā no 3 līdz 8 gadiem ierīci var tikai ieslēgt/izslēgt ar noteikumu, ka tā izvietota vai uzstādīta tai paredzētajā normālā ekspluatācijas pozīcijā un bērni tiek uzraudzīti vai saņēmuši norādījumus par ierīces drošu lietošanu, kā arī apzinās ar to saistītās briesmas. Bērni vecumā no 3 līdz 8 gadiem nevar ierīci pieslēgt elektrotīklam, regulēt vai tīrīt to, kā arī nevar veikt tās apkopi.

Brīdinājums. Dažas šī izstrādājuma detaļas var stipri sakarst un izraisīt apdegumus. Jābūt īpaši uzmanīgiem, ja ierīces tuvumā ir bērni un neaizsargātas personas.

Tomēr Gazco iesaka:

Šo ierīci nav paredzēts izmantot personām, kas jaunākas par 12 gadiem, personām ar ierobežotām fiziskām, sensorām vai garīgām spējām, vai pieredzes un zināšanu trūkumu par ierīces drošu ekspluatāciju.

Ierīci var ekspluatēt personas, kas vecākas par 12 gadiem, ja tās saņēmušas norādījumus par ierīces drošu lietošanu, kā arī apzinās ar to saistītās briesmas. Personas, kas vecākas par 12 gadiem, var arī ekspluatēt ierīci atbildīgas pieaugušas personas uzraudzībā.

Dažas šīs ierīces detaļas ekspluatācijas laikā sakarst, tādēļ personas, kas jaunākas par 12 gadiem, nekādā gadījumā nedrīkst atstāt vienas, kad ierīce darbojas, ja tai nav uzstādīts piemērots kamīna režģis, kas neļaus bērnam saskarties ar ierīci.

Bērni ar ierīci rotaļāties nedrīkst.

Bērni bez uzraudzības nevar veikt ierīces tīrīšanu vai apkopi.

- Spilgtuma palielināšana vai samazināšana.

 **Degošā slāņa efekta ieslēgšana/izslēgšana.**

- Krāsu opcijas maiņa.
Pieejamas 14 degošā slāņa krāsu opcijas.

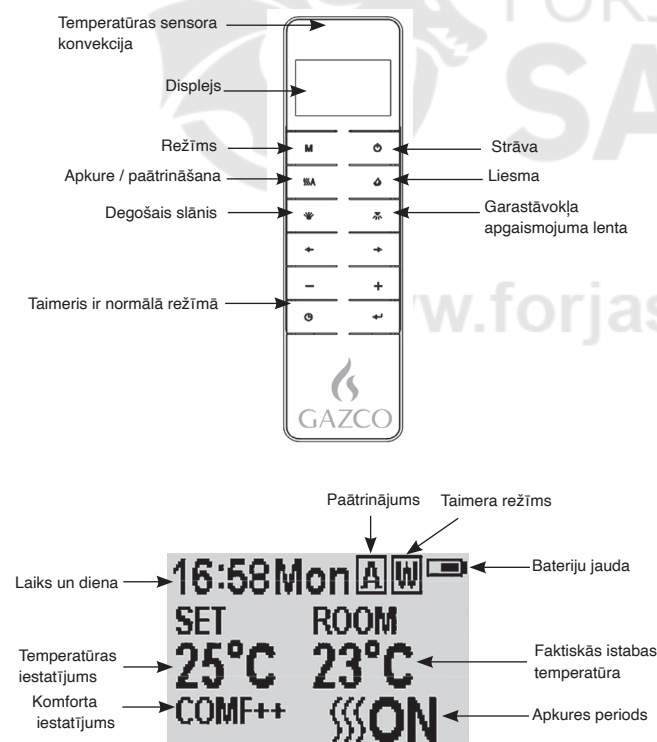
- Spilgtuma palielināšana vai samazināšana.

 **Garastāvokļa apgaismojuma lentas ieslēgšana/izslēgšana.**


- Krāsu opcijas maiņa.
Pieejamas 14 krāsu opcijas.


- Spilgtuma palielināšana vai samazināšana.


IERĪCES EKSPLOATĀCIJA - UZLABOTA EKSPLOATĀCIJA



IESLĒGŠANA/IZSLĒGŠANA

Piespiediet pogu , lai ieslēgtu liesmu efektu.

Piespiediet pogu , lai izslēgtu visas funkcijas normālā apkures vadības režīmā.

Piespiediet pogu , lai izslēgtu liesmu efektu dienas un nedēļas apkures taimera režīmā.

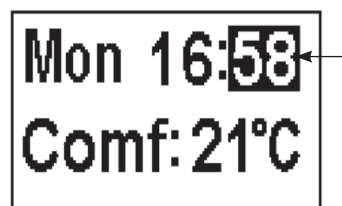
NEDĒĻAS DIENA/ LAIKA/ KOMFORTA TEMPERATŪRA UN VIENĪBU IESTATĪJUMS

Pārliecinieties, ka pulkstenis iestatīts pareizi.

Piespiediet **M** 3 sekundes.

Piespiediet pogu “←” vai “→”, lai atlasītu iestatījumu.


lezmēta atlasītā rakstzīme.



Piespiediet pogu “+” vai “-”, lai noregulētu numuru.

Laiks: 24 stundu sistēma.

Atlasiet komforta temperatūru no 15–25 °C.
Temperatūras vienība: °C/°F.

Piespiediet pogu  3 sekundes vai nogaidiet 10 sekundes, lai saglabātu un izietu no nedēļas, laika vai apkures temperatūras iestatījuma.

IKDIENAS APKURE AR TAIMERI

Ierīcē iepriekš iestatīti turpmāk norādītie apkures periodi, taču, ja nepieciešams, tos var mainīt:

06:00 līdz 08:00

17:00 līdz 22:00

Piespiediet **M**, līdz ekrāna augšējā labās puses stūrī redzams **D**.



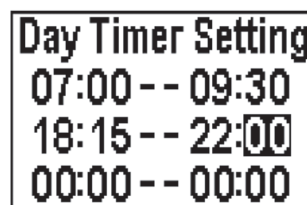
Turiet piespiestu pogu  6 sekundes.


Katrai dienai var iestatīt 3 apkures periodus ar taimeri.

Piespiediet “←” vai “→”, lai izvēlētos stundu vai minūti.

Piespiediet “+” vai “-”, lai iestatītu ciparu.

Piespiežot pogu, minūtes palielinās vai pieaug par 15 minūtēm.



Turiet piespiestu pogu  3 sekundes vai nogaidiet 10 sekundes, lai saglabātu un izietu no apkures laika perioda iestatījuma.

Piespiediet , lai pārbaudītu ikdienas taimera režīmu.

Lai izslēgtu apkuri, atgriezieties Normālā vadības režīmā.

Izslēdzot ierīci ar tālvadību, kad tā ir ikdienas taimera režīmā, izslēgsies apgaismojums. Apkure turpinās darboties saskaņā ar taimera iestatījumiem.

IESTATĪTĀS TEMPERATŪRAS REGULĒŠANA

Piespiediet pogu "+" vai "-", lai palielinātu vai samazinātu temperatūru, pamatojoties uz COMF (komforta) temperatūru.

COMF norāda, ka faktiskā temperatūra saskan ar iestatīto.

ECO norāda, ka faktiskā temperatūra ir par 2 °C zemāka nekā iestatītā temperatūra.

ECO- nozīmē, ka tā ir par 4 °C zemāka.

COMF+ nozīmē, ka tā ir par 2 °C augstāka.

COMF++ nozīmē, ka tā ir par 4 °C augstāka.

ADAPTĪVA IESLĒGŠANAS VADĪBA

Sildītājs automātiski noteiks piemēroto apkures laiku, lai sasniegtu iestatīto temperatūru iestatītajā laikā (līdz 45 minūtēm pirms iestatītā laika).

LIESMAS KRĀSAS REGULĒŠANA

Piespiediet pogu .

Pieejamas 3 liesmas krāsu opcijas.

Pieejami 6 spilgtuma līmeņi, tostarp izslēgta pozīcija.




Piespiediet pogu "←" vai "→", lai aplūkotu liesmas krāsu opcijas.

Piespiediet pogu "+", lai palielinātu liesmas spilgtumu.

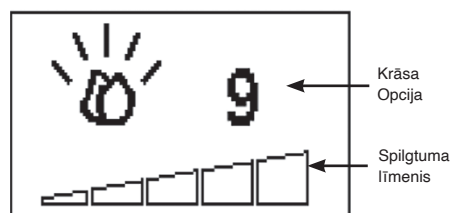
Piespiediet pogu "-", lai samazinātu liesmas spilgtumu, līdz tā izdziest.

DEGOŠĀ SLĀŅA KRĀSAS REGULĒŠANA

Piespiediet , lai atvērtu degošā slāņa gaismas regulēšanas ekrānu.

Pieejamas 14 degošā slāņa krāsu opcijas.

Pieejami 6 spilgtuma līmeņi, tostarp izslēgta pozīcija.




Piespiediet pogu "←" vai "→", lai aplūkotu degošā slāņa krāsu opcijas.

Piespiediet pogu "+", lai palielinātu degošā slāņa spilgtumu.

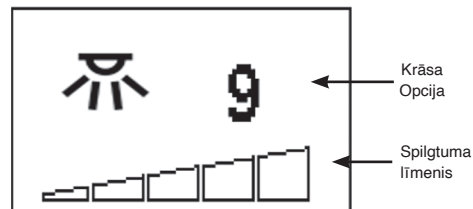
Piespiediet pogu "-", lai samazinātu degošā slāņa spilgtumu, līdz tā izdziest.

GARASTĀVOKĻA APGAISMOJUMA LENTA KRĀSAS REGULĒŠANA

Piespiediet , lai atvērtu aismas regulēšanas ekrānu.

Pieejamas 14 degošā slāņa krāsu opcijas.

Pieejami 6 spilgtuma līmeņi, tostarp izslēgta pozīcija.



Piespiediet pogu "←" vai "→", lai aplūkotu krāsu opcijas.

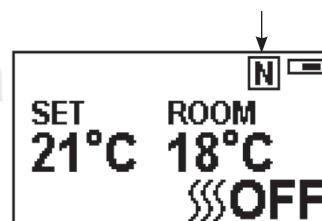
Piespiediet pogu "+", lai palielinātu spilgtumu.

Piespiediet pogu "-", lai samazinātu spilgtumu, līdz tā izdziest.


NORMĀLS VADĪBAS REŽĪMS

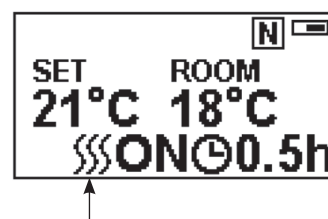
Normāls vadības režīms ir noklusējuma iestatījums.

Piespiediet pogu **M**, līdz parādās logotips **N**



Piespiediet pogu "+" vai "-", lai noregulētu iestatīto temperatūru no 17 °C līdz 25 °C.

Piespiediet pogu  **A**, lai ieslēgtu/izslēgtu apkuri




Piezīme: Sildītājs ar ventilatoru var apstāties uz zināmu laika posmu. Tā ir normāla parādība. Tas notiek, kad istabas temperatūra pārsniedz vadības ierīcē iestatīto temperatūru.

Ja liesma ir ieslēgta, apkures indikators izslēgsies pēc 10 s. Ja tiek izmantota tikai apkures funkcija, apkures indikators paliks ieslēgts.

Izslēdzot ierīci ar tālvadību, kad tā ir normālā vadības režīmā, izslēgsies gan apgaismojums, gan apkure.

LAIKA ATSKAITES TAIMERIS

Šis iestatījums darbojas tikai normālā apkures vadības režīmā. Tas ļauj pēc iestatīta laika posma atgriezt ierīci gaidīšanas režīmā. Lai šo funkciju izmantotu, sildītājam jābūt ieslēgtam.

Piespiediet , lai aplūkotu iestatījumu no pozīcijas Izslēgts un no 0,5 stundām līdz 9 stundām. Ekrānā būs redzams taimera logotips un atlikušais laiks.

Ierīces sildītāju var automātiski darbināt ar dienas taimeri un nedēļas taimeri.

NEDĒĻAS APKURE AR TAIMERI

Ierīcē iepriekš iestatīti turpmāk norādītie apkures periodi, kurus var mainīt, nepieciešams:

no pirmdienas līdz piektdienai
06:00 līdz 08:30
17:00 līdz 22:00


no sestdienas līdz svētdienai
06:30 līdz 09:30
11:00 līdz 13:00
17:00 līdz 22:00

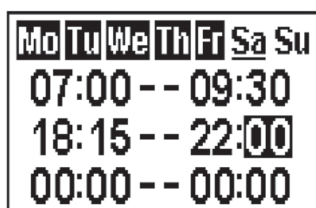
Piespiediet **M** līdz parādās .



Turiet piespiestu pogu  6 sekundes.

Piespiediet “←” vai “→”, lai pārvietotu kursoru (mirgojošo pasvītrojumu).


Piespiediet pogu  attiecīgās nedēļas pozīcijā, lai atlasītu (rakstzīme ir iezīmēta) vai atceltu (rakstzīme ir normāla) pašreizējo iestatījumu; vienu laika periodu var atlasīt kopā.





Piespiediet pogu “→”, lai pārvietotu kursoru uz laika perioda iestatīšanas zonu.

Piespiediet pogu “←” vai “→”, lai izvēlētos stundu vai minūti.

Piespiediet “+” vai “-”, lai iestatītu ciparu. Katrai dienai var iestatīt ne vairāk kā 3 apkures periodus ar taimeri. Piespiežot pogu, minūtes palielinās vai pieaug par 15 minūtēm.

Piespiediet , lai iestatītu apkures laiku atlasītai dienai un atgrieztos nedēļas līnijā.

Turiet piespiestu pogu  3 sekundes vai nogaidiet 10 sekundes, lai saglabātu un izietu no apkures laika perioda iestatījuma.

Piespiediet  “←” vai “→”, lai pārbaudītu taimera iestatījumu nedēļas apkures režīmā ar taimeri.

Lai izslēgtu apkuri, atgriezieties Normālā vadības režīmā.

Izslēdzot ierīci ar tālvadību, kad tā ir nedēļas taimera režīmā, izslēgsies apgaismojums. Apkure turpinās darboties saskaņā ar taimera iestatījumiem.

IESTATĪTĀS TEMPERATŪRAS REGULĒŠANA

Piespiediet pogu “+” vai “-”, lai palielinātu vai samazinātu temperatūru, pamatojoties uz COMF (komforta) temperatūru.

COMF norāda, ka faktiskā temperatūra saskan ar iestatīto.

ECO norāda, ka faktiskā temperatūra ir par 2 °C zemāka nekā iestatītā temperatūra.

ECO- nozīmē, ka tā ir par 4 °C zemāka.

COMF+ nozīmē, ka tā ir par 2 °C augstāka.

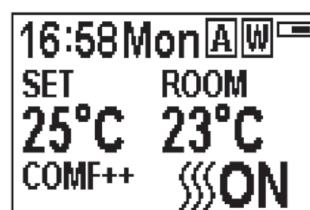
COMF++ nozīmē, ka tā ir par 4 °C augstāka.

ADAPTĪVA IESLĒGŠANAS VADĪBA

Sildītājs automātiski noteiks piemēroto apkures laiku, lai sasniegtu iestatīto temperatūru iestatītajā laikā (līdz 45 minūtēm pirms iestatītā laika).

PAĀTRINĀŠANAS REŽĪMS

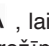
Apkures stāvokli var virzīt uz priekšu līdz nākamajam periodam han ikdienas, gan nedēļas apkure režīmā ar taimeri.

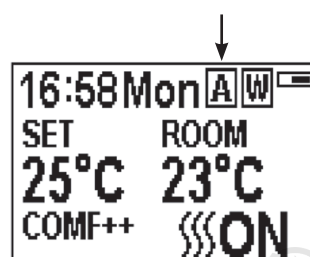


Ja piespiedīsiet pogu, kad sildītājs ieslēgts pašreizējā periodā, tas izslēgsies.

Ja piespiedīsiet pogu, kad sildītājs nav ieslēgts pašreizējā periodā, tas ieslēgsies.

Sildīšanas pakāpe atkarīga no istabas temperatūras un iestatītās temperatūras.

Piespiediet  **A**, lai atvērtu paātrināšanas režīmu ikdienas un nedēļas apkures režīmā ar taimeri.



Piespiediet **[[[[A** atkārtoti, vai taimera periods beigsies un ierīce izslēgs paātrināšanas režīmu.

ATVĒRTA LOGA NOTEIKŠANA

Kad raidītājs nosaka strauju temperatūras pazemināšanos telpā, tas tiks uzskatīts par atvērtu logu — parādīsies brīdinājuma ikona un apkure automātiski izslēgsies.



Kad temperatūra istabā atgriezīsies pie normālas vai pēc manuālas iejaukšanās (tālvadības pults vadības), ierīce atgriezīsies normālā darba stāvoklī.

IERĪCES EKSPLUATĀCIJA - TRAUCĒJUMMEKLĒŠANA

BATERIJA

Baterijas uzlādes līmenis norādīts tālvadības pults ekrāna augšējā stūrī pa labi.

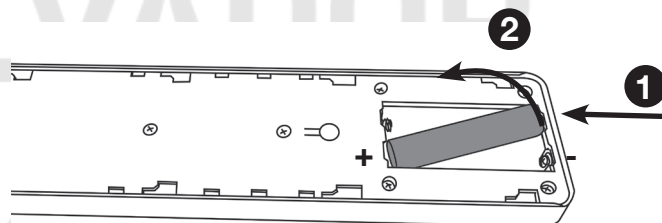
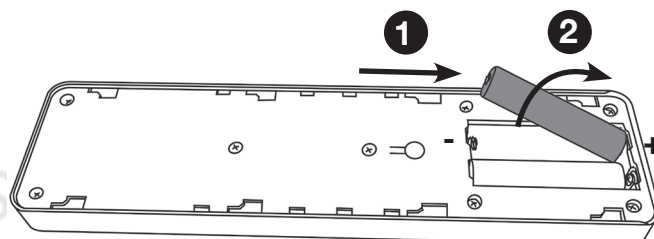
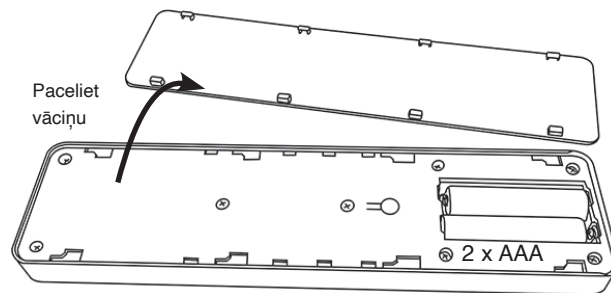
	Baterija uzlādēta	Nekas nav jādara
	Baterija uzlādēta līdz pusei	Gādājiet, lai būtu pieejamas jaunas baterijas.
	Baterija tukša	Nekavējoties nomainiet baterijas

i **PIEZĪME.** Tālvadības pults aprīkota ar bateriju statusa indikatoru (augšējā stūrī pa labi). Ja LED ekrāns ilgstoši būs tukšs, tas pārstās darboties, lai gan pults joprojām varēs nosūtīt komandas. Lai atjaunotu displeja darbību, nomainiet baterijas.

BATERIJU NOMAĪŅA

Izlādējušās baterijas jāizņem no ierīces un tās nepieciešams droši utilizēt.

Pabīdīdēt vāciņu



Tālvadības pults baterijām jābūt jaunām un pareizi ievietotām.

Atbrīvojieties no vecām baterijām piemērotā otrreizējās pārstrādes centrā.

Baterijas ieteicams mainīt pēc 1 gada. Tālvadības pultij nepieciešamas divas 1,5 V sārnu AAA baterijas.

Baterijas jāievieto, ievērojot pareizo polaritāti. Neveidojiet bateriju spailēs īssavienojumu.

Necentieties uzlādēt neuzlādējamas baterijas.

Pirms uzlādēšanas izņemiet uzlādējamas baterijas.

Nejauciet vecas un jaunas baterijas.

Ja ierīci ilgstoši nelietojat, izņemiet baterijas.

Bateriju maiņa neietekmēs taimera režīma iestatījumus. Pārliedzieties, ka pulkstenis iestatīts pareizi.

i **PIEZĪME.** Lai izmantotu gan tālvadības, gan manuālas funkcijas, manuālās ieslēgšanas/izslēgšanas slēdzim jābūt **IESLĒGTA** pozīcijā. Lai ierīce nepārkarstu, ieslēdzot sildītāju, rodas 10 s aizkave, kā arī 10 s aizkave, izslēdzot sildītāja ventilatoru.

Manuālās pogas pārvalda pamata funkcijas, tās nenodrošina pilnu pārvaldību. Lai izmantotu visas funkcijas, lietojiet tālvadības pulti.

SILDĪTĀJA DARBĪBAS INDIKATORI

Kad sildītāju ar ventilatoru izmanto kopā ar liesmas vai degošā slāņa efektu, pēc 10 sekundēm iedegsies sildītāja darbības indikatori.

Ja ieslēgts liesmas vai degošā slāņa efekts, LED izgaismosies 10 sekundes.

Sildītāja darbības indikatori turpinās degt, ja sildītāju ar ventilatoru izmanto neatkarīgi.

TĀLVADĪBAS PULTS ATIESTATĪŠANAS POGA

Skatiet Apkopes sadaļu, ja tālvadības pults zaudē signālu vai to nepieciešams nomainīt.

SIGNĀLA KODS

Tālvadības pults raidītājs ir konfigurēts rūpnīcā ar unikālu signāla kodu.

SVARĪGI: Skatiet Apkopes sadaļu, ja tālvadības pults zaudē signālu vai to nepieciešams nomainīt.

APKOPE

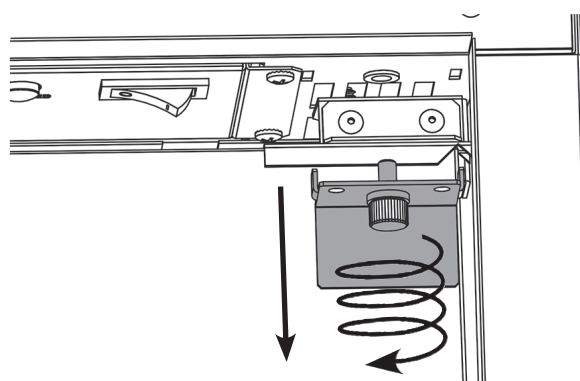
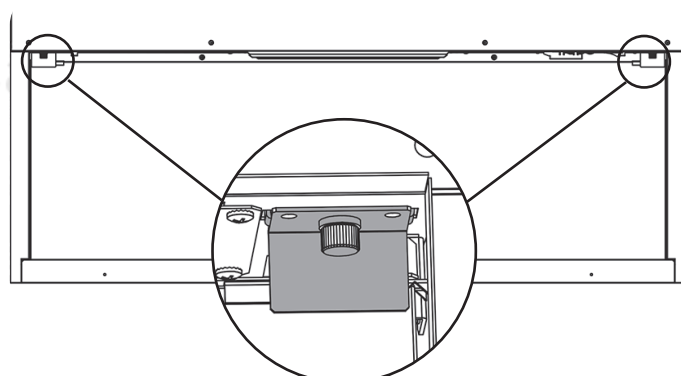
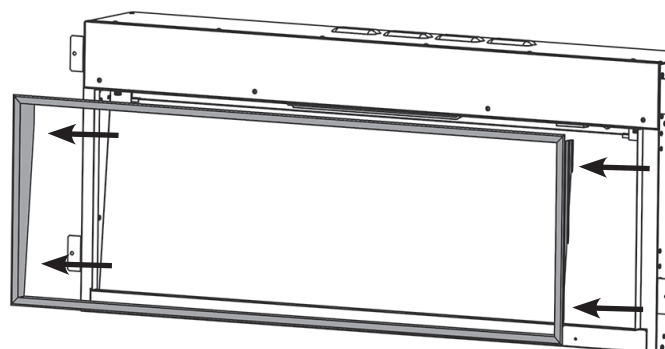
PIRMS IERĪCES TĪRĪŠANAS, TĀ NOTEIKTI JĀIZSLĒDZ.

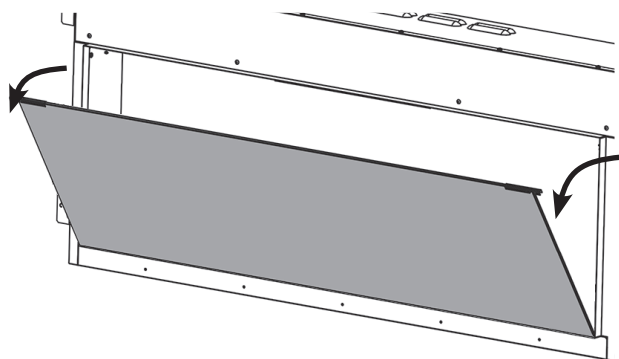
STIKLA TĪRĪŠANA

Noslaukiet skata paneļa stiklu ar mitru drānu un nopolējiet ar bezplūksnu putekļu lupatu.

Brīdinājums. Tīrot stikla paneli, neizmantojiet abrazīvus tīrītājus. Nesmidziniet šķidrumu uz kādu no ierīces virsmām.

DEGVIELAS EFEKTA ELEMENTA TĪRĪŠANA





Izņemiet un nomazgājiet degvielas efekta elementu, lai likvidētu visas putekļu daļiņas.

Alternatīvi tīriet to ar bezplūksnu putekļu lupatu.

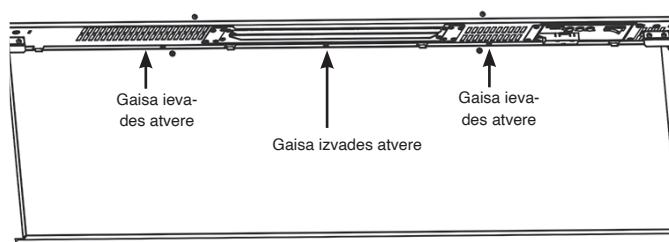
Pirms uzstādāt to atpakaļ, elementam jābūt sausam.

Degvielas efekta elementa nomaiņa, izkārtojumu skatīt Uzstādīšanas instrukcijas, 5. sadaļu.

Nomainiet pretējā secībā.

GAISA IEPLŪDES ATVERES

Regulāri tīriet gaisa ieplūdes un izplūdes režģus ar mīkstu drānu vai putekļu sūcēja uzgali.



Putekļu uzkrāšanās var neļaut ventilatoram darboties efektīvi un tā rezultātā aktivizēt drošības izslēgšanos.

Uzturiet zonu ap ierīci tīru un bez pūkām, putekļiem vai mājdzīvnieku spalvām.

Īpaša putekļu uzkrāšanās iespējama sildītāja zonā. Regulāri gādājiet, lai šajā zonā šādu daļiņu nebūtu, tādējādi novēršot to uzkrāšanos.

UZSTĀDĪŠANA

VISPĀRĪGA INFORMĀCIJA

NEPIECIEŠAMIE INSTRUMENTI

Būs nepieciešams skrūvgriezis, līmeņrādis, zāģis un urbis.

KAMĪNA IZSAIŅOŠANA

BRĪDINĀJUMS! NELIETOJIET šo ierīci, ja kāda tā daļa pakļauta ūdens ietekmei.

Nekavējoties izsauciet kvalificētu meistaru, lai aplūkotu un nomainītu visas nepieciešamās elektroiekārtas detaļas.

Uzmanīgi atveriet iepakojumu un izņemiet polistirolu. Noņemiet un utilizējiet polietilēna maisu. Glabājiet ietinamo polietilēnu bērniem nepieejamās vietās. Rīkojoties ar iepakojšanas materiāliem atbildīgi.

Pirms atbrīvojaties no iepakojuma, pārliecinieties, ka izņemtas visas detaļas un papildpiederumi. Ja nepieciešams, saglabājiet oriģinālo iepakojumu transportēšanai nākotnē un/vai glabāšanas vajadzībām.

Pirms ierīces uzstādīšanas pārbaudiet to.

IERĪCES UZSTĀDĪŠANA

IERĪCES ESTUDIO ATRAŠANĀS VIETA

Jūsu jauno ierīci eStudio var uzstādīt gandrīz jebkurā vietā mājās. Tomēr, izvēloties piemērotu vietu, ievērojiet vispārīgos norādījumus.

Lai rezultāts būtu labāks, neuzstādiet to vietā, kuru apspīd tieši saules stari.

Sildītāju vēlams uzstādīt uz iekšējas plakanas sienas, kuras celtniecībā izmantota statņu konstrukcija vai apmetuma plākšņu bloki. Komplektācijā iekļautie stiprinājumi paredzēti TIKAI ķieģeļu sienām. Uzstādot ierīci uz tukšsienu instalācijas vai specializēta dobuma, noteikti jāizmanto piemēroti stiprinājumi.

PIEZĪME. Šī ierīce nav paredzēta uzstādīšanai uz dobas sienas, kas iziet uz āra sienu, pie atvērta skursteņa vai kādas citas atveres, kur iespējams mitrums un caurvējš, izņemot, ja tiek veikti atbilstoši piesardzības pasākumi, lai ierīce nesaskartos ar mitrumu vai pārmērīgiem caurvējiem. Veicot uzstādīšanu šādās vietās, esošo skursteņu un/vai speciāli izveidotās gaisa atveres nepieciešams pilnībā nosegt.

Gādājiet, lai aiz zonām, kur nepieciešams urbt vai griezt, nebūtu cauruļu vai kabeļu.

Uzstādot ierīci virs grīdas līmeņa, vienmēr gādājiet, lai tā būtu piemēroti atbalstīta un atrastos uz cietas struktūras.

Ideālā gadījumā ierīcei jāatrodas tuvu piemērotai kontaktligzdai, lai to varētu pievienot elektrotīklam. No esošās kontaktligzdas iespējamas veikt savienojumu ar pagarinātāju, taču tas jā dara atbilstoši kvalificētam inženieris elektriķim. Kontaktligzdai jābūt ērti pieejamai, lai pēc ierīces uzstādīšanas to varētu atvienot.

Ja elektrības vads ir bojāts, tās remonts jāuztic ražotājam, tā pilnvarotam servisa centram vai speciālistam.

Izvēlētās vietas tuvumā nedrīkst atrasties aizkari vai mēbeles, jo tas var radīt aizdegšanās risku vai bloķēt sildītāja gaisa izvades atveres.

BRĪDINĀJUMS! VISIEM UZLIESMOJOŠIEM MATERIĀLIEM JĀATRODAS VISMĀZ 1 M ATTĀLUMĀ NO ELEKTRISKĀ KAMĪNA.

APKOPES PRASĪBAS



LAI PIEKĻŪTU DAŽĀM DETAĻĀM UN IZŅEMTU TĀS, ŠĪS IERĪCES APKOPES LAIKĀ VAR BŪT NEPIECIEŠAMS NOGRIEZT VADU SAVIENOJUMUS SAMONTĒJOT IERĪCI, TOS NEPIECIEŠAMS ATKAL SAVIENOT.

ŠĪS IERĪCES APKOPI DRĪKST VEIKT TIKAI ATBILSTOŠI KVALIFICĒTA PERSONA. PIRMS SĀKAT DARBU PIE IERĪCES: IZSLĒDZIET IERĪCI UN IZOLĒJIET BAROŠANAS AVOTU, LAI IERĪCEI NEPIENĀKTU JAUDA.

Nogaidiet vismaz 10 minūtes, līdz ierīce ir atdzisusi.

Tālvadības pults bateriju nomainīšana

Nomainiet ar 2 AAA baterijām. Baterijas tālvadības pultī jāuzstāda pareizi.



PIEZĪME. Tālvadības pults aprīkota ar bateriju statusa indikatoru (augšējā stūrī pa labi). Ja LED ekrāns ilgstoši būs tukšs, tas pārstās darboties, lai gan pults joprojām varēs nosūtīt komandas. Lai atjaunotu displeja darbību, nomainiet baterijas.

Motoru apkope

Liesmu efekta vajadzībām uzstādītais motors ir iepriekš ieeļļots, lai tā gultni darbotos ilgāk, un to ieeļļot vairs nav nepieciešams. Tomēr sildīšanas bloku ieteicams periodiski tīrīt/ tīrīt ar putekļu sūcēju.

Termoslēdža atiestatīšana

Ierīce aprīkota ar elektronisko drošības vadību (EDV). Tā ir drošības ierīce, kas atslēdz kamīnu, ja ierīce kāda iemesla dēļ (piemēram, tā ir nosepta) pārkarst.

Ja sildītājs pārstāj darboties, taču liesmas darbojas normāli, tas norāda, ka aktivizēta elektroniskā drošības vadība. EDV var atiestatīt tikai tad, kad ierīce ir atdzisusi.

EDV atiestatīšanai:

izslēdziet ierīci (manuālās ieslēgšanas/izslēgšanas slēdzis) un atstājiet izslēgtu aptuveni 120 minūtes.

Noņemiet visu, kas var bloķēt sildītāju ar ventilatoru vai citas iekšējās detaļas.

Ieslēdziet ierīci, un EDV atiestatīsies. Pārliecinieties, ka ierīce darbojas pareizi. Ja EDV atkal aktivizējas, ierīci vajadzētu pārbaudīt kompetentam elektriķim.

ВАЖНО

РЕШЕТКА НА ВЫПУСКНОМ ОТВЕРСТИИ ЭЛЕКТРОПРИБОРА ОЧЕНЬ СИЛЬНО НАГРЕВАЕТСЯ ВО ВРЕМЯ РАБОТЫ. НЕ ЗАКРЫВАЙТЕ НИЧЕМ РЕШЕТКУ ИЛИ КАКУЮ-ЛИБО ДРУГУЮ ЧАСТЬ ЭЛЕКТРОПРИБОРА. ПРОИЗВОДИТЕЛЬ КЛАССИФИЦИРУЕТ ЧАСТИ НАРУЖНОГО КОРПУСА ДАННОГО ПРИБОРА КАК РАБОЧУЮ ПОВЕРХНОСТЬ КИТО КОТА КОТА КОТА КОТА КОТА ПОЭТОМУ В ПРИСУТСТВИИ МАЛЕНЬКИХ ДЕТЕЙ, ПРЕСТАРЕЛЫХ ИЛИ НЕМОЩНЫХ ЛЮДЕЙ РЕКОМЕНДУЕТСЯ ИСПОЛЬЗОВАТЬ ЭТОТ ПРИБОР ТОЛЬКО В НАЛИЧИИ ВЗРОСЛОГО ЧЕЛОВЕКА.

Работа только от электросети с напряжением 230В при частоте 50 Гц.

Внимательно прочитайте инструкцию перед установкой и сохраните ее для дальнейшего использования.

Инструкция понадобится для обслуживания и при обращении в сервисный центр.

ЭЛЕКТРОПРИБОР ДОЛЖЕН БЫТЬ ЗАЗЕМЛЕН

ИЗДЕЛИЕ ПРЕДНАЗНАЧЕНО ТОЛЬКО ДЛЯ ПОМЕЩЕНИЙ С ХОРОШЕЙ ТЕРМОИЗОЛЯЦИЕЙ И ДЛЯ НЕПОСТОЯННОГО ИСПОЛЬЗОВАНИЯ.

МЕРЫ ПРЕДОСТОРОЖНОСТИ. ВАЖНО!

Внимательно прочитайте инструкцию полностью до начала эксплуатации прибора.

Снимите всю упаковку и отдайте ее в пункт утилизации для переработки.

Нельзя размещать электроприбор непосредственно под стационарной штепсельной розеткой.

Детали внешнего корпуса прибора считаются его рабочей поверхностью, которая становится горячей, когда он включен.

Для защиты детей, пожилых людей и лиц с ограниченными возможностями необходимо использовать подходящий каминный экран.

Нельзя использовать прибор в непосредственной близости от ванны, душа, плавательного бассейна, и в любом другом месте, где на него может подействовать вода или влажность, к примеру, в ванной комнате.

**ПРЕДУПРЕЖДЕНИЕ! НЕ ЗАКРЫВАТЬ**

Не допускается накрывание самого прибора или перекрытие воздуховодных отверстий из-за его возможного перегрева. Обратите внимание на обозначение на электроприборе (см. выше).

Только для использования в помещении. Электроприбор нельзя использовать на улице.

Электроприбор должен быть надежно зафиксирован или встроен в ровную внутреннюю стену. Проверьте, чтобы мебель, занавески и т.д. находились от него на расстоянии не ближе 1м.

При прохождении электропровода через кирпичную стену, каменное обрамление и т.д., необходимо установить в местах возможного износа подходящие резиновые втулки. Если прибор устанавливается как открытый камин, то необходимо установить в трубе заглушку, чтобы снизить риск обратной тяги. Иначе это может привести к срабатыванию термopредохранителя.

Питающий провод должен находиться вдали от горячих поверхностей и нагретых мест. Не кладите его перед электроприбором.

После установки электроприбора должен сохраняться доступ к его штепсельной вилке.

Если электропровод поврежден, не пользуйтесь прибором до тех пор, пока не замените электропровод. Из соображений безопасности, замена должна проводиться авторизованным специалистом той компании Gazco или квалифицированным электриком.

ОСТОРОЖНО: Во избежание случайного срабатывания термopредохранителя, прибор нельзя подключать к устройству с внешним выключателем, таким как таймер, и к цепи, регулярно отключаемой коммунальными службами.

Не пользуйтесь прибором, если он поврежден.

Ремонт электроприбора должен проводить только электрик. Если устройство не работает, или в случае его повреждения, обращайтесь к продавцу, у которого вы приобрели его.

Прибор могут использовать дети старше 8 лет и лица с ограниченными физическими, сенсорными и умственными способностями, или не обладающие достаточным опытом и знаниями, при условии наблюдения и объяснения правил безопасности, а также понимания ими сопутствующих рисков. Дети до 3 лет не должны допускаться к прибору без непрерывного наблюдения за ними.

Дети в возрасте от 3 до 8 лет могут только включать и выключать прибор, при условии, что он установлен в своем нормальном рабочем положении, а они находятся под присмотром, и им разъяснены правила безопасности и возможные сопутствующие риски. Дети 3-8 лет не должны вставлять штепсель прибора в розетку, регулировать работу устройства, чистить его или проводить обслуживание.

Осторожно: Некоторые детали этого прибора очень сильно нагреваются, и это может привести к ожогам. Особенно внимательно нужно следить за прибором в присутствии детей и лиц, нуждающихся в присмотре.

При этом Gazco рекомендует:

Данный прибор не предназначен для использования лицами в возрасте до 12 лет, лицами с ограниченными физическими, сенсорными или умственными способностями или лицами, не имеющими знаний или опыта безопасного обращения с этим прибором.

Эксплуатировать данный прибор могут лица в возрасте от 12 лет при условии, что они ознакомились с правилами безопасной эксплуатации и понимают опасности, связанные с его использованием. Лица в возрасте от 12 лет также могут эксплуатировать данный прибор под присмотром ответственного взрослого.

Во время работы части прибора сильно нагреваются, и потому ни в коем случае нельзя оставлять детей в возрасте до 12 лет без присмотра рядом с включенным прибором, если только не была установлена подходящая защитная решетка, предотвращающая прямой контакт с прибором. Не разрешайте детям играть с прибором.

Не разрешайте детям чистить и обслуживать прибор без присмотра взрослых.

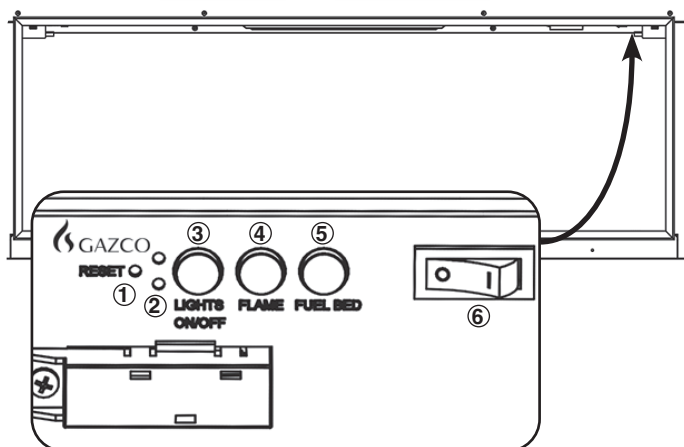
ИНСТРУКЦИЯ ПО ЭКСПЛУАТАЦИИ



ПРЕДУПРЕЖДЕНИЕ! Не пользуйтесь прибором, если он поврежден или работает неправильно. При подозрении на повреждение или перебои в работе, обратитесь к квалифицированному сервисному инженеру для проверки прибора и замены необходимых частей до возобновления использования.

Не отсоединяйте прибор от сети электропитания во время работы. Воспользуйтесь функцией отключения на устройстве дистанционного управления и перед отсоединением убедитесь, что переключатель питания находится в выключенном положении.

ПАНЕЛЬ РУЧНОГО УПРАВЛЕНИЯ



1. Кнопка сброса для пульта дистанционного управления
2. Индикаторы работы обогревателя
3. Включение/выключение всех ламп
4. Кнопка настроек пламени
5. Кнопка настроек очага топки
6. Включение/выключение питания

ЭКСПЛУАТАЦИЯ ПРИБОРА

Нажать 6, чтобы **включить или выключить прибор**.

Нажать 3, чтобы **включить/выключить пламя и очаг топки** одновременно.

Нажать 4, чтобы выбрать цвет пламени или вернуться в положение «Выключено».

Есть три варианта цвета пламени.

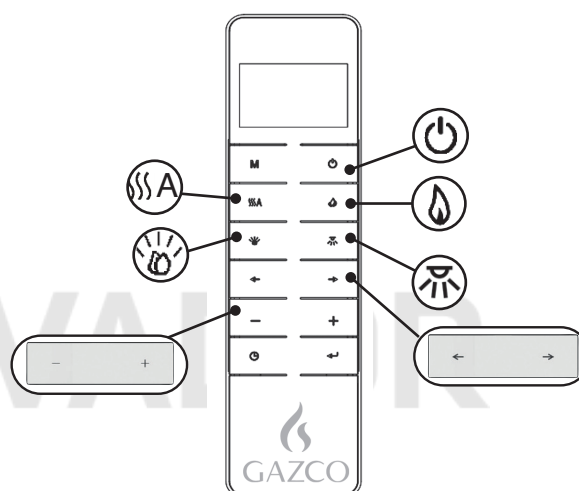
Нажать 5, чтобы выбрать цвет очага топки или вернуться в положение «Выключено».

Есть четырнадцать вариантов цвета очага топки.

Примечание: сохраненные в памяти прибора настройки огня пропадают при переведении переключателя в положение "выключено" или при разрядке устройства дистанционного управления.

ДИСТАНЦИОННОЕ УПРАВЛЕНИЕ

Устройство дистанционного управления должно находиться на ровной поверхности в помещении, где установлен прибор, вдали от прямых потоков горячего воздуха.



– Включение/выключение питания

– Обогреватель

– Пламя

– Очаг топки

– Декоративная подсветка

– Варианты цвета

– Уровни

ЭКСПЛУАТАЦИЯ ПРИБОРА
– КРАТКОЕ РУКОВОДСТВО

Включение/выключение прибора
При включении прибора активируются последние сохраненные в памяти настройки.

Включение/выключение обогревателя.

– Регулирование мощности обогрева.

Включение/выключение эффекта пламени.

– Изменение цвета.
Есть три варианта цвета пламени:

– Регулирование яркости.

**Включение/выключение эффекта топлива.**

← → – Изменение цвета.
Есть четырнадцать вариантов цвета очага

топки:

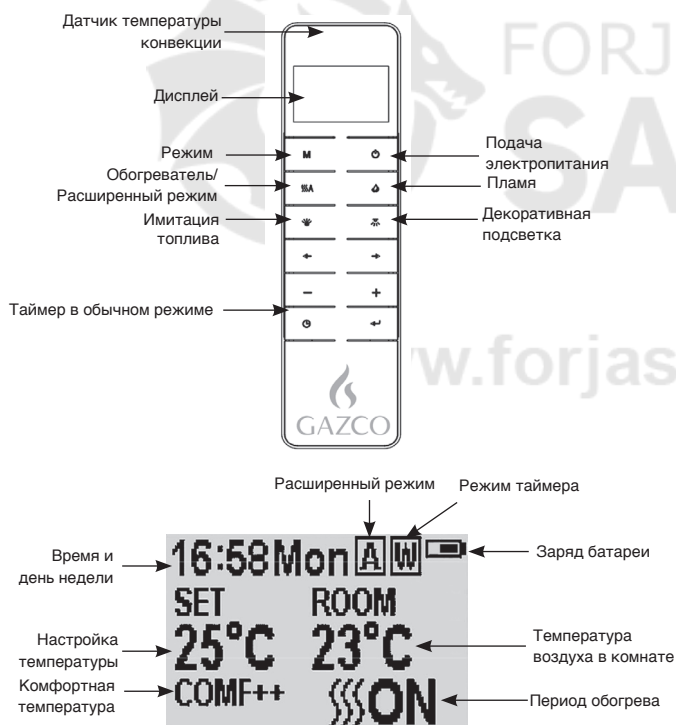
- + – Регулирование яркости.

**Включение/выключение декоративной подсветки.**

← → – Изменение цвета.
Есть четырнадцать вариантов цвета:

- + – Регулирование яркости.

УПРАВЛЕНИЕ ПРИБОРОМ – РАСШИРЕННОЕ УПРАВЛЕНИЕ

**НАСТРОЙКИ ДНЕЙ НЕДЕЛИ/ ВРЕМЕНИ/ КОМФОРТНОЙ ТЕМПЕРАТУРЫ И ПРИБОРА**

При включении рекомендуется правильно настроить время на часах для точной работы прибора.

Держите кнопку **M** жатой 3 секунды для входа в меню настроек.

Нажимайте на кнопки '←' или '→' для изменения настроек.

Выбираемые цифры будут подсвечиваться, см. схему.



Нажимайте на кнопки '+' или '-' для настройки значений.

Время: 24-часовая система.
Выбор комфортной температуры от 15 до 25°C.
Единицы измерения температуры: °C/°F.

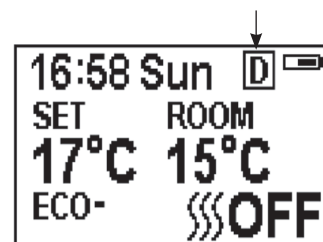
Нажимайте на кнопку ← 3 секунды или подождите 10 секунд для сохранения и выхода из настроек дня недели, времени и температуры обогрева.

ТАЙМЕР ЕЖЕДНЕВНОГО ОТОПЛЕНИЯ

Предварительно установлены следующие периоды отопления, по желанию их можно изменить:

с 06:00 до 08:00
с 17:00 до 22:00

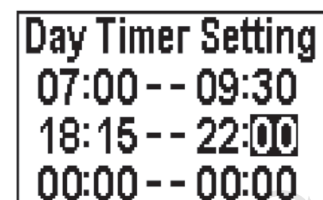
Нажимайте на кнопку **M** до появления **D** в правом верхнем углу экрана, для входа в режим таймера ежедневного отопления.



Удерживайте нажатой 6 секунд кнопку ← для входа в настройки ежедневного отопления. Для одного дня можно настроить, максимум, 3 периода отопления по времени.

Нажимайте на '←' или '→' для выбора часов или минут.


Нажимайте на '+' или '-', чтобы установить значение. Увеличение/ уменьшение за одно нажатие составляет 15 минут.


**Включение/ выключение**

Нажмите на кнопку для включения имитации пламени.

Нажмите на кнопку для отключения всех функций в обычном режиме управления, в том числе, имитации пламени и воздушного обогревателя.

Нажмите на кнопку для отключения имитации пламени в режимах отопления каждый день и по дням недели.

Удерживайте нажатой 3 секунды кнопку  для сохранения и выхода из настройки периода отопления.

Проверьте настройки таймера. Нажмите на кнопку  для проверки режима ежедневного отопления по таймеру.

Для выключения отопления необходимо вернуться к обычному режиму управления.

При дистанционном выключении в режиме ежедневного отопления по таймеру эффект огня пропадает, а обогрев продолжается, согласно настройкам таймера.

РЕГУЛИРОВКА ЗАДАННОЙ ТЕМПЕРАТУРЫ

Нажимайте на кнопки '+' или '-' для повышения или понижения температуры, в зависимости от комфортной температуры.

COMF означает, что фактическая температура равна заданной.

ECO означает, что фактическая температура на 2°C ниже заданной температуры.

ECO- означает понижение на 4°C.

COMF+ означает повышение на 2°C.

COMF++ означает повышение на 4°C.

АДАПТИВНОЕ УПРАВЛЕНИЕ ПУСКОМ

С учетом температуры в помещении и заданного значения, прибор автоматически определяет подходящее время обогрева для достижения заданной температуры к заданному времени (максимальный интервал перед заданным временем - 45 минут).

РЕГУЛИРОВКА ЦВЕТА ПЛАМЕНИ

Нажимайте на кнопку  для входа в меню настроек пламени.

Существует 3 опции цвета пламени, обозначаемые цифрами, показанными на схеме.

Существует 6 уровней яркости, включая нулевой. Они показаны на шкале, где пустота соответствует нулевой яркости, см. схему.



Нажимайте на кнопки '<' или '>' для переключения опций цвета пламени.

Нажмите на кнопку '+' для увеличения яркости пламени.

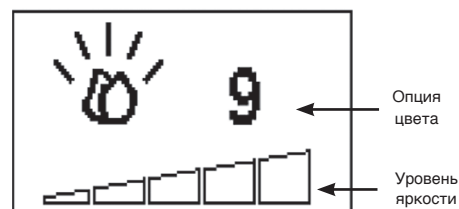
Нажмите на кнопку '-' для уменьшения яркости пламени до нулевой.

РЕГУЛИРОВКА ЦВЕТА ИМИТАЦИИ ТОПЛИВА

Нажмите на кнопку  для входа в меню настроек топливного слоя.

Существует 14 опций цвета имитации топлива, обозначаемых показанными цифрами.

Существует 6 уровней яркости, включая нулевой. Они показаны на шкале, где пустота соответствует нулевой яркости, см. схему.




Нажимайте на кнопку '<' или '>' для переключения между цветовыми опциями имитации топлива.

Нажатие кнопки '+' увеличивает яркость имитации топлива.

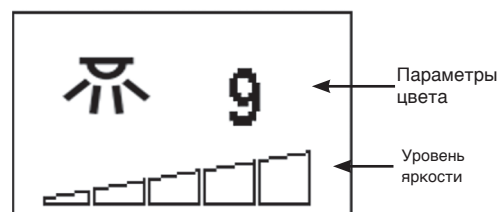
Нажатие кнопки '-' уменьшает яркость до нулевого уровня.

РЕГУЛИРОВКА ДЕКОРАТИВНОЙ ПОДСВЕТКИ

Чтобы перейти к экрану цвета очага топки, нажмите кнопку .

Есть 14 вариантов цвета.

На выбор предоставляются 6 уровней яркости, в том числе выключенное состояние.



Чтобы просмотреть варианты цвета очага, нажимайте кнопку '<' или '>'.

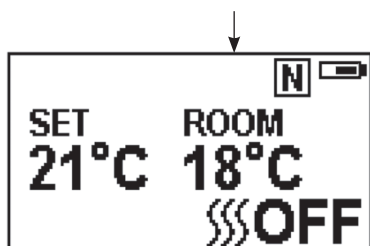
Чтобы увеличить яркость очага, нажимайте кнопку '+'.

Чтобы уменьшить яркость очага, нажимайте кнопку '<->'.

ОБЫЧНЫЙ РЕЖИМ УПРАВЛЕНИЯ

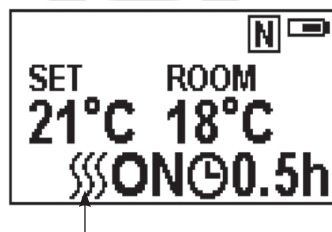
Обычный режим управления настроен по умолчанию. Инструкция по эксплуатации проверки режима ежедневного отопления по таймеру.

Или же нажимайте на кнопку **M** пока обозначение **[N]** не появится в верхнем правом углу экрана, см. схему.



Нажимайте на кнопку '+' или '-' для изменения настройки температуры от 17°C до 25°C.

При нажатии на кнопку **[[[[A]]]** для включения/выключения тепла появятся обозначения. **[[[[ON]]]** или **[[[[OFF]]]** в нижнем правом углу экрана, см. схему.



Примечание: для воздушного обогревателя нормально отключаться время от времени. Это происходит, если температура в комнате выше заданной.

Индикатор отопления погаснет через 10 секунд, если пламя включено. Индикатор отопления останется включенным, если используется функция обогрева.

При дистанционном отключении в обычном режиме управления завершится и отопление, и эффект огня.

ТАЙМЕР ОБРАТНОГО ОТСЧЕТА

Данная настройка есть только в в обычном режиме управления. Она позволяет прибору вернуться в режим ожидания по завершении заданного периода времени. Для использования этой функции необходимо включить обогреватель.

Нажимайте на кнопку **[C]** to cycle through the setting from Off and 0.5 hours to 9 hours. На экране появится обозначение таймера и оставшееся время.

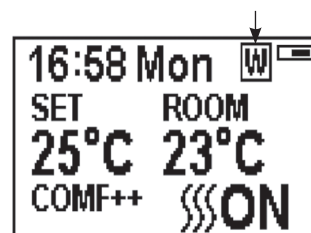
Обогреватель может автоматически включаться дистанционно с помощью ежедневного и еженедельного таймера..

ОТОПЛЕНИЕ ПО ДНЯМ НЕДЕЛИ ПО ТАЙМЕРУ

Изначально установлены следующие периоды отопления, при желании их можно изменить:

С понедельника по пятницу
с 06:00 до 08:30
с 17:00 до 22:00
С субботы по воскресенье
с 06:30 до 09:30
с 11:00 до 13:00
с 17:00 до 22:00

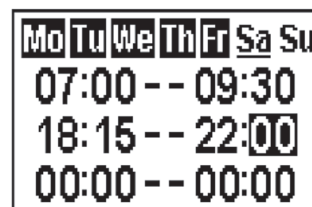
Нажимайте на кнопку **M** до появления обозначения **[W]** в верхнем правом углу экрана для входа в режим отопления по дням недели.



Удерживайте нажатой кнопку **[←]** 6 секунд для входа в настройки режима таймера отопления по дням недели.

Нажимайте на кнопки '**←**' или '**→**' для передвижения курсора (мигающее подчеркивание).

Нажмите на кнопку **[←]** на соответствующем дне недели для выбора (значение подсвечено) или отмены (значение отображается, как обычно) текущей настройки, при этом может быть выбран такой же период времени.



Нажимайте на кнопку '**→**' для передвижения курсора к области настроек периода времени.

Нажимайте на кнопку '**←**' или '**→**' для выбора часов или минут.

Нажмите на '+' или '-', чтобы задать цифровое значение. В день можно задать, максимум, 3 периода отопления. Минимальное увеличение/уменьшение за нажатие - 15 минут.

Нажмите на кнопку **[←]** чтобы задать время отопления для выбранного дня и вернуться к дням недели.

Удерживайте нажатой кнопку **[←]** 3 секунды или подождите 10 секунд, для сохранения и выхода из настроек периода отопления.

Нажмите на кнопки **[←]** '**←**' или '**→**' для проверки настроек таймера режима отопления по дням недели по таймеру.

Нажмите на кнопку "Обогреватель/Расширенный режим" для перехода к нерабочему циклу.

При дистанционном отключении в режиме еженедельного таймера эффект огня завершится. Отопление продолжится в соответствии с настройками таймера.

РЕГУЛИРОВКА ЗАДАННОЙ ТЕМПЕРАТУРЫ

Нажимайте на кнопки '+' или '-' для повышения или понижения температуры, в зависимости от комфортной температуры.

COMF означает, что фактическая температура равна заданной.

ECO означает, что фактическая температура на 2°C ниже заданной температуры.

ECO- означает понижение на 4°C.

COMF+ означает повышение на 2°C.

COMF++ означает повышение на 4°C.

АДАПТИВНОЕ УПРАВЛЕНИЕ ПУСКОМ

С учетом температуры в помещении и заданного значения, прибор автоматически определяет подходящее время обогрева для достижения заданной температуры к заданному времени (максимальный интервал перед заданным временем - 45 минут).

РАСШИРЕННЫЙ РЕЖИМ

Состояние обогрева можно расширить до следующего периода, как в ежедневном, так и в еженедельном режиме.

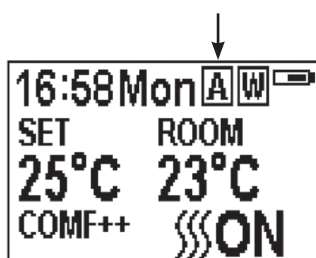


Если обогреватель включен в текущем периоде, нажатие на эту кнопку выключит его.

Если обогреватель выключен в текущем периоде, нажатие на эту кнопку включит его.

Включение/ выключение фактического отопления также зависит от температуры в помещении и заданной температуры.

Нажмите на кнопку **[[[A** для входа в расширенный режим при ежедневном и еженедельном отоплении по таймеру..



Нажмите на кнопку **[[[A** еще раз, или по окончании периода а таймера произойдет выход из расширенного режима.

ОБНАРУЖЕНИЕ ОТКРЫТОГО ОКНА

Когда передатчик обнаруживает резкое снижение температуры в помещении, это расценивается как открытие окна: на экране появляется предупреждение, а обогрев автоматически отключается.



После повышения температуры в помещении или ручного вмешательства (с помощью устройства дистанционного управления) он возвращается в обычное рабочее состояние.

ЭКСПЛУАТАЦИЯ ПРИБОРА – УСТРАНЕНИЕ НЕИСПРАВНОСТЕЙ

БАТАРЕЯ

Уровень заряда батареи отображается в верхнем правом углу на экране пульта дистанционного управления.

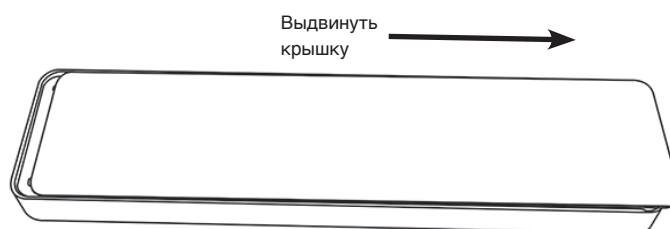
	Батарея заряжена полностью	Никаких действий не требуется
	Батарея заряжена наполовину	Обеспечить наличие новых батареек.
	Батарея разряжена	Немедленно заменить батарейки.

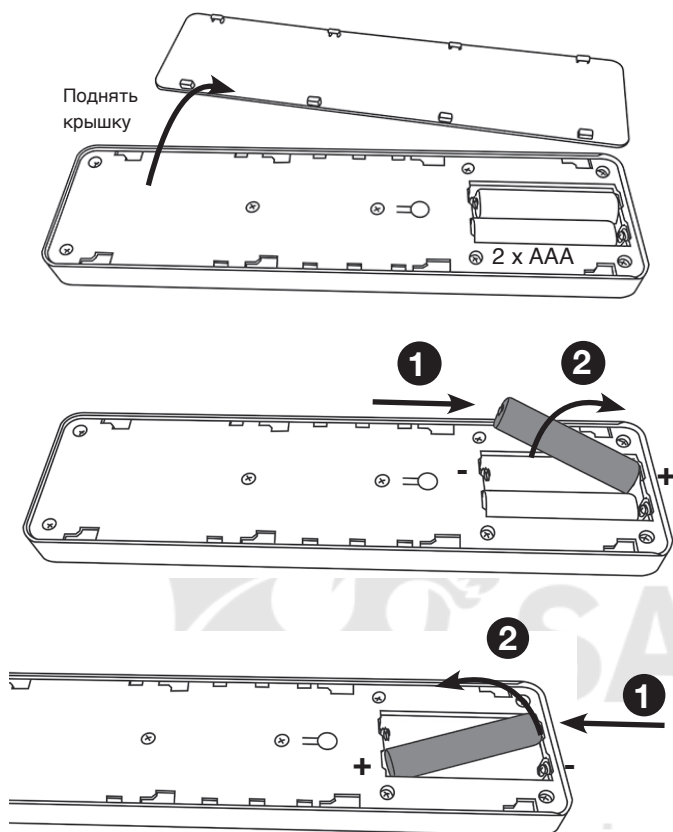


ПРИМЕЧАНИЕ. На пульте дистанционного управления есть индикатор состояния батареи (верхний правый угол), после продолжительного периода пустого отображения светодиодный экран перестанет работать, несмотря на то, что трубка все еще может отправлять команды. Замените батарейки, чтобы восстановить отображение.

ЗАМЕНА БАТАРЕЕК

Полностью разряженные батарейки следует вынуть из прибора и утилизировать безопасным образом.





Убедитесь, что батарейки в пульте новые и установлены правильно.

Утилизируйте старые батарейки, сдав в соответствующий пункт переработки.

Рекомендуется заменить батарейки через 1 год. Для работы пульта требуется две щелочные батарейки AAA 1,5 В.

Соблюдайте полярность.
Не допускайте короткого замыкания контактов.

Не пытайтесь заряжать непerezаряжаемые батарейки.

Пerezаряжаемые батарейки следует вынуть из устройства перед зарядкой.

Не используйте старые и новые батарейки одновременно.

Если прибор не используется в течение длительного периода времени, батарейки следует вынуть из пульта.

При замене батареек настройки таймера не изменяются. Убедитесь, что на часах установлено правильное время.

И ПРИМЕЧАНИЕ. При использовании функций удаленного и ручного управления, переключатель должен быть в положении «Включено». Чтобы не допустить перегрева продукта, включение обогревателя осуществляется с задержкой на 10 секунд и выключение теплового вентилятора — также с задержкой на 10 секунд.

Кнопка ручного управления контролирует не все, а только базовые функции. Доступ ко всем функциям предоставляется с пульта дистанционного управления.

ИНДИКАТОРЫ РАБОТЫ ОБОГРЕВАТЕЛЯ

При использовании теплового вентилятора одновременно с эффектами пламени или топлива индикаторы работы загорятся на 10 секунд.

При включении эффектов пламени или топлива светодиоды загорятся на 10 секунд. При использовании только теплового вентилятора индикаторы работы останутся включенными.

КНОПКА СБРОСА ДЛЯ ПУЛЬТА ДИСТАНЦИОННОГО УПРАВЛЕНИЯ

В случае потери сигнала пульта или необходимости замены пульта ознакомьтесь с информацией в разделе «Обслуживание».

КОД СИГНАЛА

Уникальный код сигнала для ручного передатчика программируется на заводе.

ВНИМАНИЕ! В случае потери сигнала или необходимости замены пульта ознакомьтесь с информацией в разделе «Обслуживание».

ОБСЛУЖИВАНИЕ

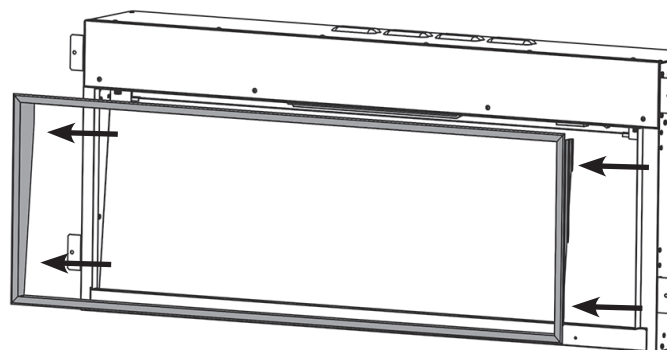
ПЕРЕД ЧИСТКОЙ ПРИБОРА УБЕДИТЕСЬ, ЧТО ОН ВЫКЛЮЧЕН.

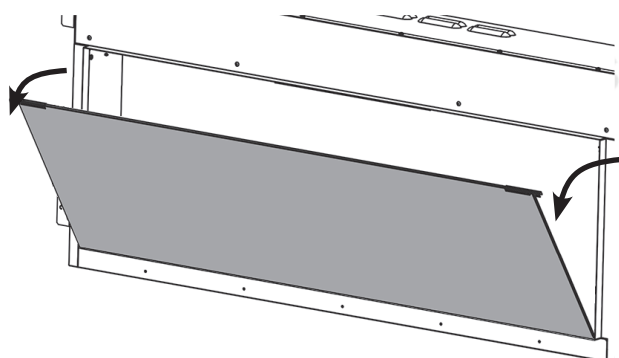
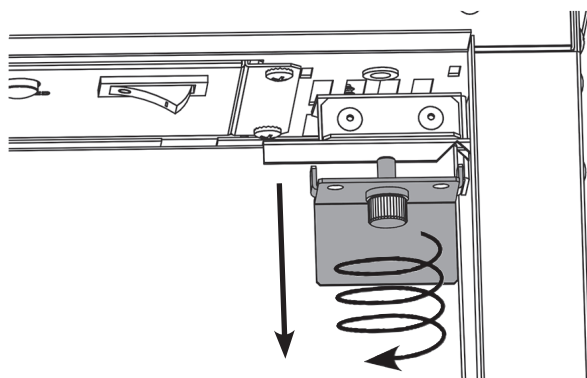
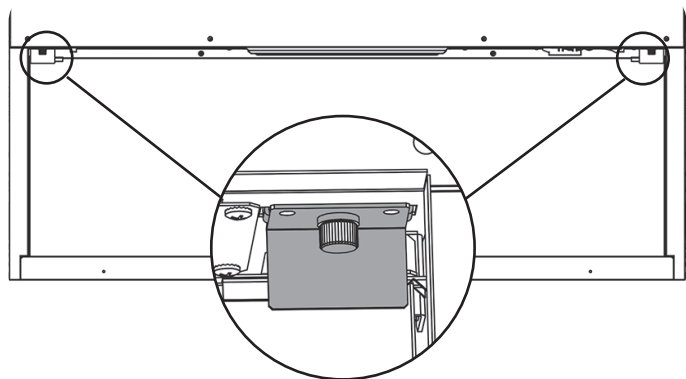
ЧИСТКА СТЕКЛА

Вытрите стеклянную смотровую панель влажной тканью и отполируйте безворсовой тканью.

Осторожно! Не используйте абразивных средств для чистки стеклянной панели. Не распыляйте жидкости непосредственно на поверхности прибора.

ЧИСТКА СЕКЦИИ ЭФФЕКТА ТОПЛИВА





Снимите и помойте секцию эффекта топлива, чтобы удалить частички пыли.

Или протрите безворсовой тканью.

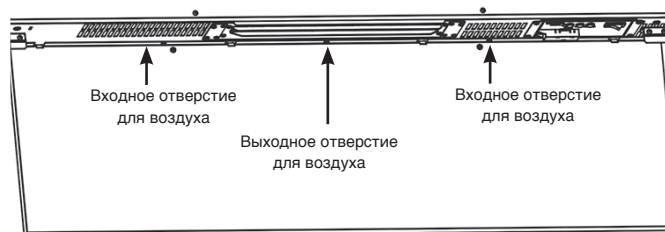
Убедитесь, что секция полностью сухая, прежде чем устанавливать ее на место.

При установке секции эффекта топлива на место следуйте инструкциям по установке, описанным в разделе 5.

Установите на место, выполняя действия в обратном порядке.

ОЧИСТКА ВХОДЯЩИХ ОТВЕРСТИЙ ДЛЯ ВОЗДУХА

Регулярно очищайте входящие и отводящие решетки мягкой тканью или насадкой пылесоса.



Скопление пыли может снизить эффективность работы вентилятора и привести к срабатыванию защитного отключения.

Следите за тем, чтобы вокруг прибора не было пуха, пыли или шерсти домашних животных.

В частности, пыль и тому подобное могут скапливаться вокруг обогревателя. Регулярно убирайте, чтобы предотвратить их скопление в этом месте.

ИНСТРУКЦИЯ ПО УСТАНОВКЕ

ОБЩЕЕ

НЕОБХОДИМЫЕ ИНСТРУМЕНТЫ

Понадобятся шуруповерт, уровень и дрель.

КАК РАСПАКОВАТЬ ЭЛЕКТРОТОПКУ

ОСТОРОЖНО! Прибор НЕЛЬЗЯ использовать, если на какую-либо из его частей попала вода.

Незамедлительно вызовите квалифицированного технического специалиста для проверки и, при необходимости, замены деталей электросистемы.

Аккуратно откройте упаковку и достаньте полистирол. Снимите и выбросьте пластиковый пакет. Храните пластиковую упаковку вдали от детей. Обращайтесь с упаковочным материалом ответственно.

Проверьте, извлечены ли все детали и аксессуары, прежде чем выбрасывать какую-либо часть упаковки. При необходимости оставьте оригинальную упаковку для будущей транспортировки и/или хранения.

УСТАНОВКА ПРИБОРА

Ваша новая электротопка eStudio может быть установлена, фактически, в любом месте дома. Однако при выборе местоположения нужно учитывать следующие требования.

Лучше всего установить ее вдали от прямых солнечных лучей.

Убедитесь в отсутствии труб и кабелей за стеной, которую необходимо сверлить или резать.

Перед установкой убедитесь, что конструкция стены позволяет ей выдержать вес прибора.

В идеале прибор следует располагать вблизи от подходящей электрической розетки, чтобы подключиться к ней. Допускается использование удлинителя от стационарной розетки, но его должен подключить квалифицированный электрик. Доступ к розетке должен быть легким для отключения прибора после того, как он будет установлен.

При ограничении доступа к обратной стороне прибора по завершении установки, убедитесь, что на его обратной стороне предусмотрено штепсельное соединение.

Если электропровод поврежден, его ремонт должен выполнять производитель, авторизованный им сервисный центр или специалист.

Убедитесь, что вблизи от выбранного места нет штор и мебели, т.к. это представляет потенциальную угрозу возгорания или перекрытия выпускных отверстий для воздуха.

ОСТОРОЖНО! ЛЮБЫЕ ВОСПЛАМЕНЯЕМЫЕ МАТЕРИАЛЫ ДОЛЖНЫ НАХОДИТЬСЯ НА РАССТОЯНИИ, КАК МИНИМУМ, 1 М ОТ ПЕРЕДНЕЙ ЧАСТИ ЭЛЕКТРОТОПКИ.

ТРЕБОВАНИЯ ПО ОБСЛУЖИВАНИЮ



ВО ВРЕМЯ ОБСЛУЖИВАНИЯ, ВОЗМОЖНО, ПРИДЕТСЯ РАЗРЕЗАТЬ КАБЕЛЬНЫЕ СТЯЖКИ ДЛЯ ДОСТУПА К НЕКОТОРЫМ ДЕТАЛЯМ И ИХ ИЗВЛЕЧЕНИЯ. ПРИ ПОВТОРНОЙ СБОРКЕ ЭЛЕКТРОТОПКИ ИХ НЕОБХОДИМО БУДЕТ ЗАМЕНИТЬ.

ПРЕДУПРЕЖДЕНИЕ: В основании имитации топлива расположен достаточно острый стержень. Будьте осторожны во время обслуживания электротопки.



ПРИМЕЧАНИЕ: Учитывая, что в данной инструкции по эксплуатации упоминается несколько моделей электротопок, количество винтов, которые потребуется открутить во время обслуживания, может различаться.

ДАННЫЙ ПРИБОР МОЖЕТ ОБСЛУЖИВАТЬ ТОЛЬКО КВАЛИФИЦИРОВАННЫЙ СПЕЦИАЛИСТ. ПЕРЕД НАЧАЛОМ КАКИХ-ЛИБО РАБОТ С ЭЛЕКТРОТОПКОЙ ИЗОЛИРУЙТЕ СЕТЬ ЭЛЕКТРОПИТАНИЯ, ЧТОБЫ ПРИБОР НЕ ОКАЗАЛСЯ ПОД НАПРЯЖЕНИЕМ.

Подождите не менее 10 минут, пока прибор остынет. Замена батарей устройства дистанционного управления. Проведите замену 2 элементов питания типа AAA. Убедитесь, что батареи в устройстве дистанционного управления вставлены правильно.



ПРИМЕЧАНИЕ. На пульте дистанционного управления есть индикатор состояния батареи (верхний правый угол), после продолжительного периода пустого отображения светодиодный экран перестанет работать, несмотря на то, что трубка все еще может отправлять команды. Замените батарейки, чтобы восстановить отображение.

Обслуживание мотора

Мотор, используемый для создания имитации пламени, заранее покрыт смазывающим составом, рассчитанным на весь срок службы, и не нуждается в дополнительном смазывании. При этом рекомендуется периодически чистить/пылесосить обогреватель.

Повторная установка выключателя термopредохранителя

Прибор оснащен устройством контроля электробезопасности. Это предохранительное устройство, которое отключает огонь, если прибор по какой-либо причине перегревается, например, от того что его накрыли.

Если прибор прекратил работу, а имитация пламени сохраняется, это указывает на срабатывание устройства контроля электробезопасности. Повторная установка устройства контроля электробезопасности возможна только после полного остывания электротопки.

Для переустановки устройства контроля электробезопасности необходимо:

Выключить прибор (ручным выключателем) и дать ему остыть в течение примерно 120 минут.

Убрать все преграды от выпускного отверстия воздушного обогревателя или других внутренних частей.

Включите прибор и устройство контроля электробезопасности переустановится. Убедитесь, что электротопка функционирует правильно.

Если устройство контроля электробезопасности сработает вновь, прибор должен будет проверить квалифицированный электрик.

WICHTEG

DEELER VUM BAUSSEGEHAIS VUN DÈSEM APPARAT GI VUM HIERSTELLER ALS AARBECHTSFLÄCH UGESINN, DÉI WAARM GËTT, WANN D'HEIZUNG AGESCHALT ASS. DOHIER GËTT EMPFUEL, DATT E BS-8423(LESCHT AUSGAB)-KONFORMT KAMÄIGITTER VERWENT GËTT, WA KLENG KANNER, EELER LEIT ODER GEBRIECHLECH PERSOUNEN NOBÄI SINN. D'HEIZUNGAUSGANGSGITTER GËTT WÄREND DEM BETRIB GLIDDEG. DECKT D'OFDECKUNG VUM AUSGANGSGITTER ODER DEELER VUM APPARAT NET OF.

Nëmme mat enger 230 V-50 Hz-Stroumversuergung verwenden.
Liest wgl. dës Installatioune suergfältig virun der Installatioun a versuergt se op enger sécherer Plaz.
Dir braucht se bei enger Maintenance oder engem Entretien.
DÈSEN APPARAT MUSS GEÄERT GINN.

DËST PRODUKT ASS NËMME FIR GUTT ISOLÉIERT BERÄICHER A GELEEËNTLECH NOTZUNG GËEEGENT.

WICHTEG INFORMATIOUNEN AN AARBECHTSSCHUTZ

Liest all Instruktioune suergfältig, éier Dir den Apparat verwent.

Huelt all Verpackung ewech an entsuergt se geméiss de lokale Virschreften.

Placéiert dësen Apparat net direkt ënner engem fixer Steckdous. Deeler vum Baussegehaiss vun dësem Apparat gi vum Hiersteller als Aarbechtsfläch ugesinn, déi waarm gëtt, wann d'Heizung ageschalt ass. Dir musst e gëeegent Kamäigitter verwenden, fir Kanner, eeler Leit a gebriechlech Persounen nobäi sinn.

Verwent dësen Apparat et an der direkter Ëmgéigend vun enger Buedbidden, enger Dusch engem Swimmingpool oder engem anere Beräich, wou den Apparat a Kontakt mat Waasser oder Fiichtegkeet komme kéint, z. B. engem Buedzëmmer.



WARNHIWEIS! NET OFDECKEN

Den Apparat däerf net ofgedeckt oder d'Belüftung/Ofloft verstoppt ginn, well den Apparat soss iwwehëtze kann. Beuecht wgl. d'Warnsymbol um Apparat (kuckt uewen).

Nëmmen dobannen verwenden. Dësen Apparat ass net fir de Gebrauch baussent dem Haus gëeegent.

Dësen Apparat muss an engem zweckméisseg gebaute Banneschlass installéiert sinn. Gitt sécher datt den Apparat eben ass an datt Miwwelen, Gardinen asw net méi no wéi 1m positionéiert sinn.

Stellt do, wou de Stroumversuergungskabel duerch e Kamäin, eng Steefassung asw. gezu muss ginn, sécher, datt gëeegent Gummimuffen un den Ofnotzungspunkten agesat ginn.

Wann op enger oppener Feierplaz installéiert, de Kamäin blannflanschen, fir de Risiko vun enger Réckstréimung ze reduzéieren, wat dozou féiere kann, datt d'Sécherheetsofschtaltung aspréngt.

Haalt de Stroumkabel vu gliddegen Uewerflächen a gliddege Bedéngungen ewech. D'Stroumféierung net virum Apparat verleeën.

Wann de Kamäin installéiert ass, muss d'Steckdous zougänglech sinn.

Wann de Stroumversuergungskabel beschiedegt ass, däerf den Apparat net benotzt ginn, bis de Kabel ersat ass. Aus Sécherheetsgrënn muss den Austausch vun engem Gazco-Clientsdängschmataarbechter oder engem änlech kompetenten Elektriker duerchgeféiert ginn.

OPPASSEN: Fir eng Gefor duerch onversinnt Zerécksetze vun der Thermoofschtaltung ze vermeiden, däerf den Apparat net iwwe eng extern Schaltariichtung ewéi beispillsweis eng Zäitschaltauer versuergt oder un de Stroumkrees ugeschloss ginn, dee reegelméisseg vum Energieversuergger an- an ausgeschalt gëtt.

Benotzt den Apparat net, wann e beschiedegt ass. Reparaturen un Elektroapparater däerfen nëmme vun engem Elektroingenieur duerchgeféiert ginn. Sollt den Apparat net funktionéieren oder beschiedegt sinn, da kontaktéiert wgl. den Händler, bei deem den Apparat kaaft gouf.

Dësen Apparat ka vu Kanner ab 8 Joer a Persoune mat ageschränkte physeschen, sensoreschen oder psychesche Fäegkeeten oder engem Mangel un Erfahrung a Wësse verwent ginn, wa se beopsiichtegt ginn oder a Bezuch op d'sécher Verwendung vum Apparat instruéiert goufen an déi domat verbonne Gefore verstinn. Kanner däerfen net mam Apparat spillen. D'Rengegung a Maintenance duerch de Benotzer däerf net vu Kanner ouni Opsicht duerchgeféiert ginn.

Kanner ënner 3 Joer mussen ewechgehale ginn, wa se net stänneg beopsiichtegt ginn.

Kanner vun 3 bis 8 Joer däerfen den Apparat nëmmen dann an- an ausschalten, wann en an der virgesinner an normaler Betriebsstellung opgestallt oder installéiert gouf a se beopsiichtegt ginn oder Instruktioune fir de séchere Gebrauch vum Apparat kritt hunn a se d'Gefore verstinn. Kanner vun 3 bis 8 Joer däerfen den Apparat net uschléissen, reegelen oder rengegen oder Maintenanceaarbechten duerchféieren.

Warnung: E puer Deeler vun dësem Produkt kënnen gliddeg ginn a Verbrennung verursaachen. Besonnesch Opmierksamkeet muss do gëllen, wou Kanner a schutzbedierfeg Persounen uwiesend sinn.

Gazco empfiehlt awer:

Dësen Apparat däerf net vu Persounen ënner 12 Joer, Persoune mat ageschränkte physeschen, sensoreschen oder psychesche Fäegkeeten oder Persoune verwent ginn, déi keng Erfahrung a kee Wëssen am séchere Bedéng vum Apparat hunn.

Den Apparat ka vu Persounen ab 12 Joer bedéngt ginn, wa se iwwe de séchere Gebrauch vum Apparat instruéiert goufen a sech de Gefore bewosst sinn. Persounen iwwe 12 Joer däerfen den Apparat och ënner Opsicht vun engem verantwortlechen Erwuessene bedéngen.

Deeler vun dësem Apparat gi während dem Betrib gliddeg a Persounen ënner 12 Joer däerfe bei lafendem Apparat ënner kengen Ëmstänn eleng gelooss ginn, ausser wann e gëeegent Kamäigitter benotzt gëtt, fir se virum direktem Kontakt mam Apparat ze schützen.

Kanner däerfen net mam Apparat spillen.

D'Rengegung a Maintenance duerch de Benotzer däerf net vu Kanner ouni Opsicht duerchgeféiert ginn.

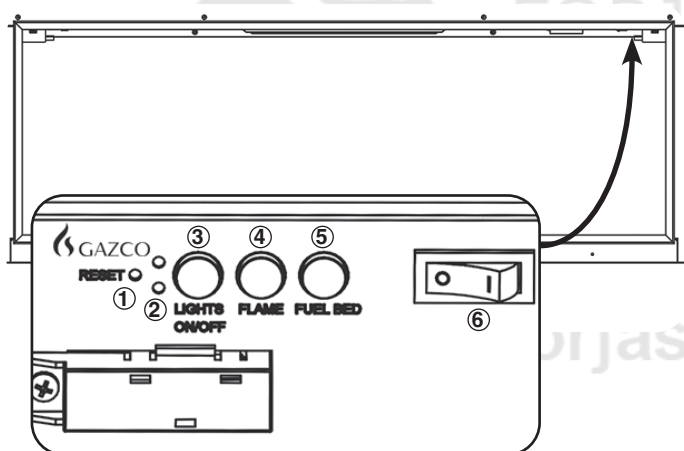
BEDÜNGUNGULEEDUNG



WARNHIWEIS! Benutzt den Apparat net, wann e beschiedegt ass oder eng Feelfunktioon huet. Wann Dir vermutt, dass den Apparat beschiedegt oder defekt ass, da went lech un e qualifizéierte Servicetechniker, fir den Apparat ze inspizéieren an wann néideg Deeler vum elektreschen System virun der nächster Verwendung auszetauschen.

Trennt den Apparat während dem Betrib net vum Stromnetz. Verwend d'Funktiounen op der Fernsteuerung, fir d'Feier auszuschalten, a stellt sécher, dass den Netzschalter virum Trennen op der Aus-Positioun steet.

MANUELLE STEUERUNGSBERÄICH



1. Knäppche fir ferngesteuert Zerécksetzen
2. Betriebsindicateure vum der Heizung
3. All Luuchten Un/Aus
4. Knäppche fir Flamastellung
5. Knäppche fir d'Astelle vum Brennstoffbett
6. Netzstrom Un/Aus

BEDREIWE VUM APPARAT

Dréckt 6, fir **den Apparat an-/auszuschalten**.



HIWEIS: Fir esouwuel d'Fernsteuerungs- ewéi ich d'manuell Funktiounen ze verwenden, muss de manuellen Un-/Ausschalter op "UN" stoen. Fir eng lwwerhëtzung vum Produkt ze verhënneren, gëtt den Heizlüfter mat enger Verzögerung vun 10 s an- an ausgeschalt.

De Manuellknäppche steiert Grundfunktioenen. Verwend d'Fernsteuerung, fir all Funktiounen auszeféieren.

Dréckt 3, fir **d'Flamen a Brennstoffbett** gläichzäiteg un-/auszuschalten.

Dréckt 4, fir d'Flamefaarf ze änneren oder an d'AUS-Positioun zeréckzekéieren.

Et gëtt dräi Flamefaarwen.

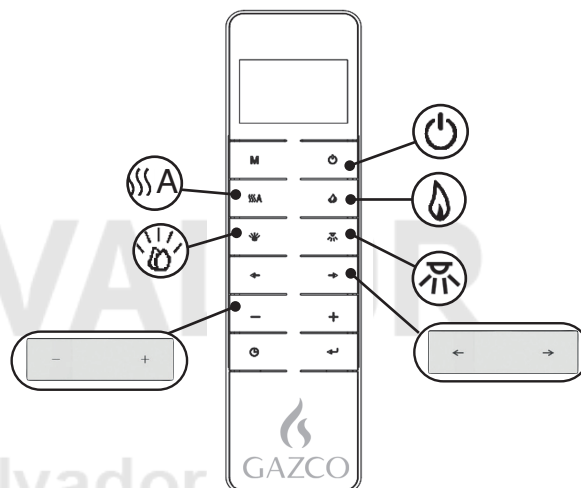
Dréckt 5, fir d'Brennstoffbettfaarf ze wielen oder an d'AUS-Positioun zeréckzekéieren.

Et gëtt véierzéng Brennstoffbettfaarfoptiounen.

Hiweis: Den Apparat löscht de Späicher fir d'Liichtfunktioenen, wann de Schalter an d'Aus-Positioun gestallt gëtt oder d'Fernsteuerung net méi mat Strom versuergt gëtt.

FERNSTEUERUNG

D'Fernsteuerung sollt op enger flaacher Uewerfläch am Raum gelooss ginn, an deem den Apparat installéiert ass, an ewech vum direkte Waarmloftstrom.



– An-/ausschalten

– Heizung

– Flamen

– Brennstoffbett

– Stëmmungsbelichtungsläischt

– Faarfoptiounen

– Nivauen

BEDREIWE VUM APPARAT - SÉIERE START



Den Apparat An-/Ausgeschalten

Den Apparat start mat der fir d'lescht gespäicherter Astellung.



D'Heizung an-/ausschalten.

– D'Hëtzt erhéijen oder verréngeren.



De Flameneffekt an-/ausschalten.

– D'Faarfoptioun änneren.
Et gëtt dräi Flamefaarfoptiounen:

– Den Hellegkeetsniveau erhéijen oder verréngeren.

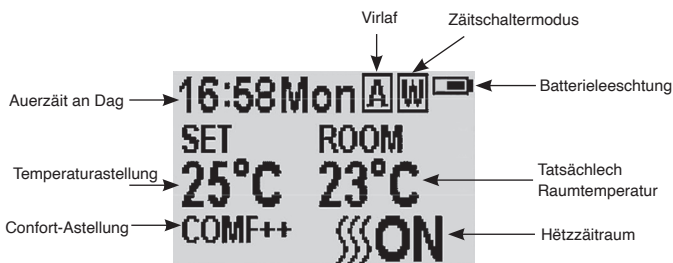
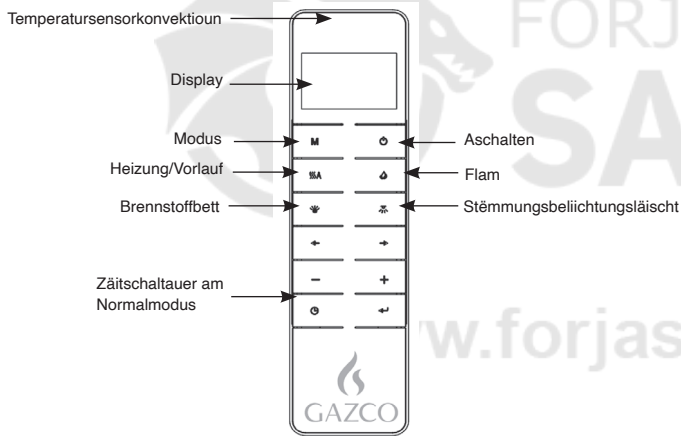
Brennstoffbetteffekt an-/ausschalten.

- ← → - D'Faarfoptioun änneren. Et gëtt véierzéng Brennstoffbettfaarfoptiounen:
- + - Den Hellegkeetsniveau erhéijen oder verréngeren.

D'Stëmmungsbelichtungsläischt an-/ausschalten.

- ← → - D'Faarfoptioun änneren. Et gëtt véierzéng Faarfoptiounen:
- + - Den Hellegkeetsniveau erhéijen oder verréngeren.

BEDREIWE VUM APPARAT - ERWEIDERT BEDÉNGUNG



An-/ausschalten

- ⏻ -Knäppchen drécken, fir de Flameneffekt auszuschalten.
- ⏻ -Knäppchen drécken, fir all d'Funktiounen am normalen Heizungssteuerungsmodus auszuschalten.
- ⏻ -Knäppchen drécken, fir de Flameneffekt am Heizmodus Dages- a Wochenzäitschalter auszuschalten.

WOCHENDEEG-/ZÄIT-/CONFORTTEMPERATUR- AN EENHEETENASTELLUNG

Stellt sécher, datt d'Auer op déi richtig Zäit agestallt ass.

M 3 Sekonne laang drécken.

"←"- oder "→"-Knäppchen drécken, fir d'Astellung auszewielen.

Dat ausgewielt Zeeche gëtt ervirgehewen.



Dréckt d'"+"- oder "-"-Knäppercher, fir d'Zuel unzepassen.

Zäit: 24-Stonne-System.
Wielt d'Conforttemperatur tëschent 15 a 25 °C.
Temperatureenheet: °C/°F.

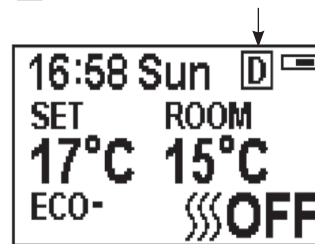
↵-Knäppchen 3 Sekonne laang drécken oder 10 Sekonne waarden, fir d'Wochen-, Zäit- an Heiztemperatur ze späicheren.

DEEGLECH ZÄITSCHALTHEIZUNG

Déi folgend Hëtzäite si viragestallt, kënnen awer bei Bedarf geännert ginn.

06.00 bis 08.00
17.00 bis 22.00

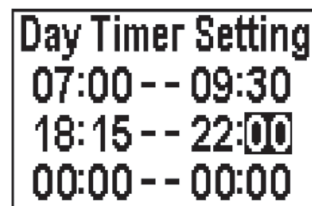
Dréckt M bis D uewe riets um Bildschirm ugewise gëtt.



↵-Knäppche 6 Sekonne laang gedréckt halen. Pro Dag kënnen 3 zäitlech festgeluecht Hëtzsäiten agestallt ginn.

Dréckt "←" oder "→", fir d'Stonn oder Minutt ze wielen.

Dréckt d'"+"- oder "-"-Knäppercher, fir d'Zuel festzeleeën. D'Minutte ginn a Schrëtt vu 15 min pro Knäppchendrock erhéicht/verréngert.



↵-Knäppchen 3 Sekonne laang gedréckt halen oder 10 Sekonne waarden, fir d'Astellung fir d'Hëtzsäit ze späicheren an ze verlossen.

Dréckt ↵, fir den deeglechen Zäitschaltmodus ze iwwerpräiwen.

Fir d'Heizung auszuschalten, kéiert op den normale Steuerungsmodus zeréck.

Schalt den Apparat am deeglechen Zäitschaltmodus mat der Fernsteuerung aus, fir d'Belichtung ze stoppen. D'Wärmtausgab gëtt geméiss den Zäitschaltastellunge virugeféiert.

D'FESTGELUECHT TEMPERATUR UPASSEN

Dréckt d'"+"- oder "-"-Knäppcher, fir d'Temperatur baséierend op der COMF-Temperatur ze erhéijen oder ze reduzéieren.

COMF bedeit, datt d'tatsächlech Temperatur mat der Astellung identesch ass.

ECO bedeit, datt d'tatsächlech Temperatur 2 °C ënner der festgeluechter Temperatur läit.

ECO- bedeit 4 °C méi niddereg.

COMF+ bedeit 2 °C méi héich.

COMF++ bedeit 4 °C méi héich.

ADAPTIV STARTSTEIERUNG

D'Heizung bestëmmt automatesch déi gëeegent Zäit fir ze hëtzen, fir sécherzestellen, datt déi agestalt Temperatur zur festgeluechter Zäit (bis zu 45 Minutte virun der festgeluechter Zäit) erreecht gëtt.

UPASSUNG VUN DER FLAMEFAARF

 -Knäppchen drécken.

Et gëtt 3 Flamefaarfoptionen.

Et gëtt 6 Hellegkeetsniveauen, inklusiv aus.




"←"- oder "→"-Knäppchen drécken, fir duerch Flamfaarfoptionen ze schalten.

"+"-Knäppchen drécken, fir d'Flamhellegkeet ze erhéijen.

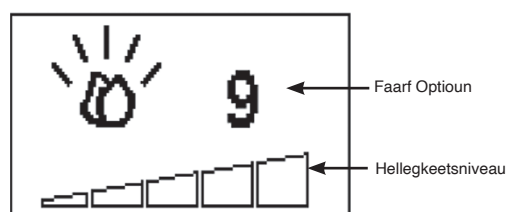
"-"-Knäppchen drécken, fir Flamhellegkeet ze verréngeren, bis se ausgeschalt ass.

UPASSUNG VUN DER BRENNSTOFFBETTFAARF

Dréckt , fir op de Bildschirm fir d'Brennstoffbett-Belichtungsupassung ze wiesselen.

Et gëtt 14 Brennstoffbettfaarfoptionen.

Et gëtt 6 Hellegkeetsniveauen, inklusiv aus.




"←"- oder "→"-Knäppchen drécken, fir duerch Brennstoffbettoptionen ze schalten.

"+"-Knäppchen drécken, fir d'Brennstoffbetthellegkeet ze erhéijen.

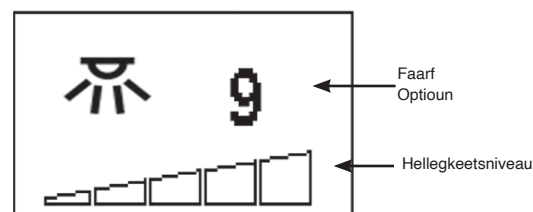
"-"-Knäppchen drécken, fir Brennstoffbetthellegkeet ze verréngeren, bis se ausgeschalt ass.

UPASSUNG VUN DER BRENNSTOFFBETTFAARF

Dréckt , fir op de Bildschirm fir d'Brennstoffbett-Belichtungsupassung ze wiesselen.

Et gëtt 14 Brennstoffbettfaarfoptionen.

Et gëtt 6 Hellegkeetsniveauen, inklusiv aus.



"←"- oder "→"-Knäppchen drécken, fir duerch Brennstoffbettoptionen ze schalten.

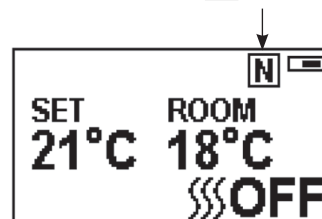
"+"-Knäppchen drécken, fir thellegkeet ze erhéijen.

"-"-Knäppchen drécken, fir hellegkeet ze verréngeren, bis se ausgeschalt ass.

NORMALE STEIERUNGSMODUS

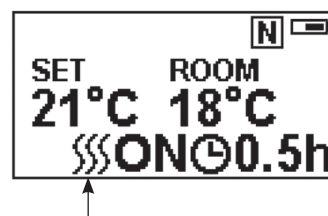
Den normale Steierungsmodus ass d'Standardastellung.

M-Knäppchen drécken, bis de **N**-Logo ugewise gëtt.



"+"- oder "-"-Knäppchen drécken, fir déi festgeluecht Temperatur vu 17 °C bis 25 °C anzustellen.

ON A-Knäppchen drécken, fir d'Heizung an-/auszuschalten.




Hiweis: Et ass normal, datt d'Lüfterheizung sech während bestëmmten Zäitraum ausschalt. Dat ass de Fall, wann d'Raumtemperatur méi héich ewéi déi um Reegler festgeluecht Temperatur ass.

Den Heizungsindicateur gëtt no 10 s ausgeschalt, wann d'Flam ageschalt gëtt. Den Heizungsindicateur bleibt ageschalt, wann nëmmen d'Heizfunktioon benotzt gëtt.

Schalt den Apparat am normale Steierungsmodus mat der Fernsteuerung aus, fir esouwuel d'Belichtung an d'Heizung ze stoppen.

COUNTDOWN

Dës Astellung ass nëmmen am normalen Heizungssteuerungsmodus verfügbar. Domat kann den Apparat no enger bestëmmter Zäit erëm an den Standbymodus versat ginn. D'Heizung musst ageschalt sinn, fir dës Funktioun notzen ze kënnen.

Dréckt , fir d'Astellung vun Aus an 0,5 Stonne bis 9 Stonnen ze schalten. Den Zäitschaltlogo an déi iwwereg Zäit ginn um Bildschirm ugewisen.

D'Heizung vum Apparat ka mat Hëllef vun der deeglecher a wéchentlecher Zäitschaltung automatesch bedriwwen ginn.

WÉCHENTLECH ZÄITSCHALTHEIZUNG


Déi follgend Hëtzzäite si viragestallt, kënnen awer bei Bedarf geännert ginn.

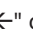
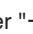
Vu Méindeg bis Freideg
06.00 bis 08.30
17.00 bis 22.00


Vu Samschdeg bis Sonndeg
06.30 bis 09.30
11.00 bis 13.00
17.00 bis 22.00

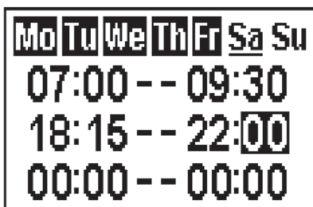
Dréckt **M**, bis  ugewise gëtt.




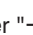

-Knäppche 6 Sekonne laang gedréckt halen.

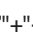

Dréckt "" oder "", fir de Cursor (e blénkenden Ënnerstréch) ze verréckelen.


-Knäppchen an der entsprecherender Wochepositioun drécken, fir déi aktuell Astellung auszewielen (d'Zeechen ass ervirgehuewen) oder ofzebriechen (d'Zeeche gëtt normal ugewisen), de selwechten Zäitraum kann zesummen ausgewielt ginn.







""-Knäppchen drécken, fir de Cursor an den Astellungsberäich fir den Zäitraum ze verréckelen.

""- oder ""-Knäppchen drécken, fir d'Stonn oder Minutt ze wielen.

Dréckt d""- oder ""-Knäppchen, fir d'Ziel festzeleeën. Pro Dag kënnen maximal 3 zäitlech festgeluecht Hëtzzäiten festgeluecht ginn. D'Minutte ginn a Schrëtt vu 15 min pro Knäppchendrock erhéicht/verréngert.

Dréckt , fir d'Hëtzzäit fir den ausgewielten Dag festzeleeën an op d'Wochenzeil zeréckzekéieren.

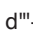
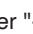
-Knäppchen 3 Sekonne laang gedréckt halen oder 10 Sekonne waarden, fir d'Astellung fir d'Hëtzzäit ze späicheren an ze verlossen.

Dréckt  "" oder "", fir d'Zäitschaltastellung fir de Wochenzäitschalt-Hëtzmodes ze iwwerpräiwen.

Fir d'Heizung auszuschalten, kéiert op den normale Steuerungsmodus zeréck.

Schalt den Apparat am wéchentlechen Zäitschaltmodus mat der Fernsteuerung aus, fir d'Belichtung ze stoppen. D'Wärmtausgab gëtt geméiss den Zäitschaltastellung virugeféiert.

D'FESTGELUECHT TEMPERATUR UPASSEN

Dréckt d""- oder ""-Knäppchen, fir d'Temperatur baséierend op der COMF-Temperatur ze erhéien oder ze reduzéieren.

COMF bedeit, datt d'tatsächlech Temperatur mat der Astellung identesch ass.

ECO bedeit, datt d'tatsächlech Temperatur 2 °C ënner der festgeluechter Temperatur läit.

ECO- bedeit 4 °C méi niddereg.

COMF+ bedeit 2 °C méi héich.

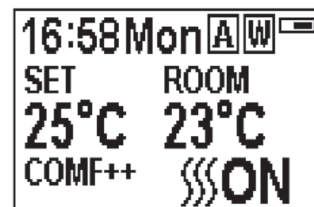
COMF++ bedeit 4 °C méi héich.

ADAPTIV STARTSTEIERUNG

D'Heizung bestëmmt automatesch déi géeeegent Zäit fir ze hëtzen, fir sécherzestellen, datt déi agestallt Temperatur zur festgeluechter Zäit (bis zu 45 Minutte virun der festgeluechter Zäit) erreecht gëtt.

FORTGESCHRATTE MODUS

Den Heizungsstatus kann esouwuel am deeglechen ewéi och am wéchentlechen Zäitschalttheizungsmodus op den nächsten Zäitraum virgeschalt ginn.

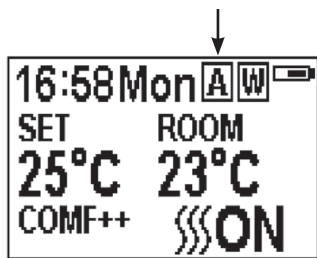


Wann d'Heizung am aktuellen Zäitraum ageschalt ass, schalt sech d'Heizung duerch d'Drécke vum Knäppchen aus.

Wann d'Heizung am aktuellen Zäitraum ausgeschalt ass, schalt sech d'Heizung duerch d'Drécke vum Knäppchen an.

D'Heizleeschtung hänkt vun der Raumtemperatur an der Astelltemperatur of.

Dréckt **[[[A** erneit, fir am deeglechen a wéchentlechen Zäitschaltheizungsmodus an de fortgeschratte Modus ze wiesselen.



Dréckt **[[[A** erneit oder den Zäitschaltzäitraum leeft aus an de fortgeschratte Modus gëtt verlooss.

FËNSTER-OP-ERKENNUNG

Wann den Transmitter e séieren Offall vun der Raumtemperatur erkennt, gëtt dat als oppe Fënster erkannt: D'Warnsymbol gëtt ugewisen an d'Heizung gëtt automatesch ausgeschalt.



No engem Temperaturustig am Banneberäich oder engem manuellen Agrëff (iwwer d'Fernsteuerung) kéiert se an den normale Betriebszoustand zeréck.

BEDREIWE VUM APPARAT - PROBLEMLÉISUNG

BATTERIE

De Batterieniveau gëtt uewe riets um Bildschirm vun der Fernsteuerung ugewisen.

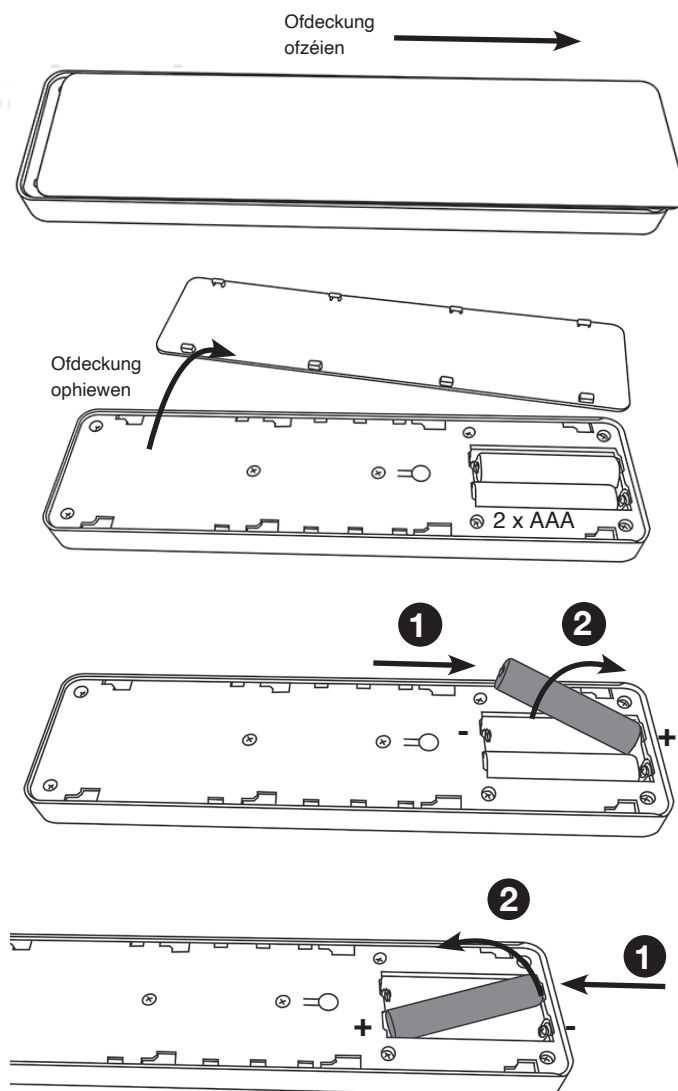
	Batterie voll	Keng Aktioun erfuorderlech
	Batterie hallef voll	Stellt sécher, dass nei Batterië verfügbar sinn.
	Batterie eidel	Batterien direkt ersetzen



HIWEIS: D'Fernsteuerung verfüegt iwwer e Batteriestatusindicateur (uewe riets am Eck), nodeem eng länger Zäit eng eidel Batterie ugewise gëtt, funktioniert den LED-Bildschirm net méi, obwuel den Handapparat weiderhi Befeeleer schécke kann. Ersetzt d'Batterien, fir den Display erëm hierzustellen.

BATTERIEN ERSETZEN

Eidel Batterië mussen aus dem Apparat geholl a sécher entsuert ginn.



Stellt sécher, dass d'Batterie vum Handapparat nei a richtig ageluecht sinn.

Entsuergt al Batterien geméiss de lokale Bestëmmungen.

Et gëtt empfuehl, d'Batterien no 1 Joer auszetauschen. D'Fernsteuerung brauch zwou 1,5-V-Alkali-Batterien.

Stellt sécher, dass d'Polaritéit richtig ass. D'Polen net kuerzschléissen.

Versicht net, Net-Akkuen opzelueden.

Huelt d'Akkue virum Lueden eraus.

Benutzt al Batterien net zesumme mat neien.

Huelt d'Batterien eraus, wann den Apparat eng länger Zäit net benotzt gëtt.

D'Wiessele vun de Battierë wierkt sech net op d'Anstellungen am Zäitschaltmodus aus. Stellt sécher, dass d'Auer op déi richtig Zäit agestallt ass.

i **HIWEIS:** Fir esouwuel d'Fernsteuerungs- ewéi ich d'manuell Funktiounen ze verwenden, muss de manuellen Un-/Ausschalter op "UN" stoen. Fir ze verhënneren, dass d'Produkt ze waarm gëtt, gëtt et eng 10-Sekonne-Verzögerung beim Aschalt vum der Heizung an eng 10-Sekonne-Verzögerung beim Ausschalt vum Heizlüfter.

De Manuellknäppche steiert Grundfunktioonen, net all Steuerungselementer. Verwend d'Fernsteuerung, fir all Funktiounen auszuféieren.

BETRIBSINDICATEURE VUN DER HEIZUNG

Wann den Heizlüfter zesumme mat de Flamen- oder Brennstoffbetteffekter benotzt gëtt, lichten d'Betriebsindicateure vum Heizlüfter 10 Sekonne laang op.

D'LEde lichten 10 Sekonne laang op, wann de Flamen- oder Brennstoffbetteffekt ageschalt ass. Wann den Heizlüfter onofhängeg verwent gëtt, bleiwen d'Betriebsindicateure vun der Heizung ageschalt.

ZERÉCKSETZEKNÄPPCHE FIR D'FERNSTEUERUNG

Wann den Handapparat d'Signal verléiert oder ausgetosch muss ginn, da kuckt am Maintenanceabschnitt fir weider Informatiounen.

SIGNALCODE

Den Handsender ass wieksäiteg mat engem eendeitege Signalcode konfiguréiert.

WICHTEG: Wann den Handapparat d'Signal verléiert oder ausgetosch muss ginn, da kuckt am Maintenanceabschnitt fir weider Informatiounen.

MAINTENANCE

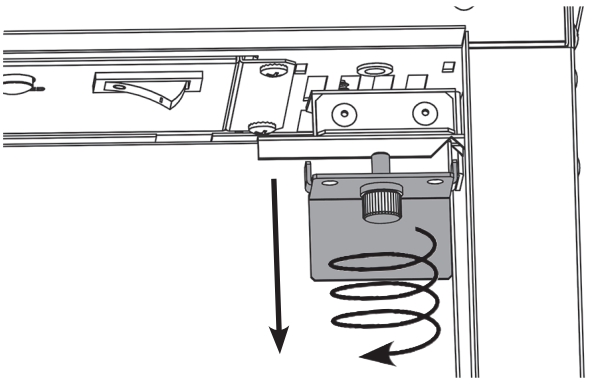
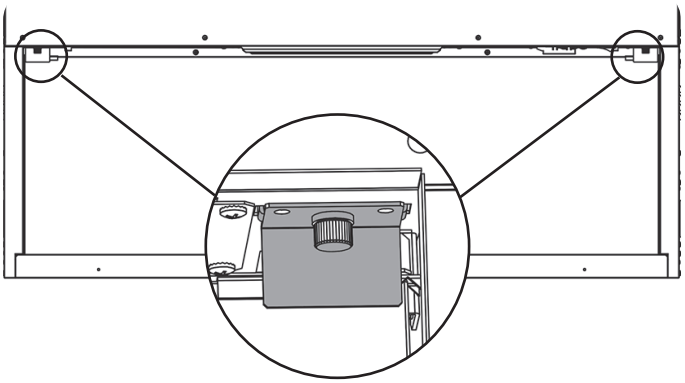
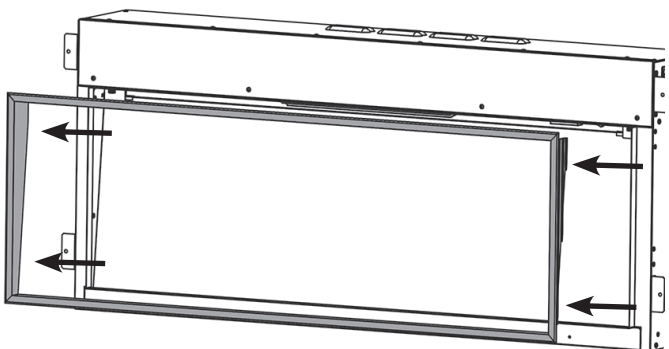
STELLT VIRUM RENEGE SÉCHER, DATT DEN APPARAT AUSGESCHALT ASS.

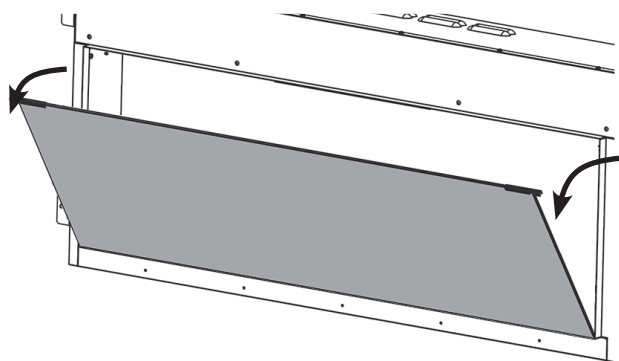
GLASRENEGUNG

Wëscht d'Glasofdeckung mat engem fichten Duch of a poliéiert mat enger fisemfräier Stëbslomp no.

Warnung: Verwend keng Schautermëttel op der Glasscheif. Sprayt keng Flëssegkeeten direkt op d'Uewerfläch vum Apparat.

RENEGGE VUM BRENNSTOFFEFFEKT





Huelt de Kraafstoffeffekt eraus a wäscht en, fir Stëbspartikelen ewechzemaachen.

Alternativ mat engem fisefräier Stëbslomp rengen.

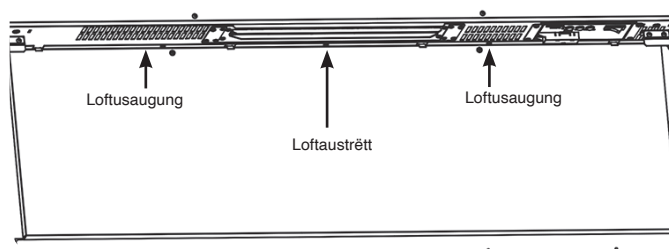
Stellt sécher, datt den Effekt dréchen ass, éier Dir en erëm asetzt.

Fir de Brennstoffeffekt erëm anzesetzen, kuckt Abschnitt 5 vun den Installatiounsinstruktiounen fir de Layout.

An ëmgekéierter Reiefolleg erëm asetzen.

LOFTUSAUGUNG RENGEN

Rengt d'Loftausaugungs- an -austrëttsgriller reegelméisseg mat engem duussen Duch oder der Düs vun engem Staubsauger.



Stëbsusammlung kënnen d'effizient Leeschtung vum Lüfter beanträchtegen an zu enger Sécherheetsofschaltung féieren.

Haalt de Beräich ëm den Apparat propper a fräi vu Fise, Stëbs an Déierenhoer.

Besonesch am Heizungsberäich kann et zu Stëbsusammlungen asw. kommen. Uecht besonesch dorop, dëse Beräich reegelméisseg fräi vu Partikelen ze halen, fir eng Usammlung ze vermeiden.

INSTALLATIOUN

ALLGEMENG

ERFUERDERLECHT GESCHIER

Dir braucht en Tournevis, eng Setzwo, eng See an e Buerer.

AUSPAKE VUM KAMÄIN

WARNHIWEIS! Dësen Apparat **NET benotzen, wann en Deel a Beréierung mat Waasser komm ass.**

Went lech direkt un e qualifizéierte Servicetechniker, fir all Deeler vun der elektrescher Anlag ze inspizéieren a, wann néideg, auszetauschen.

Maacht d'Verpackung virsiichteg op an huet de Polystyrol ewech. Huet d'Plastiktut ewech an entsuergt se. Haalt d'Plastikfolie vu Kanner ewech. Gitt verantwortlech mam Verpackungsmaterial ëm.

Vergewëssert lech, dass all Deeler an Accessoiren erausgeholl goufen, éier Dir Verpackungen entsuergt. Versuergt d'Originalverpackung fir en zukünftigen Transport an/oder Lagerung.

Test den Apparat virun der Installatioun.

MONTAGE VUM APPARAT

PLACÉIERUNG VUM ESTUDIO

Ären neien eStudio ka praktesch iwwerall an Ärem Heem installéiert ginn. Uecht awer bei der Auswiel vun engem Standuert dorop, dass déi allgemeng Instruktioune befollegt ginn.

Déi bescht Resultater erziilt Dir, wann Dir d'Produkt net an direktem Sonnelicht installéiert.

D'Heizung sollte idealerweis an eng flaach Bannewand agebaut ginn, déi entweder aus Stuckwierk oder Gipskartongsbléck/-zille besteet. Déi matgeliiwert Befestegunge sinn NËMME fir den Asaz un Zillewänn geduecht. Stellt wgl. sécher, dass bei der Befestegung un engem Huelraum oder speziell gebauten Huelraum gëeegent Befestegunge verwent ginn.

HIWEIS: Dësen Apparat eegent sech net fir d'Montage un enger Huelwand, enger Bausewand, engem oppene Schaarschtech oder enger Öffnung, déi Fiichtegkeet oder Zuchloft ausgesat kéint sinn, ausser wann entspreichend Virkéierunge getraff ginn, fir ze vermeiden, dass den Apparat mat Fiichtegkeet oder iwwerméisseger Zuchloft a Kontakt kënnt. An esou Installatioune sollten all existent Schaarschtecher an/oder zweckméisseg installéiert Lüftungsschächt vollstänneg versigelt ginn.

Stellt sécher, dass sech keng Réier oder Kabelen hanner dem ze buerenden oder schneidende Beräich befannen.

Stellt ëmmer sécher, dass den Apparat entspreichend gestëtzt ass an op enger fester Struktur sëtzt, wann en iwwer Buedemniveau installéiert gëtt.

Den Apparat sollt sech idealerweis nobäi vun enger Steckdous befannen, fir den Schloss ze erméiglechen. Vun enger bestoender Steckdous kann eng Verlängerung geluecht ginn, dat muss awer vun engem entspreichend qualifizéierten Elektroingenieur duerchgefëiert ginn. D'Steckdous muss lücht zougängelech sinn, fir eng Trennung beim Abau ze erméiglechen.

Wann den Netzkabel beschiedegt ass, muss e vum Hiersteller, sengem autoriséierte Servicecenter oder enger professioneller Persoun reparéiert ginn.

Stellt sécher, dass sech keng Riddeen a Miwwelen nobäi vun der gewielter Positioun befannen, well dëst eng méiglech Brandgefor duerstellen an d'Ofloftkanäl vun der Heizung blockéiere géif.

WARNHIWEIS! ALL BRENNBAR MATERIALER SOLLTE MINDESTENS 1 M VUN DER VIISCHTER SÄIT VUM ELEKTRESCHEN KAMÄIN EWECHE SINN.

MAINTENANCEUFUERDERUNGEN



WÄREND DER MAINTENANCE VUN DĒSEM APPARAT KANN ET ERFUERDERLECH SINN, KABELBINDER ZE SCHNEIDEN AN EWECHZEHUELEN, FIR ZOUGANG ZU E PUER DEELER ZE KRÉIEN. SE MUSSE BEIM ZESUMMEBAU VUM APPARAT ERSAT GINN.

DĒSEN APPARAT DÄERF NĒMME VUN ENGER ENTSPRIECHEND QUALIFIZIÉRTER PERSOUN BETREIT GINN.

ÉIER AARBECHTEN UM APPARAT DUERCHGEFÉIERT GINN: SCHALT DEN APPARAT AUS AN TRENNT D'STROUMVERSUERUNG A STELLT SÉCHER, DATT DEN APPARAT NET MAT STROUM VERSUERGT GĒTT.

Wart op d'mannst 10 Minuten, bis den Apparat ofgekillt ass.

Austausch vun de Batterië vum Handapparat

Duerch 2 AAA-Batterien ersetzen. Stellt sécher, datt d'Batterië richteg an d'Fernsteuerung ageluecht sinn.



HIWEIS: D'Fernsteuerung verfüügt iwwer e Batteriestatusindicateur (uewe riets am Eck), nodeem eng länger Zäit eng eidel Batterie ugewise gëtt, funktionéiert den LED-Bildschirm net méi, obwuel den Handapparat weiderhi Befeeleer schécke kann. Ersetzt d'Batterien, fir den Display erëm hierzustellen.

Maintenance vu Motoren

De fir den Flameneffekt verwernte Motor ass fir eng länger Liewensdauer virgeschmiert an erfuerdert keng weider Schmierung. Et gëtt awer empfuehl, d'Hëtzeenheet reegelméisseg ze reneegen/staubsaugen.

Zerécksetze vum Thermoofschtungsschalter

Den Apparat ass mat enger elektronischer Sécherheitssteuerung (E.S.) ausgestattet. Dat ass eng Sécherheitsvirrichtung, déi d'Feier ofschalt, wann den Apparat aus iergendengem Grund iwverhëtzt, z. B. wann en ofgedeckt ass.

Wann d'Heizung net méi funktionéiert, während de Flameneffekt normal weiderleeft, dann ass dat en Zeechen dofir, datt d'E.S.-Steuerung aktivéiert gouf.

D'E.S.-Steuerung kann nëmmen zeréckgesat ginn, nodeem den Apparat ofgekillt ass.

Fir d'E.S. zeréckzesetzen:

Schalt den Apparat aus (manuellen Un-/ausschalter) a loosst en ca. 120 Minute laang mat Rou.

Huelt all Hindernisser beim Heizlüfterausgang oder aneren internen Deeler ewech.

Schalt den Apparat an an d'E.S.-Steuerung gëtt zeréckgesat. Stellt sécher, datt den Apparat uerdnungsgeméis funktionéiert. Wann D'E.S.-Steuerung erneit aspréngt, da sollt den Apparat vun engem zoustännegen Elektriker iwverpréift ginn.

IMPORTANTE

ALGUMAS PARTES DA CAIXA EXTERIOR DESTA APARELHO SÃO CONSIDERADAS PELO FABRICANTE COMO UMA SUPERFÍCIE OPERACIONAL QUE FICA QUENTE QUANDO O AQUECEDOR É LIGADO. RECOMENDA-SE, POR ISSO, QUE SEJA UTILIZADA UM GUARDA-FOGO EM CONFORMIDADE COM A BS 8423 (ÚLTIMA EDIÇÃO) NA PRESENÇA DE CRIANÇAS, IDOSOS OU ENFERMOS.

A GRELHA DE SAÍDA DO AQUECEDOR FICA MUITO QUENTE DURANTE O FUNCIONAMENTO. NÃO TAPE A GRELHA DE SAÍDA OU QUALQUER PARTE DO APARELHO.

Para uso apenas com alimentação elétrica 230V 50Hz.

Leia estas instruções atentamente antes da instalação e mantenha-as num local seguro.

São necessárias durante os trabalhos de manutenção ou de reparação.

ESTE APARELHO DEVE SER LIGADO À TERRA

ESTE PRODUTO É ADEQUADO APENAS PARA ESPAÇOS BEM ISOLADOS E USO OCASIONAL.

INFORMAÇÕES IMPORTANTES SOBRE SAÚDE E SEGURANÇA

Leia todas as instruções atentamente antes de usar o aparelho.

Remova todas as embalagens e elimine-as para uma instalação de reciclagem apropriada.

Não coloque este aparelho imediatamente abaixo de uma tomada fixa.

Algumas partes da caixa exterior deste aparelho são consideradas pelo fabricante como uma superfície operacional que fica quente quando o aquecedor é ligado. Deve usar um guarda-fogo adequado para proteger crianças, idosos e enfermos.

Não use este aparelho na proximidade de banheiras, chuveiros, piscinas ou qualquer outra área onde o aparelho possa entrar em contacto com água ou humidade, por exemplo, uma casa de banho.



ADVERTÊNCIA! NÃO TAPAR

Não permita que o aparelho seja coberto ou que a entrada/saída de ar fique obstruída, pois o aparelho pode sobreaquecer. Observe o símbolo de advertência no aparelho (veja acima).

Apenas para uso no interior. Este aparelho não é adequado para uso no exterior.

Este aparelho deve ser instalado em um gabinete de vigas construído para esse fim. Certifique-se de que o aparelho está nivelado e que os móveis, cortinas, etc. estão posicionados a menos de 1 m.

Quando o cabo elétrico tiver que passar através de uma lareira, barreiras de pedra, etc., certifique-se de que são colocados casquilhos de borracha adequados nos possíveis pontos de desgaste.

Se instalado numa lareira aberta, cubra a chaminé para reduzir o risco de que uma corrente de ar possa acionar o dispositivo de segurança.

Mantenha o cabo elétrico afastado de superfícies e ambientes quentes. Não passe o cabo elétrico pela frente do aparelho.

Depois de instalada a lareira, a ficha elétrica deve ficar acessível.

Se o cabo elétrico estiver danificado, não utilize o aparelho antes de proceder à sua substituição. Por razões de segurança, a substituição do cabo deve ser realizada por um agente de serviço Gazco ou por um electricista qualificado.

CUIDADO: Para evitar riscos devido à reinicialização inadvertida do corte térmico, este aparelho não deve ser alimentado por um dispositivo de comutação externo, como um temporizador, ou ligado a um circuito que é regularmente ligado e desligado pela utilitário.

Não opere o aparelho se estiver danificado.

As reparações de aparelhos elétricos devem ser realizados apenas por um profissional electricista qualificado. Se o aparelho não funcionar, ou em caso de qualquer avaria, contacte o revendedor onde o aparelho foi comprado.

Este aparelho pode ser usado por crianças a partir de 8 anos de idade e por pessoas com capacidades físicas, sensoriais ou mentais reduzidas ou com falta de experiência e de conhecimento, desde que supervisionadas e instruídas sobre o uso do aparelho de forma segura e desde que entendam os perigos envolvidos. As crianças não devem brincar com o aparelho. A limpeza e manutenção pelo utilizador não devem ser realizadas por crianças sem supervisão.

As crianças com menos de 3 anos devem ser mantidas afastadas, exceto se continuamente supervisionadas.

As crianças com idade entre 3 e 8 anos só devem ligar/desligar o aparelho, desde que tenha sido colocado ou instalado na posição normal de operação e se supervisionadas e instruídas sobre o uso do aparelho de forma segura e compreendam os perigos envolvidos. As crianças com idade entre 3 e os 8 anos de idade não devem ligar, regular e limpar o aparelho ou realizar manutenção.

Cuidado: Algumas partes deste produto podem ficar muito quentes e provocar queimaduras. Deve ser prestada atenção especial quando estão presentes crianças e pessoas vulneráveis.

No entanto, a Gazco recomenda:

Este aparelho não se destina a ser utilizado por pessoas com menos de 12 anos, pessoas com capacidades físicas, sensoriais ou mentais reduzidas ou pessoas com falta de experiência e de conhecimento sobre o funcionamento seguro do aparelho.

O aparelho pode ser operado por pessoas com mais de 12 anos, desde que instruídas sobre o uso seguro do aparelho e que compreendam os riscos envolvidos. As pessoas com mais de 12 anos também podem operar o aparelho se supervisionadas por um adulto responsável.

Algumas partes deste aparelho ficam quentes durante a operação e em nenhuma circunstância pessoas com menos de 12 anos devem ser deixadas sozinhas com o produto quando está em operação, exceto se for usado um guarda-fogo adequado para proteção contra a possibilidade de contacto direto com o aparelho.

As crianças não devem brincar com o aparelho.

A limpeza e manutenção pelo utilizador não devem ser realizadas por crianças sem supervisão.



www.forjas-salvador.com

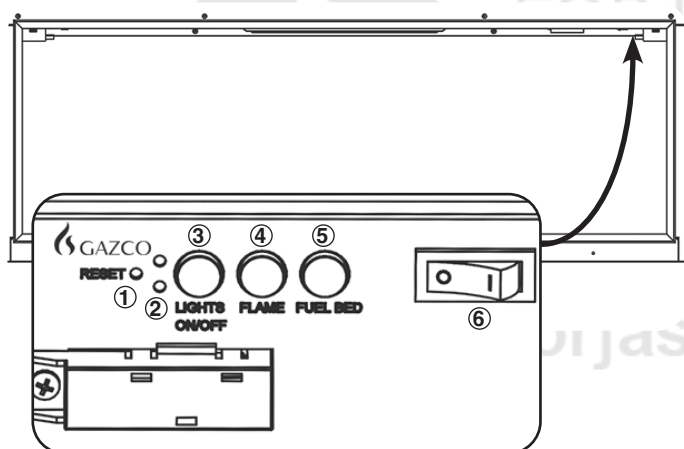
INSTRUÇÕES DE OPERAÇÃO



ADVERTÊNCIA! Não opere o aparelho se estiver danificado ou a funcionar mal. Se você suspeitar que o aparelho está danificado ou com algum defeito, contacte um técnico qualificado para inspecionar o aparelho e substitua qualquer parte do sistema elétrico, se necessário, antes de o voltar a utilizar.

Não desligue a alimentação da rede elétrica enquanto o aparelho estiver a funcionar. Use as funções de controlo remoto para desligar a lareira e certifique-se de que o interruptor principal está na posição off antes de desligar.

PAINEL DE CONTROLO MANUAL



1. Botão de reinicialização remota
2. Indicadores de funcionamento do aquecedor
3. Todas as luzes On/Off
4. Botão de configuração da chama
5. Botão de configuração do leito de combustível
6. On/Off da rede elétrica

OPERAÇÃO DO APARELHO

Pressionar 6 para **Ligar e desligar o aparelho**.



NOTA: Para usar as funções remotas e manuais, o botão ON/OFF manual deve estar na posição 'ON'. Para evitar o sobreaquecimento do produto, existe um atraso de 10s ao ligar e desligar a ventoinha do aquecedor.

O botão manual controla as funções básicas. Use o controlo remoto para executar todas as funções.

Pressionar 3 para **Ligar e desligar a chama e o leito de combustível** ao mesmo tempo.

Pressionar 4 para seleccionar a cor da chama ou retornar à posição OFF.

Existem três opções de cor de chama.

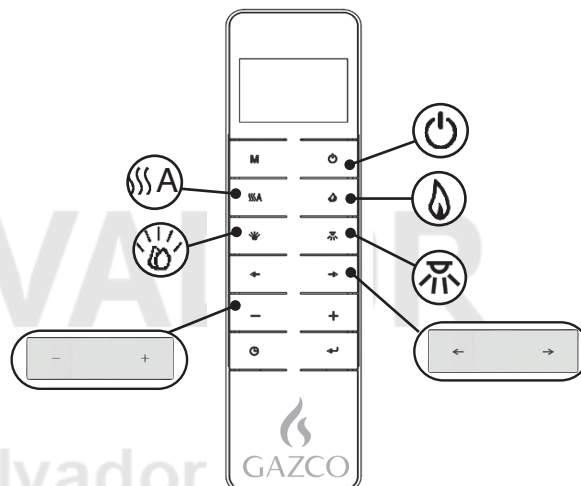
Pressionar 5 para seleccionar a cor do leito de combustível ou retornar à posição OFF.

Existem catorze opções de cor da leito de combustível.

Nota: O aparelho perde a memória para as funções de luz quando o interruptor for colocado na posição Off ou o controlo remoto ficar sem energia.

CONTROLO REMOTO

O controlo remoto deve ser deixado sobre uma superfície plana na divisão onde o aparelho está instalado e afastado de qualquer fluxo direto de ar quente.



- Potência On/Off

- Aquecedor

- Chamas

- Leito de combustível

- Tira de iluminação ambiente

- Opção de cor

- Níveis

OPERAÇÃO DO APARELHO - ARRANQUE RÁPIDO

Ligar e desligar o aparelho

O aparelho arranca na última configuração.

Ligue e desligue o aquecedor.

- Aumentar ou diminuir a saída de calor.

Ligar e desligar o efeito de chama.

- Mudar a opção de cor.

Existem três opções de cor de chama:

- Aumentar ou diminuir o nível de brilho.

Ligar e desligar o efeito de leito de combustível.

← → - Mudar a opção de cor.
Existem catorze opções de cor de leito de combustível:

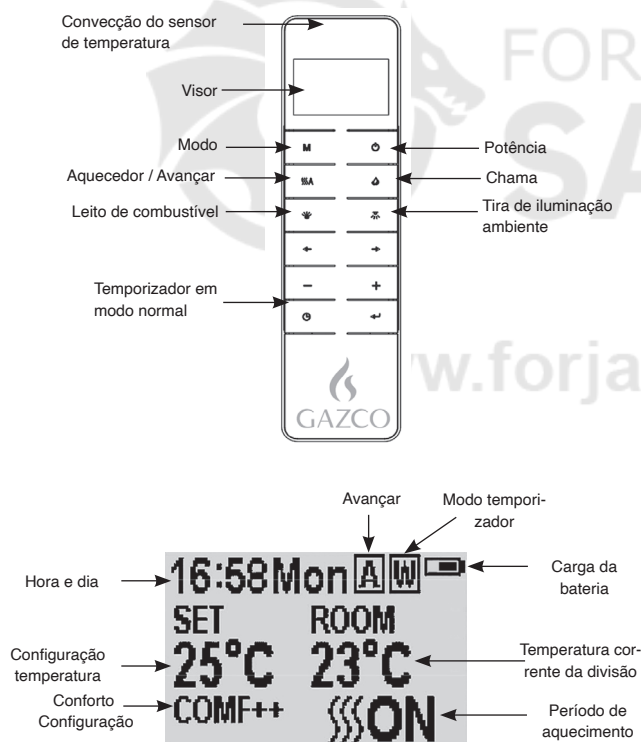
- + - Aumentar ou diminuir o nível de brilho.

Ligar e desligar o efeito de iluminação ambiente.

← → - Mudar a opção de cor.
Existem catorze opções de cor:

- + - Aumentar ou diminuir o nível de brilho.

OPERAÇÃO DO APARELHO - OPERAÇÃO AVANÇADA



Ligar/Desligar

Pressionar o botão para ligar o efeito de chama.

Pressionar o botão para desligar todas as funções no modo de controlo de aquecimento normal.

Pressionar o botão para desligar o efeito da chama no modo de aquecimento do temporizador diário e semanal.

DIAS DA SEMANA / HORA / TEMPERATURA DE CONFORTO E CONFIGURAÇÃO DA UNIDADE

Certifique-se de que o relógio está definido com a hora certa.

Pressionar o botão **M** durante 3 segundos.

Pressionar o botão '←' ou '→' para selecionar a configuração.

O carácter selecionado será destacado.



Pressionar o botão '+' ou '-' para ajustar o número.

Hora: Sistema de 24 horas.
Selecionar a temperatura Comfort entre 15-25°C.
Temperatura unidade: °C/°F.

Pressionar o botão durante 3 segundos ou aguarde 10 segundos para guardar e sair da configuração de semana, hora e temperatura de aquecimento.

TEMPORIZADOR AQUECIMENTO DIÁRIO

Os seguintes períodos de aquecimento foram predefinidos, mas podem ser alterados se desejado:

06:00 até 08:00
17:00 até 22:00

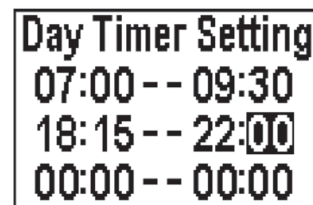
Pressionar o botão **M** até **D** mostrar no canto superior direito do visor.



Manter pressionado o botão durante 6 segundos. Podem ser definidos por dia 3 períodos de aquecimento programados.

Pressionar '←' ou '→' para selecionar as horas e os minutos.

Pressionar '+' ou '-' para ajustar o número. Os minutos aumentam / diminuem 15 minutos por cada pressão.



Manter pressionado o botão durante 3 segundos ou aguarde 10 segundos para guardar e sair da configuração do período de aquecimento.

Pressionar para verificar o modo de temporizador diário.

Para desligar o aquecimento, volte ao modo de controlo normal.

Quando está no modo de temporizador diário e desliga o aparelho com o controlo remoto desliga a iluminação. A saída de calor continua de acordo com as configurações do temporizador.

AJUSTAR A TEMPERATURA DEFINIDA

Pressionar o botão '+' ou '-' para aumentar ou diminuir a temperatura com base na temperatura COMF.

COMF significa que a temperatura real é a mesma que a configuração.

ECO significa que a temperatura real é 2 °C mais baixa do que a temperatura definida.

ECO- significa 4°C mais baixo.


COMF+ significa 2°C mais alto.

COMF++ significa 4°C mais alto.

CONTROLO DE ARRANQUE ADAPTÁVEL

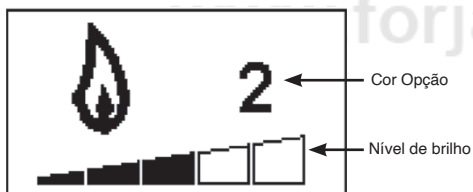
O aquecedor determina automaticamente a hora apropriada para aquecer para garantir que a temperatura definida é atingida no período definido (até 45 minutos antes do tempo definido).

AJUSTAR A COR DA CHAMA

Pressionar o botão .

Existem 3 opções de cor de chama.

Existem 6 níveis de brilho, incluindo off.




Pressionar o botão '<' ou '>' para guardar e sair da configuração de semana, hora e temperatura de aquecimento.

Pressionar o botão '+' para aumentar o brilho da chama.

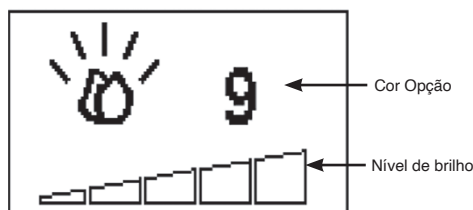
Pressionar o botão '-' para diminuir o brilho da chama até desligar.

AJUSTAR A COR DO LEITO DE COMBUSTÍVEL

Pressionar o botão  para entrar no visor de ajuste da luz do leito de combustível.

Existem 14 opções de cor da leito de combustível.

Existem 6 níveis de brilho, incluindo off.




Pressionar o botão '<' ou '>' para percorrer as opções de cor do leito de combustível.

Pressionar o botão '+' para aumentar o brilho do leito de combustível.

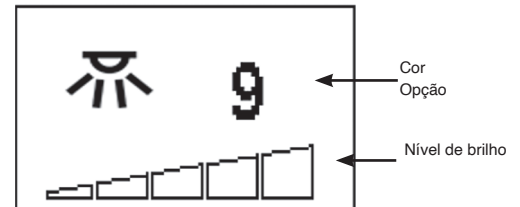
Pressionar o botão '-' para diminuir o brilho do leito de combustível até desligar.

AJUSTAR A COR DO TIRA DE ILUMINAÇÃO AMBIENTE

Pressione  para entrar no visor de ajuste da luz.

Existem 14 opções de cor.

Existem 6 níveis de brilho, incluindo off.



Pressione o botão '<' ou '>' para alternar entre as opções de cor.

Pressione o botão '+' para aumentar o brilho.

Pressione o botão '-' para diminuir o brilho até desligar.


MODO DE CONTROLO NORMAL

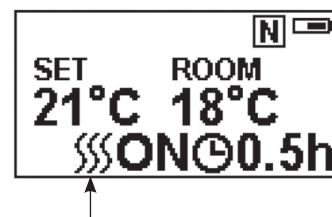
O modo de controlo normal é a configuração por defeito

Pressionar o botão **M** até aparecer **N** o logótipo



Pressionar o botão '+' ou '-' para ajustar a temperatura de configuração de 17 °C a 25°C.

Pressionar o botão  **A** para ligar e desligar o aquecimento.




Nota: É normal que o aquecedor com ventoinha deixe de funcionar durante períodos de tempo. Isto acontece se a temperatura ambiente for superior à temperatura definida no controlo.

O indicador do aquecedor será desligado após 10s se a chama estiver ON. O indicador do aquecedor permanece ON se for usada apenas a função de aquecimento.

Quando está no modo de controlo normal e desliga o aparelho com o controlo remoto, desliga a iluminação e o aquecedor.

TEMPORIZADOR DE CONTAGEM REGRESSIVA

Esta configuração existe apenas no modo de controlo de aquecimento normal. Permite que o aparelho volte ao modo de Standby após um determinado período de tempo. O aquecedor deve estar ligado para usar esta função.

Pressionar  para alternar entre a configuração de Desligado e 0,5 horas a 9 horas. O logótipo do temporizador e o tempo restante serão exibidos no visor.

O aquecedor do aparelho pode ser executado automaticamente usando o temporizador diário e o semanal.

TEMPORIZADOR AQUECIMENTO SEMANAL

Os seguintes períodos de aquecimento foram predefinidos, mas podem ser alterados se desejado:



De Segunda a Sexta
06:00 até 08:30
17:00 até 22:00


De Sábado a Domingo
06:30 até 09:30
11:00 até 13:00
17:00 até 22:00

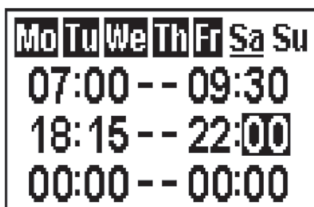
Pressionar **M** até  aparecer.






Manter pressionado o botão  durante 6 segundos.

Pressionar '' ou '' para mover o cursor (um sublinhado intermitente).


Pressionar o botão  na posição da semana correspondente para selecionar (o carácter é destacado) ou cancelar (o carácter é exibido normalmente) a configuração atual, o mesmo período de tempo pode ser selecionado em conjunto.






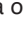
Pressionar o botão '' para mover o cursor para a área de configuração do período de tempo.

Pressionar o botão '' ou '' para selecionar a hora ou os minutos.

Pressionar '+' ou '-' para ajustar o número. Podem ser definidos, no máximo, 3 períodos de aquecimento por dia. Os minutos aumentam / diminuem 15 minutos por cada pressão.

Pressionar  para definir o tempo de aquecimento para o dia selecionado e regressar à linha da semana.

Manter pressionado o botão  durante 3 segundos ou aguarde 10 segundos para guardar e sair da configuração do período de aquecimento.

Pressionar  '' ou '' para verificar a configuração do temporizador para o modo de aquecimento do temporizador semanal.

Para desligar o aquecimento, volte ao modo de controlo normal.

Quando está no modo de temporizador semanal e desliga o aparelho com o controlo remoto desliga a iluminação. A saída de calor continua de acordo com as configurações do temporizador.

AJUSTAR A TEMPERATURA DEFINIDA

Pressionar o botão '+' ou '-' para aumentar ou diminuir a temperatura com base na temperatura COMF.

COMF significa que a temperatura real é a mesma que a configuração.

ECO significa que a temperatura real é 2 °C mais baixa do que a temperatura definida.

ECO- significa 4°C mais baixo.

COMF+ significa 2°C mais alto.

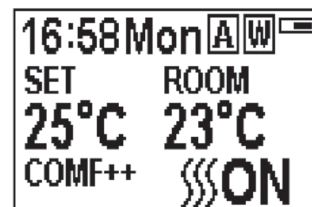
COMF++ significa 4°C mais alto.

CONTROLO DE ARRANQUE ADAPTÁVEL

O aquecedor determina automaticamente a hora apropriada para aquecer para garantir que a temperatura definida é atingida no período definido (até 45 minutos antes do tempo definido).

MODO AVANÇADO

O estado de aquecimento pode ser avançado para o próximo período no modo de aquecimento do temporizador diário e semanal.

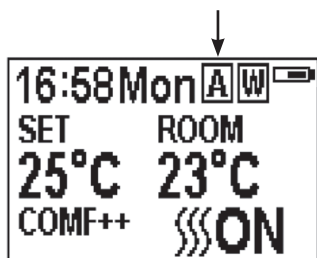


Se o aquecedor estiver ligado no período corrente, pressionar o botão desliga o aquecedor.

Se o aquecedor estiver desligado no período corrente, pressionar o botão liga o aquecedor.

A saída de aquecimento depende da temperatura ambiente e da temperatura configurada.

Pressionar **[[[A** para entrar no modo Avançado no modo de aquecimento do temporizador diário e semanal.



Pressionar **[[[A** novamente ou o período do temporizador termina e sai do modo Avançado.

DETEÇÃO DE JANELA ABERTA

Quando o transmissor deteta uma queda rápida na temperatura ambiente, será considerado que está uma janela aberta: o ícone de aviso será exibido e o aquecimento será desligado automaticamente.



Após a subida da temperatura interior ou da intervenção manual (operando o controlo remoto), retorna ao estado normal de funcionamento.

OPERAÇÃO DO APARELHO - RESOLUÇÃO DE PROBLEMAS

BATERIA

O nível de carga da bateria é indicado no canto superior direito do visor do controlo remoto.

	Bateria cheia	Nenhuma ação requerida
	Bateria com metade da carga	Certifique-se de que tem baterias novas disponíveis.
	Bateria vazia	Substitua as baterias imediatamente

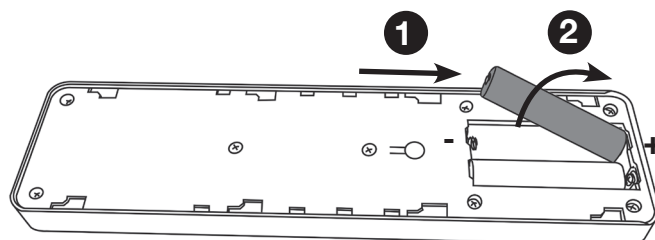
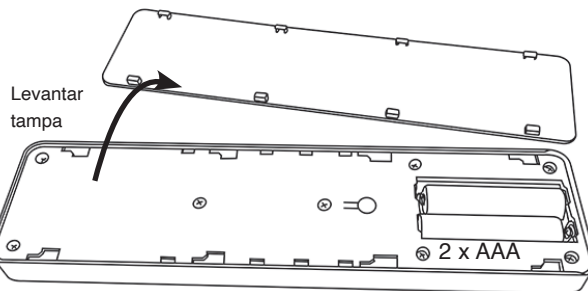


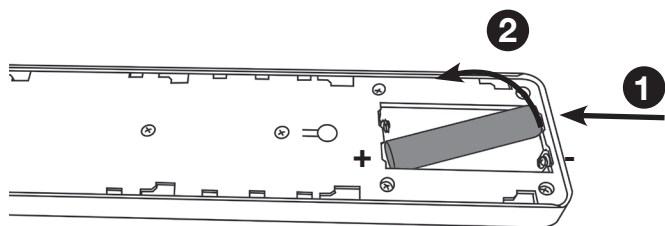
NOTA: O controlo remoto tem um indicador de estado da bateria (canto superior direito), e após um longo período de exibição vazia, o visor de LED deixa de funcionar, apesar do aparelho ainda conseguir enviar comandos. Substitua as baterias para repor a exibição.

SUBSTITUIÇÃO DA BATERIA

As baterias gastas devem ser removidas do aparelho e eliminadas com segurança.

Deslizar tampa →





Certifique-se de que as baterias do aparelho são novas e foram inseridas corretamente.

Elimine as baterias usadas numa instalação de reciclagem apropriada.

É recomendado substituir a bateria anualmente.
O controlo remoto requer duas pilhas AAA alcalinas de 1,5 V.

Certifique-se da polaridade correta.
Não provoque curto-circuito nos terminais.

Não tente recarregar baterias não recarregáveis.

Remova as baterias recarregáveis antes de as carregar.

Não misture pilhas usadas com novas.

Remova as pilhas se o aparelho não for usado durante longos períodos.

A substituição das baterias não afetará as configurações do Modo Temporizador.
Certifique-se de que o relógio está definido com a hora certa.



NOTA: Para usar as funções remotas e manuais, o botão ON/OFF manual deve estar na posição 'ON'. Para evitar que o produto aqueça muito, existe um atraso de 10s ao ligar o aquecedor e um atraso de 10s ao desligar a ventoinha do aquecedor.

O botão manual controla as funções básicas, não uma gama completa de controlos. Use o controlo remoto para executar todas as funções.

INDICADORES DE FUNCIONAMENTO DO AQUECEDOR

Quando o aquecedor com ventoinha é usado em conjunto com os efeitos da chama ou do leito de combustível, os indicadores de funcionamento do aquecedor acendem durante 10 segundos.

O LED acende durante 10 segundos se o efeito da chama ou do leito de combustível estiver ON.

Se o aquecedor com ventoinha for usado independentemente, os indicadores de funcionamento do aquecedor permanecem acesos.

BOTÃO DE REINICIALIZAÇÃO PARA CONTROLO REMOTO

Se o aparelho perder o sinal ou precisar de ser substituído, consulte a Secção de Serviços para mais detalhes.

CÓDIGO DE SINALIT

O transmissor portátil é configurado na fábrica com um código de sinal exclusivo.

IMPORTANTE: Se o aparelho perder o sinal ou precisar de ser substituído, consulte a Secção de Serviços para mais detalhes.

MANUTENÇÃO

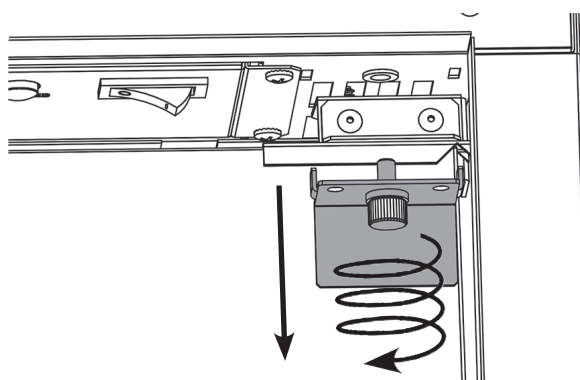
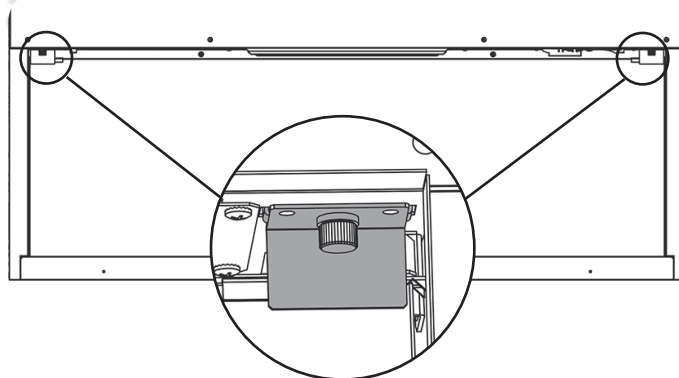
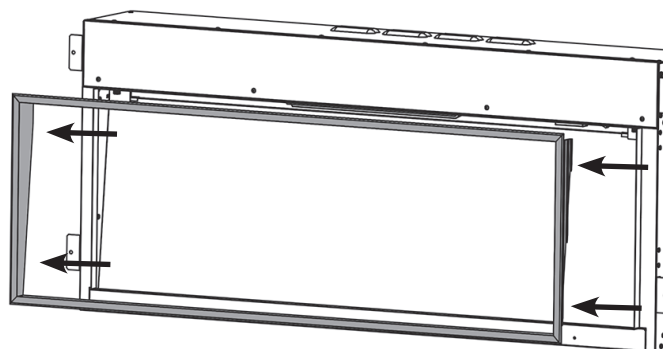
CERTIFIQUE-SE DE QUE O APARELHO ESTÁ DESLIGADO ANTES DE O LIMPAR.

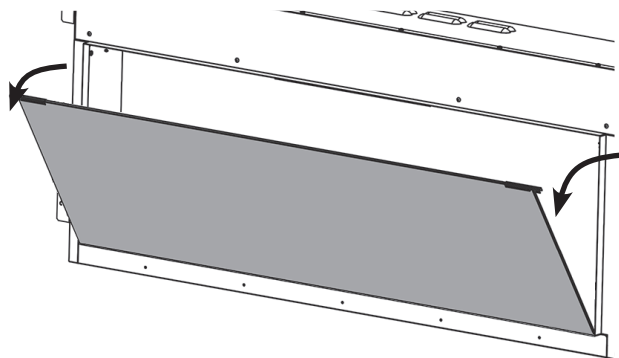
LIMPEZA DO VIDRO

Limpe o painel de visualização de vidro com um pano húmido e seque com um pano que não deixe fiapos.

Cuidado: Não use produtos de limpeza abrasivos no painel de vidro. Não borrife líquidos diretamente sobre a unidade.

LIMPEZA DO EFEITO DE COMBUSTÍVEL





Remova e lave o efeito de combustível para limpar todas as partículas de poeira.

Em alternativa, limpe com um espanador que não solte fiapos.

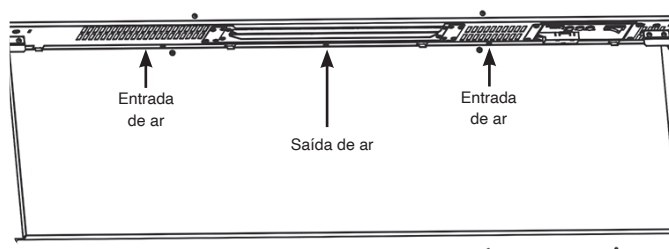
Certifique-se de que o efeito está seco antes de voltar a colocar.

Substitua o efeito de combustível, consulte a Secção 5 das Instruções de Instalação para obter o esquema.

Substitua pela ordem inversa.

LIMPEZA DAS ENTRADAS DE AR

Limpe regularmente as grelhas de entrada e saída de ar com um pano macio ou com o bico do aspirador.



A acumulação de poeira pode prejudicar o desempenho eficiente da ventoinha e levar a uma operação não segura.

Mantenha a área em volta do aparelho limpa e livre de algodão, poeira ou de pelos de animais domésticos.

Em particular, pode ocorrer acumulação de poeira, etc. em torno da área do aquecedor. Preste atenção especial e mantenha esta área livre destas partículas e evite a sua acumulação.

INSTALAÇÃO

GERAL

FERRAMENTAS REQUERIDAS

Serão necessárias, chave de fendas, nível de bolha, serra e broca.

DESEMBALAR A LAREIRA

ADVERTÊNCIA! NÃO use este aparelho se alguma das suas partes tiver sido exposta à água.

Contacte imediatamente um técnico de serviço qualificado para, se necessário, inspecionar e substituir qualquer parte do sistema elétrico.

Abra a embalagem com cuidado e retire o poliestireno. Remova e elimine o saco plástico. Mantenha a embalagem plástica fora do alcance das crianças. Seja responsável ao manusear os materiais da embalagem.

Verifique se todas as peças e acessórios foram removidos antes de eliminar qualquer embalagem. Se necessário, guarde a embalagem original para transporte e/ou armazenamento futuro.

Teste o aparelho antes da instalação.

INSTALAÇÃO O APARELHO

LOCALIZAR O ESTUDIO

O seu novo eStudio pode ser instalado virtualmente em qualquer lugar da sua casa. No entanto, ao escolher um local, certifique-se de que as instruções gerais são seguidas.

Para obter melhores resultados, instale afastado da luz solar direta.

Idealmente, o aquecedor deve ser instalado em/sobre uma parede plana interior construída com vigas e blocos de gesso/tijolos. As fixações fornecidas são para usar APENAS em paredes de tijolo. Certifique-se de que são usadas fixações adequadas para a fixação em qualquer cavidade oca ou construída para este efeito.

NOTA: Este aparelho não é adequado para instalação numa parede de cavidade, apoiado numa parede exterior, uma chaminé aberta ou qualquer abertura que possa estar sujeita a humidade e a correntes de ar, exceto se tiverem sido tomadas as devidas precauções para evitar que o aparelho entre em contacto com humidade ou correntes de ar. Nestas instalações, qualquer chaminé existente e/ou aberturas de ventilação para fins específicos devem ser totalmente vedadas.

Certifique-se de que não existem tubos ou cabos atrás da área a ser perfurada ou cortada.

Certifique-se sempre de que o aparelho está adequadamente apoiado e assente numa estrutura firme ao montar acima do nível do solo.

O aparelho deve estar idealmente localizado próximo de uma tomada adequada para permitir a sua ligação. Pode ser realizada uma extensão a partir de uma tomada existente, mas esta deve ser realizada por um técnico electricista qualificado. A tomada elétrica deve estar facilmente acessível para permitir desligar o aparelho quando instalado.

Se o cabo elétrico estiver danificado, deve ser reparado pelo fabricante, num centro de serviço autorizado ou por um profissional.

Certifique-se que as cortinas e os móveis não estão posicionados próximos da posição escolhida, pois isto criaria um risco potencial de incêndio ou bloquearia as condutas de saída do aquecedor.

ADVERTÊNCIA! MANTENHA TODOS OS MATERIAIS COMBUSTÍVEIS A PELO MENOS 1M DA FRENTE DA LAREIRA ELÉTRICA.

REQUISITOS DE SERVIÇO



DURANTE A MANUTENÇÃO DESTA APARELHO, PODE SER NECESSÁRIO CORTAR AS FITAS DE CABO PARA ACEDER E REMOVER ALGUMAS PEÇAS. ESTAS DEVEM SER SUBSTITUÍDAS QUANDO O APARELHO FOR MONTADO NOVAMENTE.

ESTE APARELHO DEVE SER REPARADO APENAS POR TÉCNICOS QUALIFICADOS.

ANTES DE REALIZAR QUALQUER TRABALHO NO APARELHO: DESLIGUE O APARELHO E ISOLE A ALIMENTAÇÃO ASSEGURANDO QUE NÃO PASSA ENERGIA PARA O APARELHO.

Aguarde pelo menos 10 minutos até que o aparelho arrefeça.

Substituição da bateria do aparelho remoto

Substitua com 2 pilhas AAA. Certifique-se de que as pilhas estão instaladas corretamente no controlo remoto.



NOTA: O controlo remoto tem um indicador de estado da bateria (canto superior direito), e após um longo período de exibição vazia, o visor de LED deixa de funcionar, apesar do aparelho ainda conseguir enviar comandos. Substitua as baterias para repor a exibição.

Manutenção de motores

O motor usado no efeito da chama é pré-lubrificado para prolongar a vida útil do rolamento e não requer mais lubrificação. No entanto, recomenda-se a limpeza/aspiração periódica da unidade de aquecimento.

Reinício do interruptor de corte térmico

O aparelho está equipado com um Controlo de Segurança Eletrónico (E.S.). Este é um dispositivo de segurança que desliga a lareira se, por algum motivo, o aparelho sobreaquecer, por ex. se coberto.

Se o aquecedor deixar de funcionar mas o efeito da chama continuar normalmente, isso indica que o controlo E.S. está em operação. O Controlo E.S. só pode ser reiniciado depois do aparelho arrefecer.

Para reiniciar o E.S.:

Desligue o aparelho (interruptor on/off manual) e deixe aguardar aproximadamente 120 minutos.

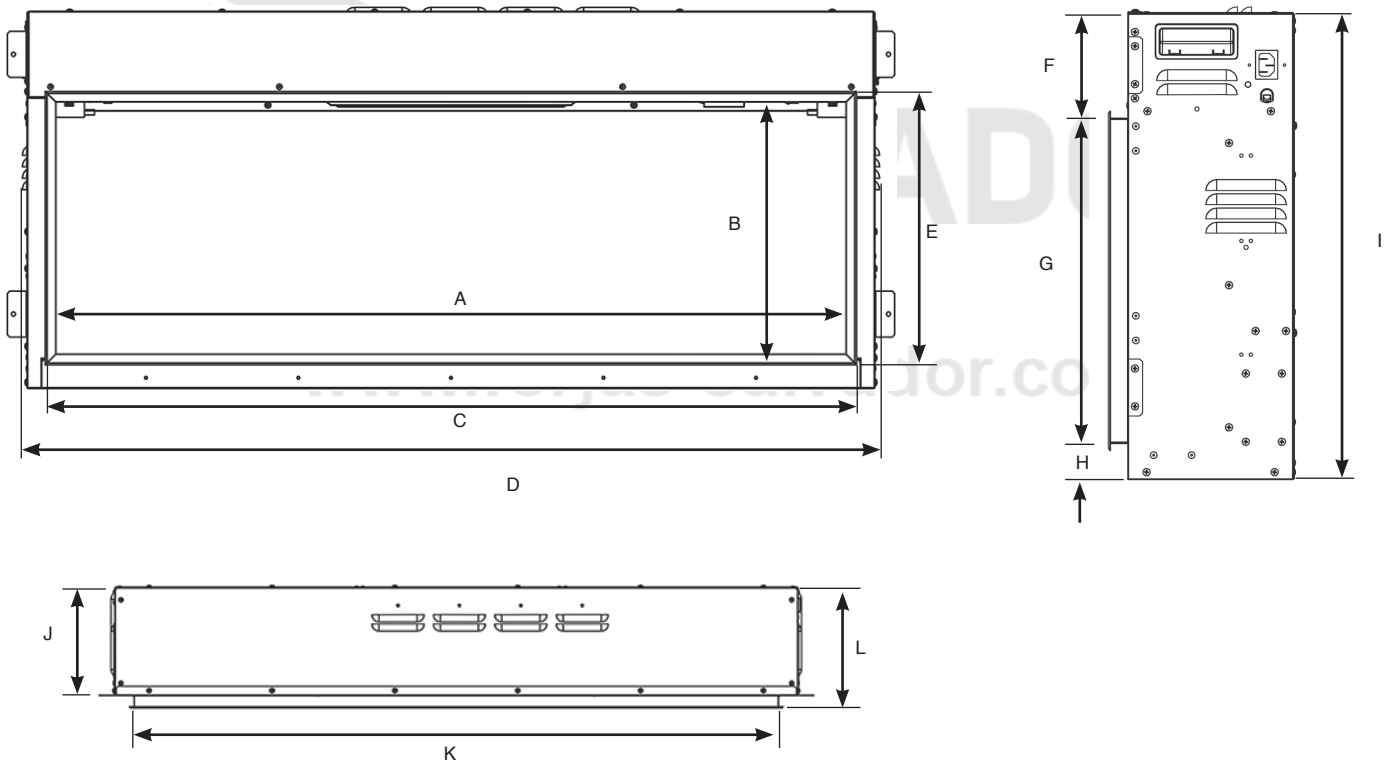
Remova qualquer obstrução da saída da ventoinha do aquecedor ou de outras peças internas.

Ligue o aparelho e o Controlo E.S. será reiniciado. Certifique-se de que o aparelho está a funcionar corretamente. Se o Controlo E.S. funcionar novamente, o aparelho deve ser verificado por um electricista qualificado.

GB: TECHNICAL SPECIFICATION
 FR: SPÉCIFICATIONS TECHNIQUES
 DE: TECHNISCHE DATEN
 NL: TECHNISCHE SPECIFICATIES
 IT: SPECIFICHE TECNICHE
 NO: TEKNISKE SPESIFIKASJONER
 ES: ESPECIFICACIÓN TÉCNICA

GR: ΤΕΧΝΙΚΗ ΠΕΡΙΓΡΑΦΗ
 IL: מפרט טכני
 LV: TEHNISKIE RĀDĪTĀJI
 RU: РАЗМЕРЫ
 LU: TECHNESCH DATEN
 PT: ESPECIFICAÇÕES TÉCNICAS

eSTUDIO 60R	eSTUDIO 85R	eSTUDIO 105R	eSTUDIO 135R	eSTUDIO 165R
223-403	223-417	223-439	223-465	223-476



	A	B	C	D	E	F	G	H	I	J	K	L
eStudio 60R	600	600	628	688	628	112	614	38	764	204	614	225
eStudio 85R	836	330	864	924	358	112	344	38	494	175	850	196
eStudio 105R	1036	330	1064	1124	358	112	344	38	494	175	1050	196
eStudio 135R	1336	330	1364	1424	358	112	344	38	494	175	1350	196
eStudio 165R	1574	330	1602	1662	358	112	344	38	494	175	1588	196

GB: CONTROL SYSTEM TECHNICAL DATA
 FR: DONNÉES TECHNIQUES DU SYSTÈME DE COMMANDE
 DE: TECHNISCHE DATEN
 NL: CONTROLESYSTEEM TECHNISCHE DATA
 IT: DATI TECNICI DEL SISTEMA DI CONTROLLO
 NO: KONTROLLSYSTEM TEKNISK DATA
 ES: DATOS TÉCNICOS DEL SISTEMA DE CONTROL

GR: ΤΕΧΝΙΚΑ ΔΕΔΟΜΕΝΑ ΤΟΥ ΣΥΣΤΗΜΑΤΟΣ ΕΛΕΓΧΟΥ
 IL: מערכת בקרה מידע טכני
 LV: VADĪBAS SISTĒMAS TEHNISKIE DATI
 RU: ТЕХНИЧЕСКИЕ ДАННЫЕ СИСТЕМЫ УПРАВЛЕНИЯ
 LU: STEIERUNGSSYSTEM – TECHNESCH DATEN
 PT: DADOS TÉCNICOS DO SISTEMA DE CONTROLO

	GB: Main Control Board FR: Tableau de commande principal DE: Hauptsteuerplatine NL: Hoofdbedieningstafel IT: Pannello di controllo principale NO: Hoved-kontrollkort ES: Placa de control principal GR: Κύρια πλακέτα ελέγχου IL: כוח תמסורת מקימלי LV: Galvenā vadības pults RU: Главная плата управления LU: Haaptsteuerungsplatinn PT: Placa de controlo principal	GB: Remote Receiver Board FR: Tableau du récepteur à distance DE: Empfängerplatine NL: Afstandontvangstafel IT: Scheda ricevitore remoto NO: Fjernmottager-kort ES: Placa receptora a distancia GR: Πλακέτα δέκτη τηλεχειρισμού IL: לוח מקלט ווו LV: Tālvadības uztvērēja pults RU: Плата дистанционного приемника LU: Extern Empfängerplatinn PT: Placa do recetor remoto	GB: Remote Control FR: Commande à distance DE: Fernbedienung NL: Afstandsbediening IT: Telecomando NO: Fjernkontroll ES: Mando a distancia GR: Τηλεχειριστήριο IL: לוח שליטה ראשי LV: Tālvadība RU: Пульт дистанционного управления LU: Fernsteuerung PT: Controlo remoto
Hardware GR: Υλικό (Hardware) IL: חומרה LV: Aparatūra RU: Аппаратное обеспечение	RC01-043A03 V0.	RF290B V1.2	RF290A-TX V1.3
Software FR: Logiciel GR: Λογισμικό (Software) IL: תוכנה LV: Programmatūra RU: Программное обеспечение	RC01-043A03 V0.	-	RF290C V06.0.HEX
GB: Frequency FR: Fréquence DE: Frequenz NL: Frequentie IT: Frequenza NO: Frekvens ES: Frecuencia GR: Συχνότητα IL: רם LV: Frekvence RU: Частота LU: Frequenz PT: Frequência	-	-	ASK/OOK 433.92MHz
GB: Maximum Transmit Power FR: Puissance de transmission maximum DE: Maximale Sendeleistung NL: Maximale zendkracht IT: Massima potenza di trasmissione NO: Maksimal sendestrom ES: Potencia máxima de transmisión GR: Μέγιστη ισχύς μετάδοσης IL: כוח תמסורת מקימלי LV: Maksimālā raidītāja jauda RU: Максимальная передаваемая мощность LU: Maximal iwtermëttelt Leeschtung PT: Potência máxima de transmissão	-	-	10mW

GB: TECHNICAL SPECIFICATION

FR: SPÉCIFICATIONS TECHNIQUES

DE: TECHNISCHE DATEN

NL: TECHNISCHE SPECIFICATIES

IT: SPECIFICHE TECNICHE

NO: TEKNISKE SPESIFIKASJONER

ES: ESPECIFICACIÓN TÉCNICA

GR: ΤΕΧΝΙΚΗ ΠΕΡΙΓΡΑΦΗ

IL: מפרט טכני

LV: TEHNISKIE RĀDĪTĀJI

RU: РАЗМЕРЫ

LU: TECHNESH DATEN

PT: ESPECIFICAÇÕES TÉCNICAS

eStudio 60R	1830 - 2000 Watts
eStudio 85R	1830 - 2000 Watts
eStudio 105R	1830 - 2000 Watts
eStudio 135R	1830 - 2000 Watts
eStudio 165R	1830 - 2000 Watts

EN: A 230-240VAC 13 Amp 50Hz supply is required
Maximum power consumption:
A 1.8 metre lead with plug containing a BS1362 13A fuse is supplied. Only use a BS1362 13A fuse with this appliance.
2 x Remote control handset battery (AAA).

FR: Une alimentation électrique de 230-240VAC, 50Hz est requise.
La consommation électrique maximale:
L'appareil est fourni avec un câble électrique de 1,80 m de long équipé d'une prise de courant.
2 x Pile de la commande à distance (AAA).

DE: Es ist eine Stromversorgung mit 230-240 VAC 50 Hz erforderlich
Maximale Leistungsaufnahme:
Ein Kabel mit 1,8 m Länge sowie Stecker.
2 x Batterie für die Fernbedienung (AAA).

NL: Een 230-240VAC, 13A, 50 Hz voeding is vereist.
Maximaal energieverbruik:
Er wordt een kabel van 1.8 meter met een stekker
2 x Batterij afstandsbediening (AAA).

IT: È necessaria un'alimentazione da 230-240VAC, 50Hz
Consumo di corrente massimo:
Viene fornito un cavo di 1,8 m con una spina.
2 x Batteria del telecomando (AAA).

NO: Det kreves 230-240VAC 50Hz strømtilførsel
Maksimum strømforbruk:
En 1,8 m lang ledning med støpsel.
2 x Batteri til fjernkontrol (AAA).

ES: Se requieren 230-240VAC y 50Hz
Máximo consumo:
Se suministra un cable de 1,8 metros con enchufe.
2 x Batería (AAA).

GR: Απαιτείται παροχή 230-240V AC 50Hz
Μέγιστη κατανάλωση ισχύος:
Παρέχεται: καλώδιο μήκους 1,8 μ.
2 μπαταρίες (AAA) για το τηλεχειριστήριο.

IL: מקור מתח נדרש: 230 ± 10% A13
צריכת חשמל מקסימלית: 50Hz
המכשיר חייב להיות מוארך
IEC C13 וכבל 2 מטר עם תקע
מסופק עם המכשיר
X 2 סוללות שלט (AAA).

LV: Nepieciešama 230-240VAC 150Hz elektropiegāde
Maksimālais jaudas patēriņš:
1,8 metru garš pagarinātājs ar spraudkontakta.
2 x tālvadības pults baterijas (AAA).

RU: Требования к электросети: ~ 230В, 50 Гц
Максимальная потребляемая мощность:
В комплект поставки входит электропровод длиной 1,8 м со штепселем.
2 x элемента питания типа AAA для устройства дистанционного управления

LU: Eng Versuergung vun 230 – 240 V AC 50 Hz ass erfuerderlech
Maximale Stromverbrauch:
En 1,8-Meter-Kabel mat Stecker.
2 x Fernsteuerungsbatterie (AAA).

PT: É requerida uma alimentação a 230-240VCA 50Hz
Consumo máximo de energia:
É fornecido um cabo de 1,8 metros com.
2 x pilhas do controlo remoto (AAA).

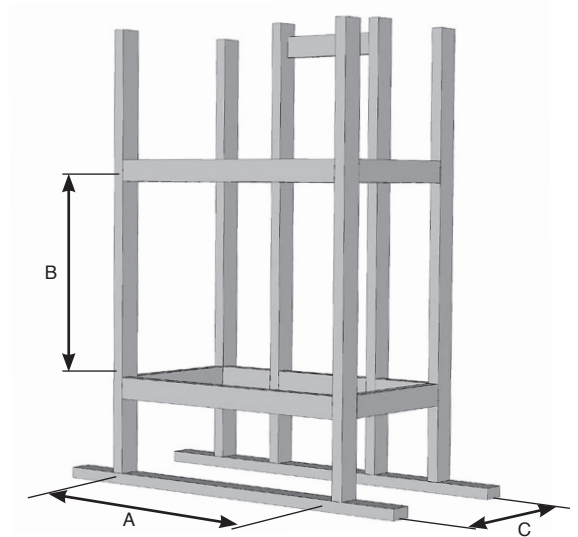
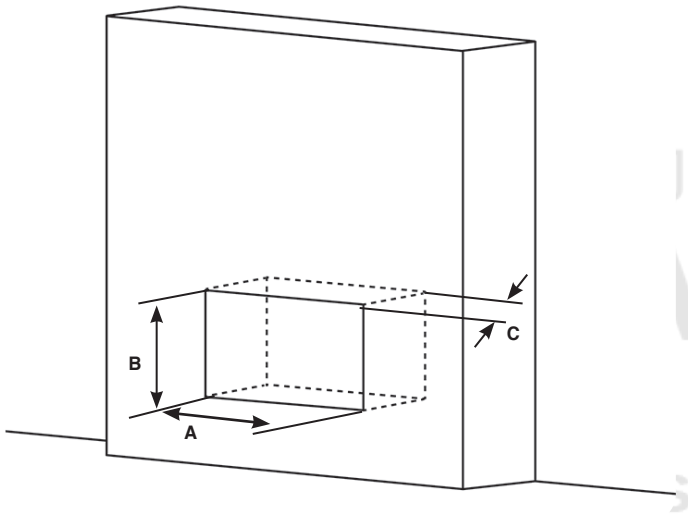
GB: PACKING CHECKLIST
 FR: LISTE DE VÉRIFICATION DU CONDITIONNEMENT
 DE: VERPACKUNGSPRÜFLISTE
 NL: PAKLIJST
 IT: ELENCO DI IMBALLAGGIO
 NO: PAKKSEDEL OG SJEKKLISTE
 ES: LISTADO DEL EMBALAJE

GR: ΛΙΣΤΑ ΕΛΕΓΧΟΥ ΠΕΡΙΕΧΟΜΕΝΩΝ ΣΥΣΚΕΥΑΣΙΑΣ
 IL: תכולת אריזה
 LV: IERAKOJUMA KONTROLES PUNKTU SARAKSTS
 RU: СОДЕРЖИМОЕ УПАКОВКИ
 LU: PAKLËSCHTSCHECKLËSCHT
 PT: LISTA DE VERIFICAÇÃO DE EMBALAGEM

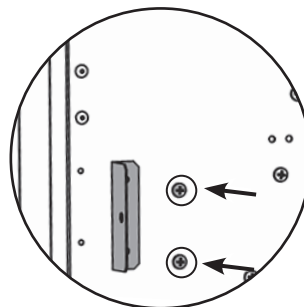
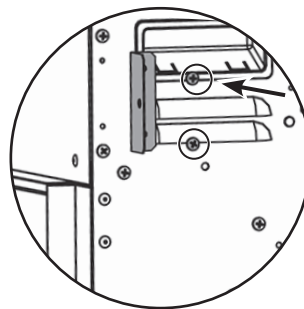
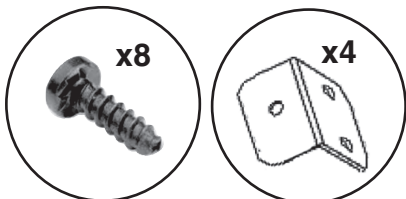
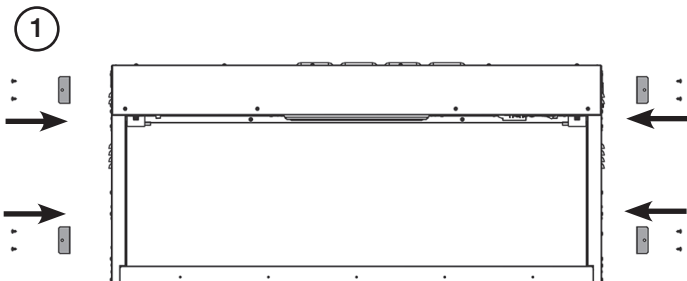


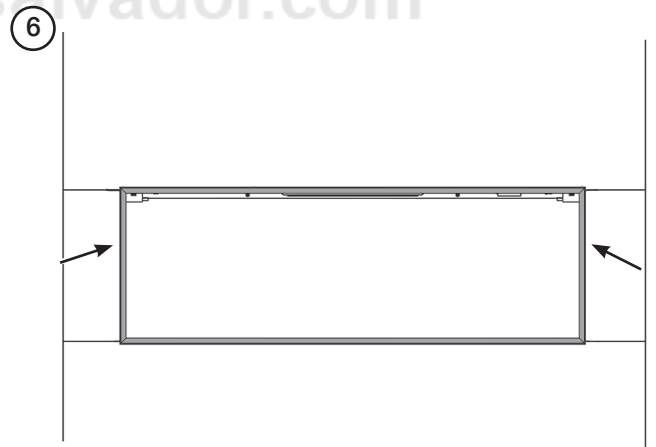
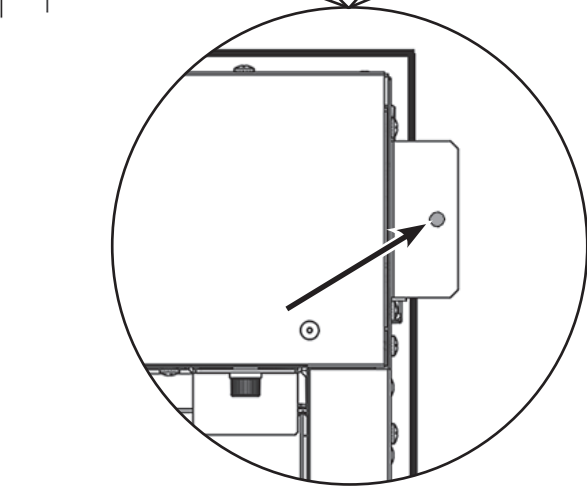
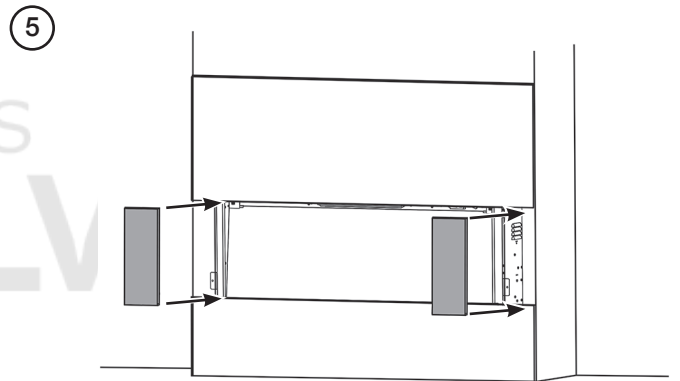
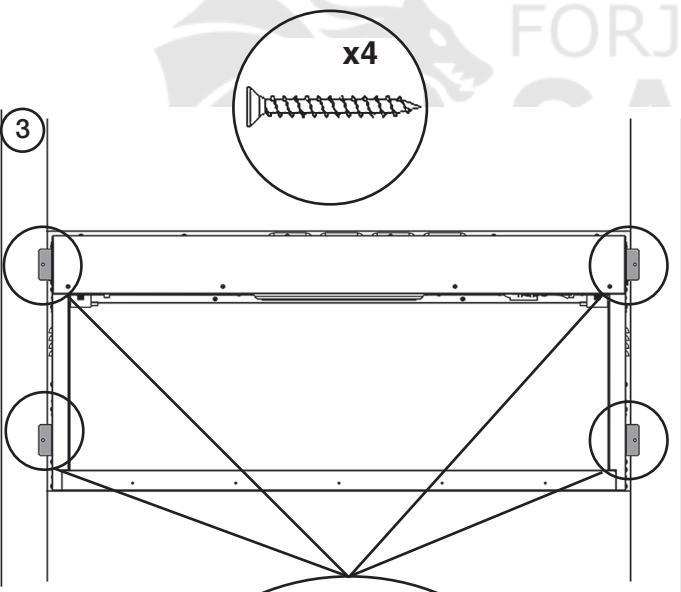
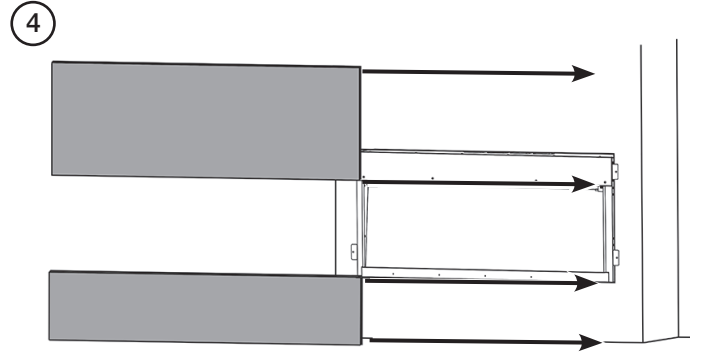
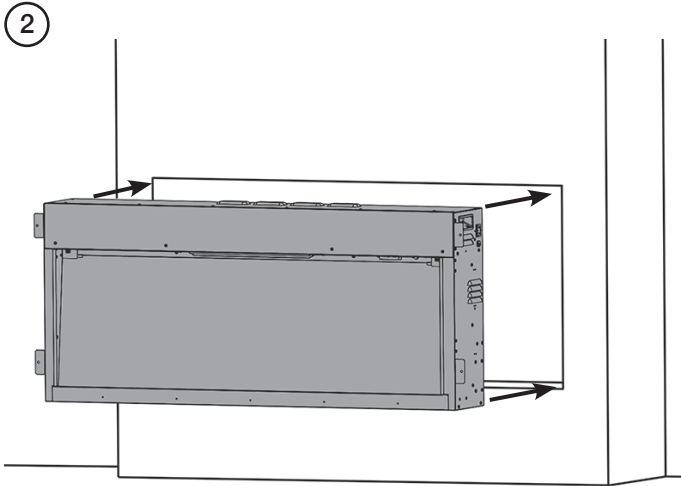
GB: INSTALLATION
 FR: INSTALLATION
 DE: EINBAU
 NL: INSTALLATIE
 IT: INSTALLAZIONE
 NO: INSTALLASJON
 ES: INSTALACIÓN

GR: ΕΓΚΑΤΑΣΤΑΣΗ
 IL: התקנה
 LV: UZSTĀDĪŠANA
 RU: УСТАНОВКА
 LU: INSTALLATIOUN
 PT: INSTALAÇÃO



	A	B	C
eStudio 60R	705	790	223
eStudio 85R	941	520	193
eStudio 105R	1141	520	193
eStudio 135R	1441	520	193
eStudio 165R	1679	520	193





GB: OPTIONAL LED MOOD LIGHTING
 FR: ÉCLAIRAGE D'AMBIANCE LED EN OPTION
 DE: OPTIONALE LED-STIMMUNGSBELEUCHTUNG
 NL: OPTIONELE LED-SFEERVERLICHTING
 IT: ILLUMINAZIONE EMOZIONALE A LED OPZIONALE
 NO: ALGFRI LED SETMNINGSBELYSNING
 ES: ILUMINACIÓN AMBIENTAL OPCIONAL CON LED

GR: ΠΡΟΑΙΡΕΤΙΚΟΣ ΑΤΜΟΣΦΑΙΡΙΚΟΣ ΦΩΤΙΣΜΟΣ
 IL: תאורת אווירה אופציונלית LED
 LV: PAPILDU LED GARASTĀVOKĻA APGAISMOJUMS
 RU: ДЕКОРАТИВНАЯ ПОДСВЕТКА (ПОСТАВЛЯЕТСЯ ОТДЕЛЬНО)
 LU: OPTIONAL LED-STĒMMUNGSBELIICHTUNG
 PT: ILUMINAÇÃO LED OPCIONAL

GB: The eStudio can be enhanced by an optional LED Mood Lighting Strip.

FR: Une bande lumineuse LED d'ambiance, en option, peut étoffer

DE: Der eStudio kann wahlweise durch eine LED-Stimmungsbeleuchtung erweitert werden.

NL: De eStudio kan worden uitgebreid met een optionele LED-sfeerverlichting.

IT: eStudio può essere arricchito da una striscia luminosa emozionale a LED opzionale.

NO: eStudio kan forbedres med en valgfri LED lysstripe.

ES: El modelo eStudio puede mejorarse con una cinta opcional de iluminación ambiental LED.

GR: Το eStudio μπορεί να ενισχυθεί με μια προαιρετική Ταινία Ατμοσφαιρικού Φωτισμού LED.

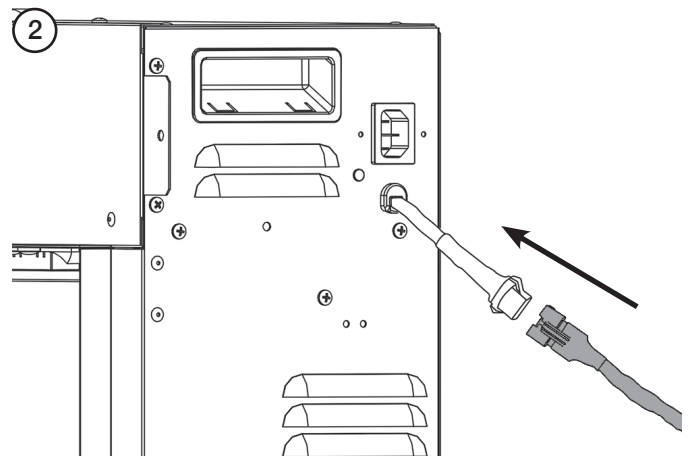
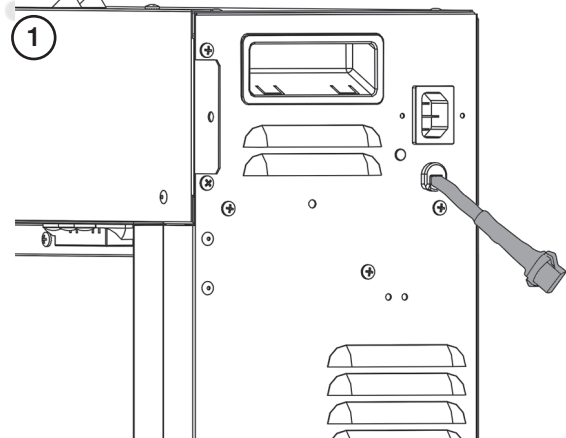
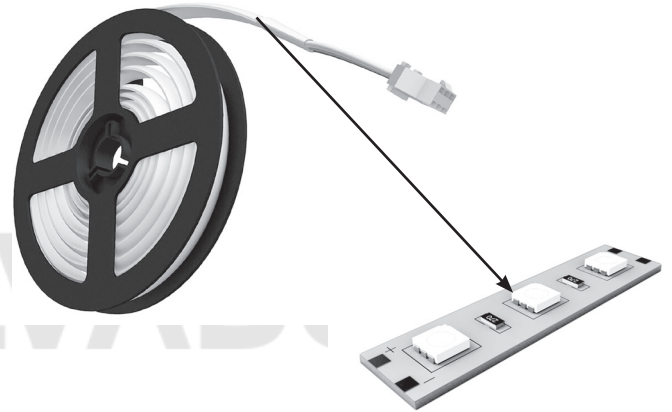
IL: eStudio יוכל להתגבר ע"י רצועת תאורת האווירה LED

LV: eStudio var uzlabot, izmantojot papildu LED garastāvokļa apgaismojuma lentu.

RU: По желанию клиента прибор eStudio может быть поставлен со светодиодной декоративной подсветкой.

LU: Den eStudio ka mat enger optionaler LED-Stëmmungsbeliichtungsläischtt erweidert ginn.

PT: O eStudio pode ser melhorado com uma Tira de iluminação ambiente LED opcional.



GB: ACCESSING THE FUEL BED

FR: ACCÈS AU LIT DE COMBUSTIBLE

DE: OPTIONALE LED-STIMMUNGSBELEUCHTUNG

NL: TOEGANG TOT HET BRANDSTOFBED

IT: ACCESSO AL CROGIOLO DI COMBUSTIONE

NO: TILGANG TIL BRENNKAMMERET

ES: ACCESO AL LECHO DE COMBUSTIBLE

GR: ΠΡΟΣΒΑΣΗ ΣΤΗΝ ΚΛΙΝΗ ΚΑΥΣΙΜΟΥ

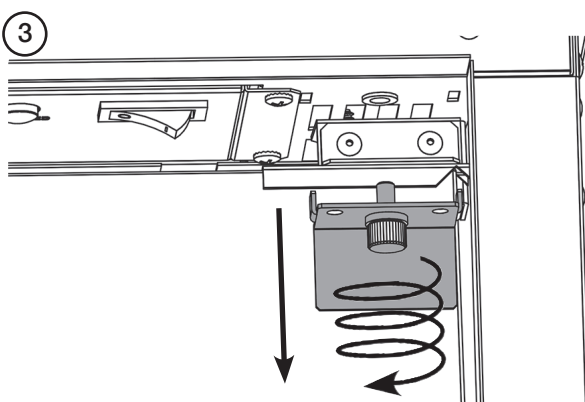
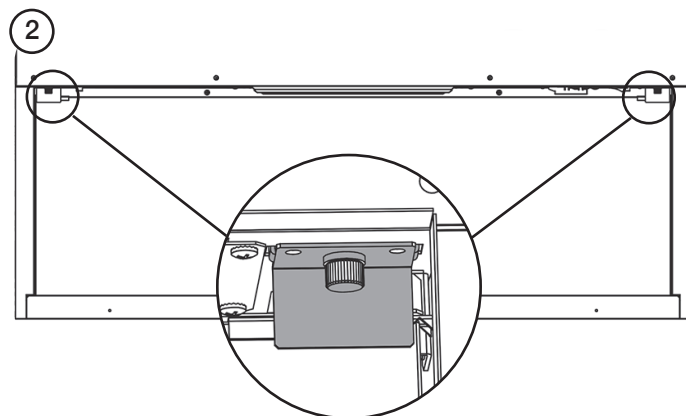
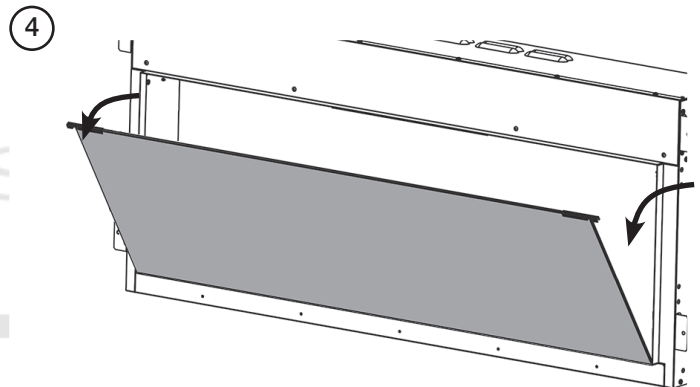
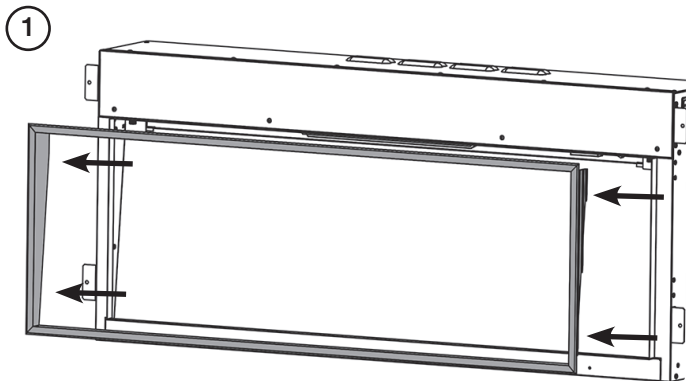
IL: נגישות למיכל הדלק

LV: PIEKĻUVE DEGOŠAJAM SLĀNIM

RU: ДОСТУП К ОЧАГУ ТОПКИ

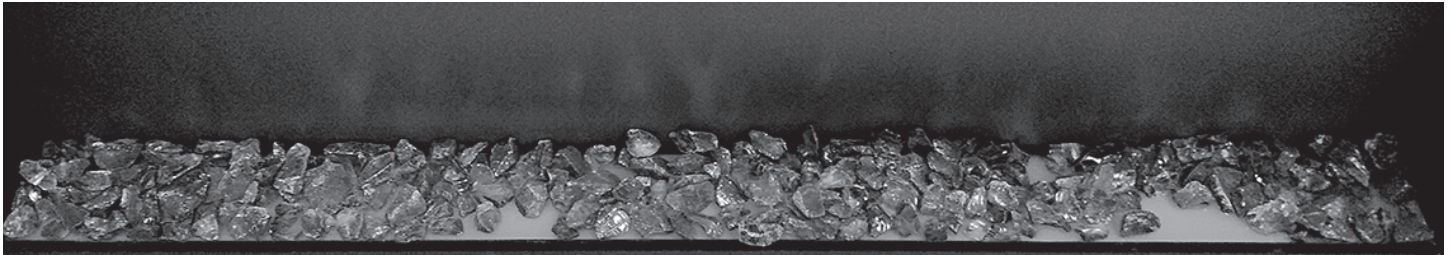
LU: ZOUGANG ZUM BRENNSTOFFBETT

PT: ACESSO AO LEITO DE COMBUSTÍVEL



GB: GLASS EMBERS
 FR BRAISES DE VERRE
 DE: GLASGLUT
 NL: GLAZEN SINTELS
 IT: CIOCCHI IN VETRO
 NO: GLASSGLØR
 ES: BRASAS DE VIDRIO

GR: ΔΙΑΚΟΣΜΗΤΙΚΑ ΚΑΡΒΟΥΝΑ
 IL: גחלי זכוכית
 LV: STIKLA OGLES
 RU: РАСПОЛОЖЕНИЕ ПОЛЕНЬЕВ
 LU: GLASGLOUS
 PT: BRASAS EM VIDRO



GB: Spread the Glass Embers evenly over the fuel bed.
 Note: The Ember Logs (See Log Layout) will rest directly on the fuel bed).

FR: Répartissez les braises de verre sur le lit de combustible.
 Remarque : les bûches de charbon (voir l'agencement des bûches) reposeront directement sur le lit de combustible.

DE: Verteilen Sie die Glasglut gleichmäßig über das Brennstoffbett.
 Hinweis: Die Holzscheite (siehe Anordnung der Holzscheite) liegen direkt auf dem Brennstoffbett auf.

NL: Verdeel de glazen sintels gelijkmatig over het brandstofbed.
 Opmerking: De glazen blokken (zie blokken-layout) rusten direct op het brandstofbed.

IT: Disporre i ciocchi in vetro in maniera uniforme sul crogiolo di combustione.
 Nota: I ceppi (si veda lo schema dei ceppi) saranno appoggiati direttamente sul crogiolo di combustione).

NO: Spre glassglørne jevnt utover brennkammeret.
 Merk: Glasskubbene (se kubbeoppsett) ligger rett på brennkammeret.

ES: Distribuya las brasas de vidrio de manera uniforme en el lecho de combustible.
 Nota: Los leños encendidos (consulte la sección Distribución de los leños) se apoyan directamente sobre el lecho de combustible.

GR: Απλώστε τα γυάλινα διακοσμητικά κάρβουνα ομοιόμορφα πάνω στην κλίνη καυσίμου.
 Σημείωση: Τα διακοσμητικά ξύλα (Δείτε Διάταξη ξύλων) τοποθετούνται απευθείας πάνω στην κλίνη καυσίμου.



IL: פזר את גחלי הזכוכית באופן שווה מעל מיכל הדלק. זהו כבל באורך של 3 מטרים שיכול להיות מונח לפי בחירתך. שים לב: בולי העץ (ראה הנחת בולי העץ) ימוקמו ישירות על מיכל הדלק.

LV: Vienmērīgi izkaisiet stikla ogles uz degošā slāņa.
 Piezīme: pagales (skat. pagaļu izvietojumu) novietojamas uzreiz uz degošā slāņa).

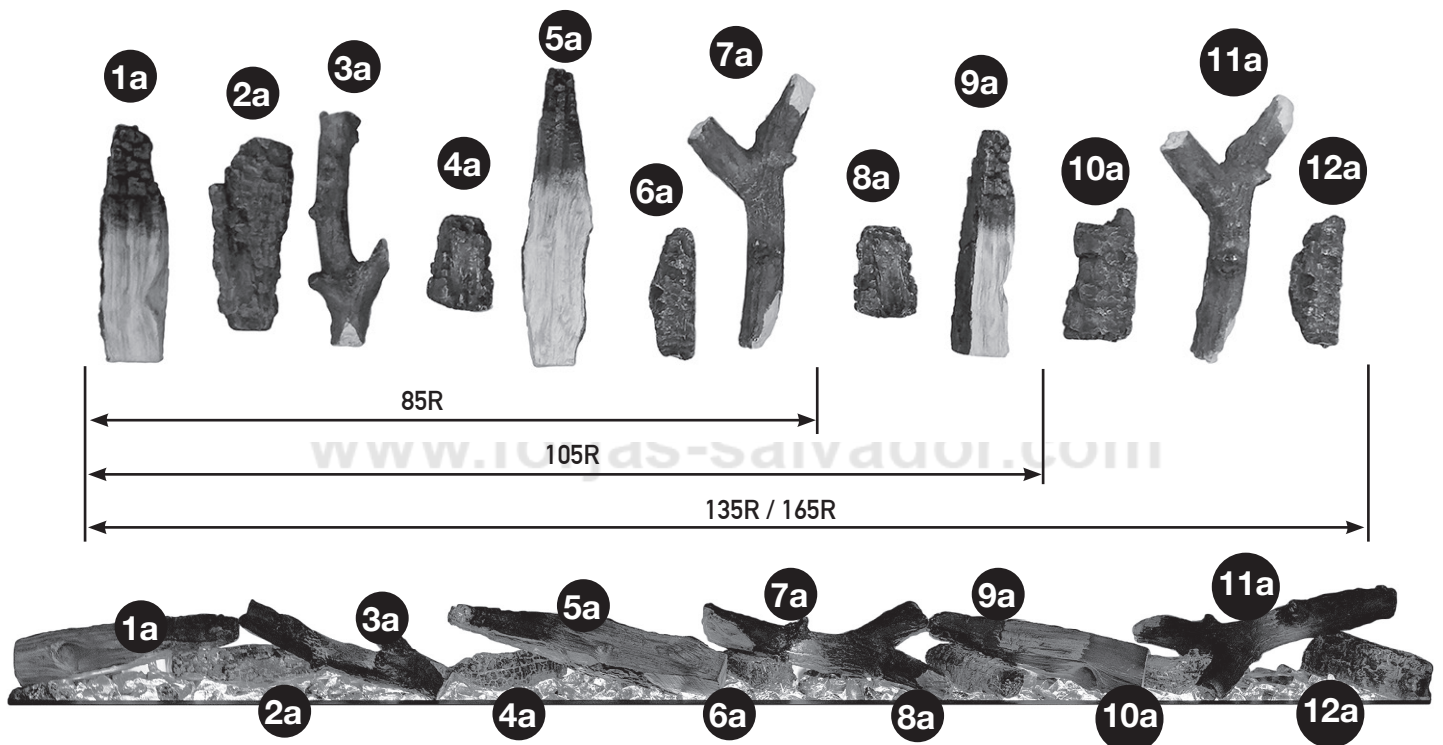
RU: Равномерно расположите стеклянные угли на дне топки.
 Примечание. Поленья (см. «Расположение поленьев») располагаются непосредственно на дне топки).

LU: Verdeelt d'Glasglous gläichméisseg iwwer d'Brennstoffbett.
 Hiweis: D'Holzglous (kuckt Holzstécker) leien direkt um Brennstoffbett.

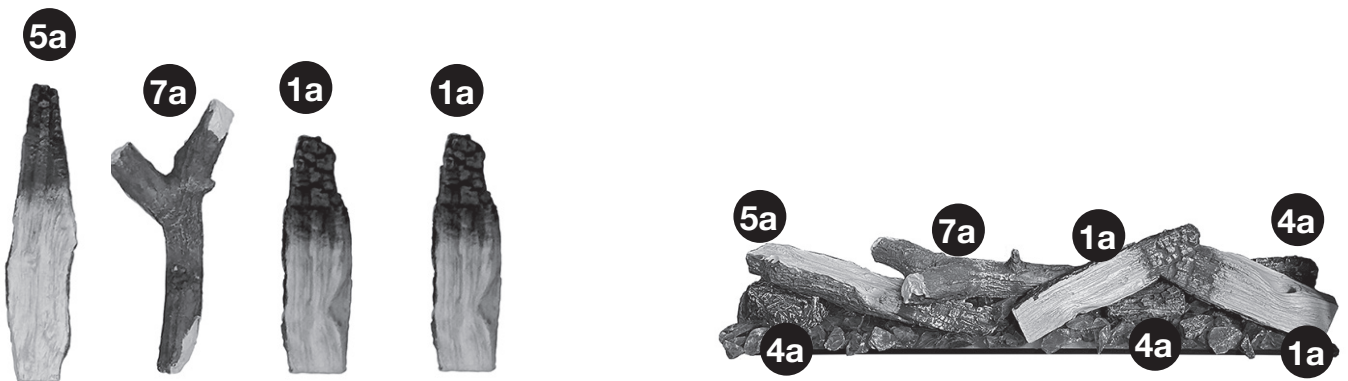
PT: Espalhe as brasas em vidro uniformemente sobre o leito de combustível.
 Nota: As brasas (consulte o esquema de troncos) repousam diretamente sobre o leito de combustível).

GB: LOG SET - LOG LAYOUT
 FR: JEU DE BÛCHES - AGENCEMENT DES BÛCHES
 DE: HOLZSCHEIT-SET - ANORDNUNG DER HOLZSCHEITE
 NL: BLOKKEN GEPLAATST - BLOKKEN-LAYOUT
 IT: SET DI CEPPI - SCHEMA DEI CEPPI
 NO: KUBBESETT - KUBBEOPPSETT
 ES: CONJUNTO DE LEÑOS - DISTRIBUCIÓN DE LOS LEÑOS

GR: ΠΟΙΚΙΛΙΑ ΞΥΛΩΝ - ΔΙΑΤΑΞΗ ΞΥΛΩΝ
 IL: ערכת בולי עץ - הנחת בולי העץ
 LV: PAGAĻU KOMPLEKTS - PAGAĻU IZVIETOJUMS
 RU: НАБОР ПОЛЕНЬЕВ - РАСПОЛОЖЕНИЕ ПОЛЕНЬЕВ
 LU: HOLZSTÉCKERSAZ - HOLZSTÉCKERLAYOUT
 PT: CONJUNTO DE TRONCOS - ESQUEMA DE TRONCOS



60R



GB: OPTIONAL SILVER BIRCH SET - LOG LAYOUT

FR: JEU DE BOULEAU BLANC EN OPTION -
AGENCEMENT DES BÛCHES

DE: HOLZSCHEIT-SET - ANORDNUNG DER
HOLZSCHEITE

NL: OPTIONELE ZILVERBEUKSET -
BLOKKEN-LAYOUT

IT: SET IN BETULLA BIANCA OPZIONALE -
SCHEMA DEI CEPPI

NO: VALGFRITT SØLVBJØRKSETT - KUBBEOPPSETT

ES: CONJUNTO OPCIONAL DE ABEDUL DE EUROPA -
DISTRIBUCIÓN DE LOS LEÑOS

GR: ΠΡΟΑΙΡΕΤΙΚΑ ΞΥΛΑ ΣΗΜΥΔΑΣ - ΔΙΑΤΑΞΗ ΞΥΛΩΝ

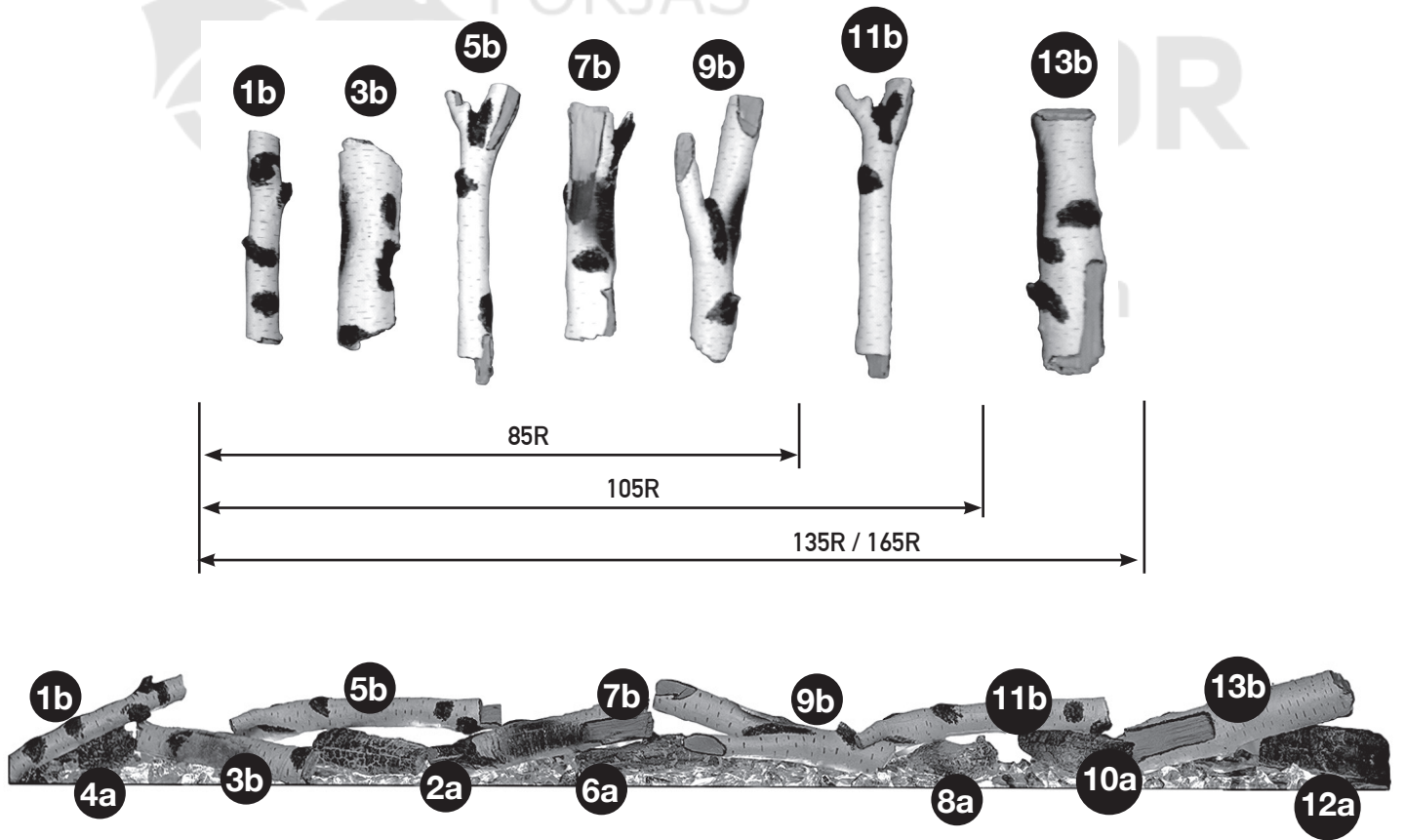
IL: סט לבנה צפוני אופציונלי - הנחת בולי העץ

LV: PĀPILDU KĀRPAINĀ BĒRZA KOMPLEKTS -
PAGAĻU IZVIETOJUMS

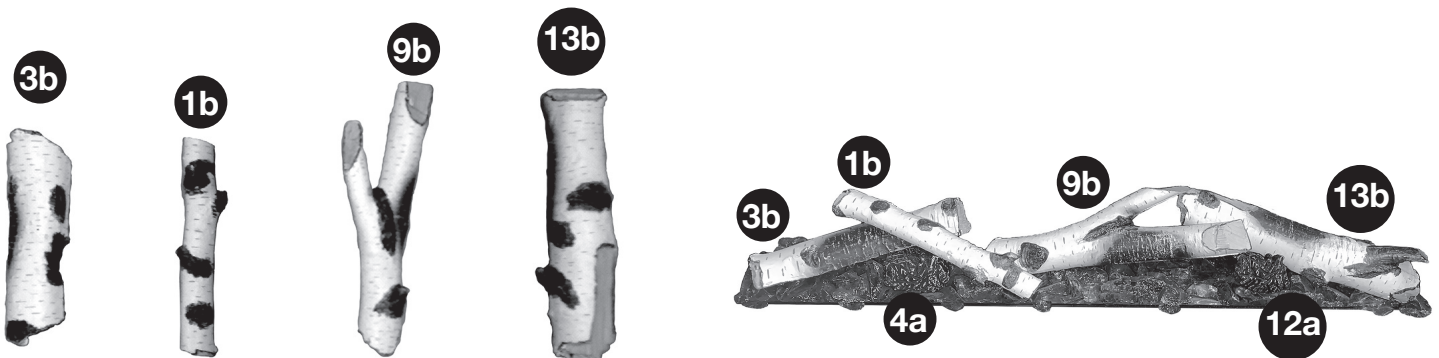
RU: КОМПЛЕКТ «БЕЛАЯ БЕРЕЗА» (ПОСТАВЛЯЕТСЯ
ОТДЕЛЬНО) - РАСПОЛОЖЕНИЕ ПОЛЕНЬЕВ

LU: OPTIONALE SĒLWERBIERKESAZ -
HOLZSTÉCKERLAYOUT

PT: CONJUNTO DE BÉTULA PRATA OPCIONAL -
ESQUEMA DE TRONCOS



60R



GB: COMPLETION OF ASSEMBLY

FR: FIN DE L'ASSEMBLAGE

DE: ABSCHLUSS DER MONTAGE

NL: VOLTOOIING VAN DE MONTAGE

IT: COMPLETAMENTO DEL MONTAGGIO

NO: FULLFØRING AV MONTERING

ES: FINALIZACIÓN DEL MONTAJE

GR: ΟΛΟΚΛΗΡΩΣΗ ΣΥΝΕΛΕΥΣΗΣ

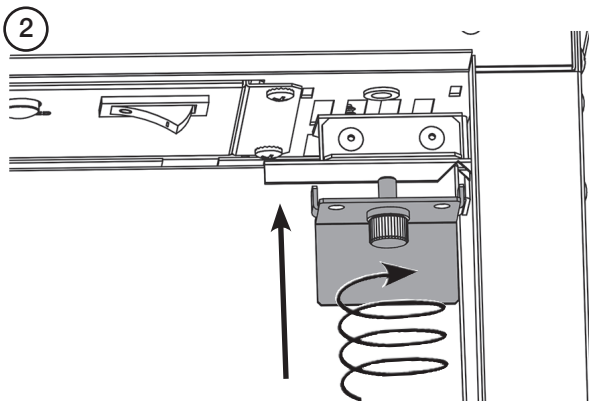
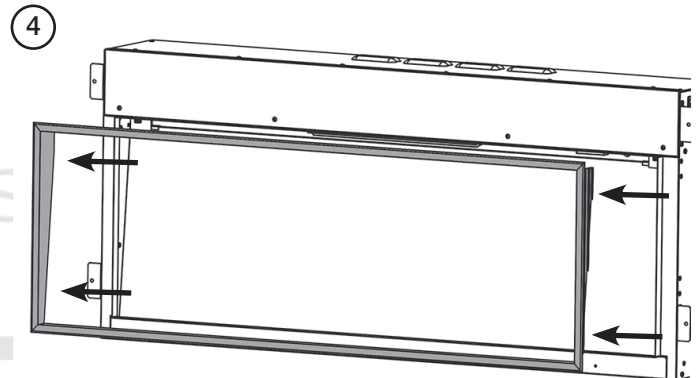
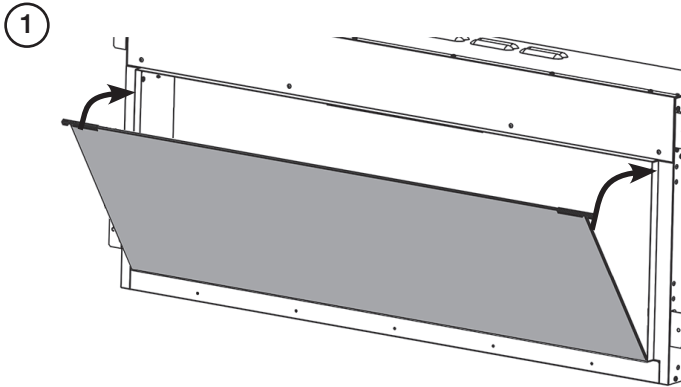
IL: השלמת ההרכבה

LV: MONTĀŽAS PABEIGŠANA

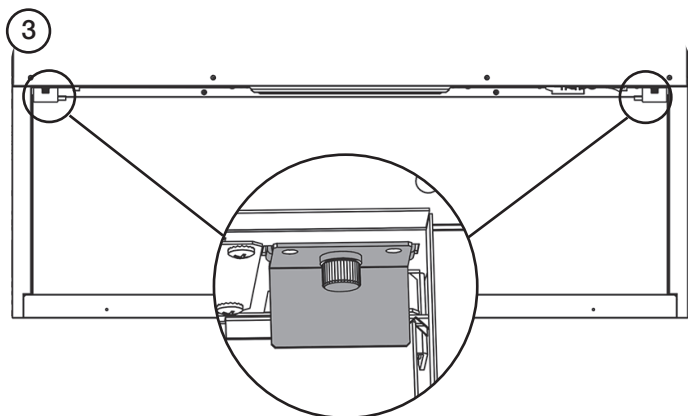
RU: ЗАВЕРШЕНИЕ СБОРКИ

LU: FÄERDEGSTELLUNG VUN DER VERSAMMLUNG

PT: CONCLUSÃO DA MONTAGEM



-salvador.com



GB: INFORMATION REQUIREMENT FOR ELECTRIC LOCAL SPACE HEATERS
FR: INFORMATIONS À FOURNIR POUR UN APPAREIL DE CHAUFFAGE ÉLECTRIQUE LOCALISÉ
DE: TECHNISCHE INFORMATIONEN FÜR ELEKTRISCHE RAUMHEIZGERÄTE
NL: INFORMATIE-EISEN VOOR ELEKTRISCHE TOESTELLEN VOOR LOKALE RUIMTEVERWARMING
IT: INFORMAZIONI OBBLIGATORIE PER GLI APPARECCHI PER IL RISCALDAMENTO D'AMBIENTE LOCALE ELETTRICI

Model Modèle Modell Modello Modell			eStudio 60R eStudio 85R eStudio 105R eStudio 135R eStudio 165R
Heat Output Puissance calorifique Heizleistung Warmteafgifte Potenza termica	Nominal Heat Output Puissance calorifique nominale Nennwärmeleistung Nominale warmteafgifte Potenza termica nominale	P_{nom}	2.0kW
	Minimum Heat Output Puissance calorifique minimale Mindestwärmeleistung Minimale warmteafgifte Potenza termica minima (indicativa)	P_{min}	1.0kW
	Maximum Continuous Heat Output Sortie de chauffage constante maximum Maximale kontinuierliche Wärmeleistung Maximale continue warmteproductie Massima potenza termica continua	$P_{max, c}$	2.0kW

Auxiliary Electricity Consumption Consommation électrique auxiliaire Hilfsstromverbrauch Aanvullend elektriciteitsverbruik Consumo auxiliar rio di energia elettrica	At Nominal Heat Output À la puissance calorifique nominale Bei Nennwärmeleistung Bij nominale warmteafgifte Alla potenza termica nominale	e_{lmax}	12.5W
	At Minimum Heat Output À la puissance calorifique minimale Bei Mindestwärmeleistung Bij minimale warmteafgifte Alla potenza termica minima	e_{lmin}	12.0W
	In Standby Mode En mode veille Im Standby-Modus In stand-by-modus In modo stand-by	$e_{l_{sb}}$	0.63W

Type of heat input, for electric storage local space heaters only
Type d'apport de chaleur, uniquement pour les appareils de chauffage électriques localisés
Art des Wärmeeintrags, nur für lokale Raumheizgeräte mit elektrischer Speicherung
Type warmte-input, uitsluitend voor elektrische warmteopslagtoestellen
Tipo di potenza termica, solo per gli apparecchi per il riscaldamento d'ambiente locale elettrici ad accumulio

Manual heat charge control, with integrated thermostat Commande manuelle de charge de chaleur avec thermostat intégré Manuelle Regelung der Wärmezufuhr mit integriertem Thermostat Handmatige sturing van de warmteopslag, met geïntegreerde thermostaat Controllo manuale del carico termico, con termostato integrato	No Non Nein Nee No
Manual heat charge control with room and/or outdoor temperature feedback Commande manuelle de charge de chaleur avec retour de température de la pièce et/ou extérieure Manuelle Regelung der Wärmezufuhr mit Rückmeldung der Raum- und/oder Außentemperatur Handmatige sturing van de warmteopslag, met kamer- en/of buitentemperatuurfeedback Controllo manuale del carico termico con riscontro della temperatura ambiente e/o esterna	No Non Nein Nee No
Electronic heat charge control with room and/or outdoor temperature feedback Commande électronique de charge de chaleur avec retour de température de la pièce et/ou extérieure Elektronische Regelung der Wärmezufuhr mit Rückmeldung der Raum- und/oder Außentemperatur Elektronische sturing van de warmteopslag, met kamer- en/of buitentemperatuurfeedback Controllo elettronico del carico termico con riscontro della temperatura ambiente e/o esterna	No Non Nein Nee No
Fan assisted heat output Puissance calorifique assistée par ventilateur Wärmeabgabe mit Gebläseunterstützung Door een ventilator bijgestane warmteafgifte Potenza termica assistita da ventilatore	Yes Oui Ja Ja Sì

TYPE OF HEAT OUTPUT/ROOM TEMPERATURE CONTROL TYPE DE PUISSANCE CALORIFIQUE/RÉGULATION DE TEMPÉRATURE AMBIANTE ART DER WÄRMELEISTUNG/RAUMTEMPERATURKONTROLLE TYPE WARMTEAFGIFTE/STURING KAMERTEMPERATUUR TIPO DI PÅOTENZA TERMICA/CONTROLLO DELLA TEMPERATURA AMBIENTE	
Single stage heat output and no room temperature control Puissance calorifique de niveau unique, pas de régulation de la température ambiante Einstufige Wärmeleistung, keine Raumtemperaturkontrolle Eentrapswarmteafgifte, geen sturing van de kamertemperatuur Potenza termica a fase unica senza controllo della temperatura ambiente	No Non Nein Nee No
Two or more manual stages, no room temperature control Au moins deux niveaux manuels, pas de régulation de la température ambiante Zwei oder mehr manuell einstellbare Stufen, keine Raumtemperaturkontrolle Twee of meer handmatig in te stellen trappen, geen sturing van de kamertemperatuur Due o più fasi manuali senza controllo della temperatura ambiente	No Non Nein Nee No
With mechanic thermostat room temperature control Avec régulation de la température ambiante par thermostat mécanique Raumtemperaturkontrolle mit mechanischem Thermostat Met mechanische sturing van de kamertemperatuur door thermostaat Con controllo della temperatura ambiente tramite termostato meccanico	No Non Nein Nee No
With electronic room temperature control Avec régulation électronique de la température ambiante Mit elektronischer Raumtemperaturkontrolle Met elektronische sturing van de kamertemperatuur Con controllo elettronico della temperatura ambiente	Yes Oui Ja Ja Sì
Electronic room temperature control plus day timer Avec régulation électronique de la température ambiante plus minuteur jour Elektronische Raumtemperaturkontrolle und Tageszeitregelung Met elektronische sturing van de kamertemperatuur plus dag-tijdschakelaar Con controllo elettronico della temperatura ambiente e temporizzatore giornaliero	Yes Oui Ja Ja Sì
Electronic room temperature control plus week timer Avec régulation électronique de la température ambiante plus minuteur semaine Elektronische Raumtemperaturkontrolle und Wochentagsregelung Met elektronische sturing van de kamertemperatuur plus week-tijdschakelaar Con controllo elettronico della temperatura ambiente e temporizzatore settimanale	Yes Oui Ja Ja Sì

OTHER CONTROL OPTIONS AUTRES OPTIONS DE COMMANDE SONSTIGE REGELUNGSOPTIONEN ANDERE STURINGSOPTIES ALTRE OPZIONI DI CONTROLLO	
Room temperature control, with presence detection Régulation de la température ambiante, avec détection de présence Raumtemperaturkontrolle mit Präsenzerkennung Sturing van de kamertemperatuur, met aanwezigheidsdetectie Controllo della temperatura ambiente con rilevamento di presenza	No Non Nein Nee No
Room temperature control, with open window detection Régulation de la température ambiante, avec détection de fenêtre ouverte Raumtemperaturkontrolle mit Erkennung offener Fenster Sturing van de kamertemperatuur, met openraamdetectie Controllo della temperatura ambiente con rilevamento di finestre aperte	Yes Oui Ja Ja Sì
With distance control option Avec option de commande à distance Mit Fernbedienungsoption Met de optie van afstandsbediening Con opzione di controllo a distanza	No Non Nein Nee No
With adaptive start control Avec commande de mise en route adaptive Mit adaptiver Regelung des Heizbeginns Met adaptieve sturing van de start Con controllo di avviamento adattabile	Yes Oui Ja Ja Sì
With working time limitation Avec restriction de durée d'utilisation Mit Betriebszeitbegrenzung Met beperking van de werkingstijd Con limitazione del tempo di funzionamento	No Non Nein Nee No
With black bulb sensor Avec capteur bulbe noir Mit Schwarzkugelsensor Met black-bulbsensor Con termometro a globo nero	No Non Nein Nee No

Gazco Ltd, Spitfire Avenue, Skypark, Clyst Honiton, Exeter, Devon, England EX5 2FR

ES: REQUISITOS DE INFORMACIÓN QUE DEBEN CUMPLIR LOS APARATOS DE CALEFACCIÓN LOCAL ELÉCTRICOS
GR: ΑΠΑΙΤΗΣΕΙΣ ΠΛΗΡΟΦΟΡΗΣΗΣ ΓΙΑ ΗΛΕΚΤΡΙΚΟΥΣ ΤΟΠΙΚΟΥΣ ΘΕΡΜΑΝΤΗΡΕΣ ΧΩΡΟΥ
LV: NEPIECIEŠAMĀ INFORMĀCIJA ELEKTRISKĀM VIETĒJĀM TELPU SILDIERĪCĒM
LU: INFORMATIOUNSUFUERDERUNG FIR ELEKTRESCH RAUMHEIZAPPARATER
PT: INFORMAÇÃO SOBRE REQUISITOS PARA AQUECEDORES ELÉTRICOS LOCAIS

Modelo Μοντέλο Modelis Modell Modelo			eStudio 60R eStudio 85R eStudio 105R eStudio 135R eStudio 165R
Potencia calorífica Θερμική ισχύς Siltuma jauda Wärmteleistung Saída de calor	Potencia calorífica nominal Ονομαστική θερμική ισχύς Nominālā siltuma jauda Nominal Hëtzleeschung Saída Nominal de Calor	P_{nom}	2.0kW
	Potencia calorífica mínima (indicativa) Ελάχιστη θερμική ισχύς Minimālā siltuma jauda Mindesthëtzleeschung Saída Mínima de Calor	P_{min}	1.0kW
	A potencia calorífica nominal Μέγιστη συνεχής θερμική ισχύς Maksimālā ilgstošā režīma siltuma jauda Maximal kontinuierleech Hëtzleeschung Saída Máxima de Calor Continuo	$P_{max, c}$	2.0kW

Consumo auxiliar de electricidad Βοηθητική κατανάλωση ηλεκτρικής ενέργειας Elektroenerģijas pašpatēriņš Niewstromverbrauch Consumo eléctrico auxiliar	A potencia calorífica nominal Στην ονομαστική θερμική ισχύ À la puissance calorifique nominale Bei nominaler Hëtzleeschung Na saída nominal de calor	e_{lmax}	12.5W
	A potencia calorífica mínima Στην ελάχιστη θερμική ισχύ À la puissance calorifique minimale Bei Mindesthëtzleeschung Na saída mínima de calor	e_{lmin}	12.0W
	En modo de espera Σε κατάσταση αναμονής En mode veille Am Standbymodus Em modo Standby	e_{lSB}	0.63W

Tipo de aportación de calor, únicamente para los aparatos de calefacción local eléctricos de acumulación
ΕΙΔΟΣ ΘΕΡΜΙΚΗΣ ΙΣΧΥΟΣ, ΑΠΟΚΛΕΙΣΤΙΚΑ ΓΙΑ ΗΛΕΚΤΡΙΚΟΥΣ ΤΟΠΙΚΟΥΣ ΘΕΡΜΑΝΤΗΡΕΣ ΧΩΡΟΥ
Siltuma atdeves veids tikai elektriskajām termoakumulācijas vietējām telpu sildierīcēm
Aart vum Hëtzagang, nëmme fir elektresch lokal Beräichsheizungen
Tipo de entrada de calor, apenas para aquecedores de ambiente local de armazenamento elétrico

Control manual de la carga de calor, con termostato integrado Χειροκίνητος ρυθμιστής θερμικού φορτίου με ενσωματωμένο θερμοστάτη Manuālā siltuma noslodzes vadība, ar iebūvētu termostatu Manuell Hëtzluedungssteuerung, mat integréiertem Thermostat Controlo manual de carga de calor, com termóstato integrado	No Όχι Nē Nee Não
Control manual de la carga de calor con respuesta a la temperatura interior o exterior Χειροκίνητος ρυθμιστής θερμικού φορτίου με ανάδραση θερμοκρασίας δωματίου και/ή θερμοκρασίας εξωτερικού χώρου Manuālā siltuma noslodzes vadība ar telpas un/vai āra temperatūras informāciju Manuell Steuerung vun der Hëtzluedung mat Réckféierung vun der Raum- an/oder Baussentemperatur Controlo manual de carga de calor com feedback de temperatura ambiente e/ou exterior	No Όχι Nē Nee Não
Control electrónico de la carga de calor con respuesta a la temperatura interior o exterior Ηλεκτρονικός ρυθμιστής θερμικού φορτίου με ανάδραση θερμοκρασίας δωματίου και/ή θερμοκρασίας εξωτερικού χώρου Elektroniskā siltuma noslodzes vadība ar telpas un/vai āra temperatūras informāciju Elektronesch Hëtzluedungssteuerung mat réckkopplung vun der Raum- an/oder Baussentemperatur Controlo eletrônico de carga de calor com feedback de temperatura ambiente e/ou exterior	No Όχι Nē Nee Não
Potencia calorífica asistida por ventiladores Παραγωγή θερμότητας υποβοηθούμενη από ανεμιστήρα Siltumražītājs ar ventilatoru Lüfternennerstëtzt Hëtzleeschung Saída de calor assistida por ventoinha	Si Ναι Jā Ja Sim

TIPO DE CONTROL DE POTENCIA CALORÍFICA/DE TEMPERATURA INTERIOR
ΕΙΔΟΣ ΘΕΡΜΙΚΗΣ ΙΣΧΥΟΣ/ΡΥΘΜΙΣΤΗΣ/ΡΥΘΜΙΣΤΗ ΘΕΡΜΟΚΡΑΣΙΑΣ ΔΩΜΑΤΙΟΥ
SILTUMRAŽĪGUMA/ TELPAS TEMPERATŪRAS VADĪBAS VEIDS
AART VUN DER HÉTZLEESCHTUNG/RAUMTEMPERATURSTIEUERUNG
TIPO DE SAÍDA DE CALOR/CONTROLO DE TEMPERATURA DA DIVISÃO

Potencia calorífica de un solo nivel, sin control de temperatura interior Μονοβάθμια θερμική ισχύς, χωρίς ρυθμιστή θερμοκρασίας δωματίου Vienpakāpes siltumražīgums bez telpas temperatūras vadības Eestufeg Hétzleeschtung a keng Raumtemperatursteierung Saída de calor de estágio único e sem controlo de temperatura ambiente	No Όχι Nē Nee Não
Dos o más niveles manuales, sin control de temperatura interior Δύο ή περισσότερες χειροκίνητες βαθμίδες, χωρίς ρυθμιστή θερμοκρασίας δωματίου Divas vai vairāk manuālas pakāpes, bez telpas temperatūras vadības Zwou oder méi manuell Stufen, keng Raumtemperatursteierung Dois ou mais estágios manuais, sem controlo de temperatura ambiente	No Όχι Nē Nee Não
Con control de temperatura interior mediante termostato mecánico Με μηχανικό θερμοστατικό ρυθμιστή θερμοκρασίας δωματίου Ar mehāniskā termostata telpas temperatūras vadību Mat mechanischem Thermostat, Raumtemperatursteierung Com termóstato mecânico de controlo de temperatura ambiente	No Όχι Nē Nee Não
Con control electrónico de temperatura interior Με ηλεκτρονικό ρυθμιστή θερμοκρασίας δωματίου Ar elektronisko telpas temperatūras vadību Mat elektronischer Raumtemperatursteierung Com termóstato eletrónico de controlo de temperatura ambiente	Si Ναι Jā Ja Sim
Control electrónico de temperatura interior y temporizador diario Με ηλεκτρονικό ρυθμιστή θερμοκρασίας δωματίου και χρονοδιακόπτη ημέρας Elektroniskā telpas temperatūras vadība plus dienas taimeris Elektronesch Raumtemperatursteierung plus Dageszäitschalter Controle eletrónico de temperatura ambiente mais temporizador diurno	Si Ναι Jā Ja Sim
Control electrónico de temperatura interior y temporizador semanal Με ηλεκτρονικό ρυθμιστή θερμοκρασίας δωματίου και χρονοδιακόπτη εβδομάδας Elektroniskā telpas temperatūras vadība plus nedēļas taimeris Elektronesch Raumtemperatursteierung plus Wochenzäitschalter Controle eletrónico de temperatura ambiente mais temporizador semanal	Si Ναι Jā Ja Sim

OTRAS OPCIONES DE CONTROL
ΑΛΛΕΣ ΔΥΝΑΤΟΤΗΤΕΣ ΡΥΘΜΙΣΗΣ
CITAS VADĪBAS OPCIJAS
ANER STEIERUNGSOPTIONEN
OUTRAS OPÇÕES DE CONTROLO

Control de temperatura interior con detección de presencia Ρυθμιστής θερμοκρασίας δωματίου, με ανίχνευση παρουσίας Telpas temperatūras vadība, ar klātbūtnes noteikšanu Raumtemperatursteierung, mat Uwiesenhheetserkennung Controlo de temperatura ambiente, com deteção de presença	No Όχι Nē Nee Não
Control de temperatura interior con detección de ventanas abiertas Ρυθμιστής θερμοκρασίας δωματίου, με ανίχνευση ανοιχτού παραθύρου Telpas temperatūras vadība, ar atvērta loga noteikšanu Raumtemperatursteierung, mat Oppe-Fēnster-Erkennung Controlo de temperatura ambiente, com deteção de janela aberta	Si Ναι Jā Ja Sim
Con opción de control a distancia Με δυνατότητα ρύθμισης από απόσταση Ar tālvadības opciju Mat Distanzsteierungsoption Com opção de controlo de distância	No Όχι Nē Nee Não
Con control de puesta en marcha adaptable Με ρύθμιση προσαρμοζόμενης εκκίνησης Ar adaptīvu ieslēgšanas vadību Mat adaptiver Startsteierung Com controlo de arranque adaptável	Si Ναι Jā Ja Sim
Con limitación de tiempo de funcionamiento Με περιορισμό της διάρκειας λειτουργίας Ar darba laika ierobežojumu Mat Aarbechtszäitbegrenzung Com limitação de tempo de operação	No Όχι Nē Nee Não
Con sensor de lámpara negra Με αισθητήρα θερμομέτρου μελανής σφαίρας Ar melnu spuldžu sensoru Mat Sensor fir Schwaarzliichtbiren Com sensor de lâmpada preta	No Όχι Nē Nee Não

Gazco Ltd, Spitfire Avenue, Skypark, Clyst Honiton, Exeter, Devon, England EX5 2FR

GB: PRODUCT MATERIAL INFORMATION
FR: INFORMATIONS MATÉRIELLES DU PRODUIT
DE: PRODUKTMATERIALINFORMATIONEN
NL: PRODUCT MATERIAAL INFORMATIE

GB:

When the waste bin symbol with a cross is found on a product, it means that this product is subject to the European Directive 2012/19 / EU (implemented by the national legislation with the legislative decree of March 14, 2014, n.49).

In accordance with European Directive 2012/19/ EU, waste electrical and electronic equipment (WEEE) must not be disposed of with household or unsorted municipal waste.

At the end of its useful life please take this product to an appropriate recycling centre, collection point or utilise a distributor take-back service. Failure to do so may result in negative effects on the environment and/or human health as a result of the possible presence of hazardous substances in electrical and electronic equipment and of the mishandling of such equipment.

You can find your nearest recycling centre by contacting your local authority, for UK customers using the bank locator at www.recycle-more.co.uk or for customers in the Republic of Ireland at www.weeeireland.ie. Take-back services can be discussed with your authorised dealer.

-

FR:

Le symbole de poubelle avec une croix mentionné sur ce produit signifie que ce dernier est soumis à la directive européenne 2012/19/EU (mise en application par le décret législatif n° 49 du 14 mars 2014).

Conformément à la directive européenne 2012/19/EU, les déchets d'équipements électriques ou électroniques (DEEE) ne doivent pas être éliminés avec les déchets ménagers ou municipaux non triés.

À la fin de sa vie utile, veuillez déposer ce produit dans un centre de collecte ou de recyclage approprié, ou utiliser le service de reprise du distributeur. La non-exécution pourrait entraîner des effets néfastes sur l'environnement et/ou la santé humaine en raison de l'éventuelle présence de substances dangereuses dans les équipements électriques et électroniques et de la mauvaise utilisation d'un tel équipement.

Vous pouvez trouver le centre de recyclage le plus proche en contactant les autorités locales. Les clients au Royaume-Uni peuvent se servir du système de repérage sur www.recycle-more.co.uk et ceux de la République d'Irlande sur www.weeeireland.ie. Vous pouvez vous enquêter des services de reprise auprès de votre distributeur agréé.

-

DE:

Wenn das Symbol einer durchgestrichenen Mülltonne auf einem Produkt zu finden ist, bedeutet dies, dass dieses Produkt der europäischen Richtlinie 2012/19/EU unterliegt (umgesetzt in der nationalen Gesetzgebung mit dem Gesetzesdekret vom 14. März 2014, Nr. 49).

Gemäß der europäischen Richtlinie 2012/19/ EU dürfen Elektro- und Elektronik-Altgeräte (WEEE) nicht über den Hausmüll oder unsortierten Siedlungsabfall entsorgt werden.

Bitte geben Sie dieses Produkt am Ende seiner Nutzungsdauer bei einem geeigneten Recyclingzentrum oder einer Sammelstelle ab oder nutzen Sie den Rücknahmeservice eines Händlers. Andernfalls kann dies zu negativen Auswirkungen auf die Umwelt und/oder die menschliche Gesundheit führen, wenn möglicherweise gefährliche Stoffe in Elektro- und Elektronikgeräten vorhanden sind und diese Geräte falsch gehandhabt werden.

Für den nächstgelegenen Recyclinghof wenden Sie sich an Ihre Gemeindeverwaltung. Kunden in Großbritannien finden diesen über den Bank Locator unter www.recycle-more.co.uk, Kunden in der Republik Irland über www.weeeireland.ie. Rücknahmeleistungen können mit Ihrem Vertragshändler besprochen werden.

-

NL:

Een afvalbaksymbool met een kruis erdoorheen op een product betekent dat het betreffende product valt onder de Europese richtlijn 2012/19 / EU (in Groot-Brittannië verwerkt in de nationale wetgeving naar aanleiding van een rechterlijke uitspraak geregistreerd onder nr. 49 van 14 maart 2014).

In overeenstemming met de Europese richtlijn 2012/19 / EU mag defecte elektrische en elektronische apparatuur niet worden afgevoerd via het normale huisafval of grofvuil.

Breng dit product dan ook naar een geschikt recycling-centrum, inzamelpunt of maak gebruik van een terugname-service van een distributeur zodra dit versleten is. Doet u dit niet, dan kan dat negatieve gevolgen hebben voor de omgeving en/of de gezondheid vanwege de mogelijke aanwezigheid van gevaarlijke stoffen in elektrische en elektronische apparatuur en verkeerde verwerking van dergelijke apparatuur.

Neem contact op met uw gemeente voor informatie over de dichtstbijzijnde milieustraat; klanten in het Verenigd Koninkrijk kunnen ook kijken op www.recycle-more.co.uk en klanten in de Ierse Republiek op www.weeeireland.ie. Voor informatie over een terugname-service kunt u contact opnemen met uw erkende dealer.

IT: INFORMAZIONI SUL MATERIALE DEL PRODOTTO
NO: INFORMASJON OM PRODUKTMATERIALE
ES: INFORMACIÓN DEL MATERIAL DEL PRODUCTO

IT:

Quando su un prodotto compare il simbolo del cestino dei rifiuti con una croce, significa che il prodotto è soggetto alla Direttiva europea 2012/19/UE (recepita dalla legislazione nazionale con il decreto legislativo del 14 marzo 2014, n.49).

In conformità alla Direttiva europea 2012/19/UE, le apparecchiature elettriche ed elettroniche (RAEE) non devono essere smaltite insieme ai rifiuti domestici o ai rifiuti urbani indifferenziati.

Al termine della vita utile del prodotto, occorre portarlo presso un centro di riciclaggio o un punto di raccolta appropriato oppure utilizzare il servizio di ritiro offerto dal distributore. In caso contrario, potrebbero verificarsi effetti negativi sull'ambiente e/o sulla salute umana a seguito dell'eventuale presenza di sostanze pericolose nelle apparecchiature elettriche ed elettroniche e dell'errata gestione di tali apparecchiature. Per conoscere il centro di riciclaggio più vicino contattare le autorità locali. I clienti del Regno Unito possono utilizzare il localizzatore presente sul sito www.recycle-more.co.uk mentre i clienti della Repubblica d'Irlanda possono consultare il sito www.weeireland.ie. Per maggiori informazioni sui servizi di ritiro rivolgersi al proprio rivenditore autorizzato.

-

NO:

Når søppelkassesymbolet med et kryss står på et produkt, betyr det at dette produktet er underlagt det europeiske direktivet 2012/19/EU (implementert av nasjonal lovgivning med lovdekret av 14. mars 2014, n. 49).

I henhold til det europeiske direktivet 2012/19/EU, må ikke avfall fra elektrisk og elektronisk utstyr (WEEE) kastes sammen med husholdningsavfall eller usortert kommunalt avfall.

Ved slutten av levetiden, ta dette produktet til en egnet gjenvinningsstasjon, innsamlingspunkt eller bruk returtjenesten til en distributør.

Unnlattelse av å gjøre dette kan føre til negative konsekvenser for miljøet og/eller menneskers helse som følge av potensielt farlige stoffer i elektrisk og elektronisk utstyr, og feil håndtering av slikt utstyr.

Du kan finne din nærmeste gjenvinningsstasjon ved å kontakte lokale myndigheter. Kunder i Storbritannia finner informasjon om dette på www.recycle-more.co.uk, mens kunder i Irland kan gå til www.weeireland.ie. Tilbakeleveringstjenester kan diskuteres med din autoriserte forhandler.

-

ES:

Si un producto cuenta con el símbolo del contenedor de residuos con una cruz, estará sujeto a la Directiva Europea 2012/19/UE (implementada a través de la legislación nacional con el decreto legislativo de 14 de marzo de 2014, número 49).

De acuerdo con la Directiva Europea 2012/19/UE, los residuos de dispositivos eléctricos y electrónicos (WEEE) no se deben desechar a través de los sistemas de eliminación de residuos domésticos ni residuos urbanos sin clasificar.

Al finalizar su vida útil, lleve el producto al centro de reciclaje correspondiente o al punto de recogida, o use un servicio de recogida de los distribuidores. De lo contrario, se pueden producir efectos negativos en el medio ambiente y/o en la salud humana derivados de la posible presencia de sustancias perjudiciales en los dispositivos electrónicos o eléctricos, y a la manipulación incorrecta de estos.

Para encontrar su centro de reciclaje más cercano, póngase en contacto con las autoridades locales. Alternativamente, los clientes en el Reino Unido pueden usar el buscador www.recycle-more.co.uk y los clientes en la República de Irlanda pueden usar la dirección www.weeireland.ie. Los servicios de recogida se pueden analizar con su distribuidor autorizado.

GR: ΠΛΗΡΟΦΟΡΙΕΣ ΥΛΙΚΟΥ ΠΡΟΪΟΝΤΟΣ
IL: מידע על חומרי המוצר
LV: INFORMĀCIJA PAR PRODUKTU MATERIĀLIEM
RU: ИНФОРМАЦИЯ О МАТЕРИАЛЕ ПРОДУКТА
GR :

Όταν ένα προϊόν συνοδεύεται από το σύμβολο του τροχήλατου κάδου απορριμμάτων που διαγράφεται με ένα σταυρό, αυτό σημαίνει ότι το προϊόν υπόκειται στην Ευρωπαϊκή Οδηγία 2012/19/ΕΕ (η οποία ενσωματώθηκε στην εθνική νομοθεσία με την ΚΥΑ 23615/651/Ε.103 (ΦΕΚ Β 1184/9.5.2014)).

Σύμφωνα με την Ευρωπαϊκή Οδηγία 2012/19/ ΕΕ, τα απόβλητα ηλεκτρικού και ηλεκτρονικού εξοπλισμού (ΑΗΗΕ) δεν επιτρέπεται να απορρίπτονται μαζί με τα οικιακά ή τα μη ταξινομημένα αστικά απορρίμματα.

Όταν αυτό το προϊόν βρίσκεται στο τέλος της ωφέλιμης ζωής του, παρακαλούμε να το μεταφέρετε σε κατάλληλο κέντρο ανακύκλωσης ή σημείο συλλογής ή να χρησιμοποιήσετε μια υπηρεσία ανακύκλωσης του διανομέα. Η μη τήρηση των παραπάνω μπορεί να οδηγήσει σε αρνητικές επιπτώσεις στο περιβάλλον ή/και στην ανθρώπινη υγεία λόγω της πιθανής παρουσίας επικίνδυνων ουσιών στον ηλεκτρικό και ηλεκτρονικό εξοπλισμό ή λόγω του κακού χειρισμού αυτού του εξοπλισμού.

Μπορείτε να βρείτε το πλησιέστερο κέντρο ανακύκλωσης επικοινωνώντας με την τοπική σας αρχή, οι πελάτες στο Ηνωμένο Βασίλειο χρησιμοποιώντας τον εντοπισμό σημείου ανακύκλωσης στη διεύθυνση www.recycle-more.co.uk και οι πελάτες στη Δημοκρατία της Ιρλανδίας στη διεύθυνση www.weeeireland.ie. Οι υπηρεσίες ανακύκλωσης μπορούν να συζητηθούν με τον εξουσιοδοτημένο αντιπρόσωπό σας.

-

IL :

EU / 2012/19 האשר קיים סמל של פח זבל עם הצלבה על גבי מוצר מסוים, פירושו שהמוצר כפוף אל התקנה האירופית 2012/19 / EU (מיושמת על ידי החוקים הלאומיים ביחד עם הצו החוקי מתאריך 14 במרץ 2014, מס' 49).

בהתאם לתקנה האירופית 2012/19 / EU, אין להשליך פסולת חשמלית ואלקטרונית (WEEE) מן הבתים ביחד עם פסולת ביתית או פסולת עירונית אשר לא מוינה. בסוף חיי השימוש שלו, אנא קחו מכשיר זה אל מרכז מחזור מתאים, נקודת איסוף או שירות החזרת מוצרים של המפיץ. אי ציות לכך עלול לגרום להשפעות שליליות על הסביבה ו/או בריאות האדם כתוצאה מנוכחות אפשרית של חומרים מסוכנים בציוד חשמלי ואלקטרוני וטיפול לא נכון בציוד מסוג זה. אתם יכולים למצוא את מרכז המחזור הקרוב אליכם על ידי יצירת קשר עם הרשויות המקומיות במקום בו אתם נמצאים, עבור לקוחות מאנגליה, השתמשו במגלה המקום בכתובת www.recycle-more.co.uk או עבור לקוחות מאירלנד בכתובת www.weeeireland.ie ניתן לשוחח על שירותי החזרת מוצרים עם המפיצים המורשים שלכם.

-

LV :

Ja uz produkta ir atrodams atkritumu tvertnes simbols ar krustiņu, tas nozīmē, ka uz šo produktu attiecas Eiropas direktīva 2012/19 / ES (īstenošana ar valsts tiesību aktiem ar 2014. gada 14. marta likumdošanas dekrētu Nr. 49).

Saskaņā ar Eiropas Direktīvu Nr. 2012/19/ ES elektrisko un elektronisko iekārtu (EEIA) atkritumus nedrīkst izmest kopā ar sadzīves vai nešķīrotiem sadzīves atkritumiem.

Pēc ierīces darbmuža beigām šis produkts jānogādā atbilstošā pārstrādes centrā, savākšanas punktā vai jāizmanto izplatītāja izmantojamās pakalpojumi. Pretējā gadījumā iespējamās bīstamo vielu klātbūtnes dēļ elektriskās un elektroniskās iekārtās un, nepareizi rīkojoties ar šādām iekārtām, ir iespējama negatīva ietekme uz vidi un/vai cilvēku veselību.

Tuvāko pārstrādes centru var atrast, sazinoties ar savu pašvaldību, patērētāji AK reciklēšanas centrus var atrast vietnē www.recycle-more.co.uk, savukārt patērētāji Īrijas Republikā reciklēšanas centrus var atrast vietnē www.weeeireland.ie. Utilizēšanas pakalpojumus var apspriest ar pilnvaroto preču izplatītāju.

-

RU :

Если на продукте есть символ перечеркнутого мусорного контейнера, это означает, что на данный продукт распространяется действие Директивы Европейского парламента и Совета Европейского Союза 2012/19/ЕС (внедрена в национальное законодательство законодательным указом № 49 от 14 марта 2014 г.).

В соответствии с Директивой Европейского парламента и Совета Европейского Союза 2012/19/ЕС запрещается выбрасывать отходы электрического и электронного оборудования вместе с твердыми бытовыми отходами или несортируемыми бытовыми отходами.

По окончании срока службы прибор необходимо сдать в соответствующий центр переработки отходов, пункт сбора или воспользоваться услугой возвращения дистрибьютору. Несоблюдение этого требования может привести к негативным последствиям для окружающей среды и/или здоровья человека в результате возможного наличия опасных веществ в электрическом и электронном оборудовании и неправильного обращения с таким оборудованием.

Пожалуйста, обратитесь в местный орган власти, чтобы найти ближайший центр переработки отходов. Клиенты из Соединенного Королевства могут воспользоваться сайтом www.recycle-more.co.uk, а из Ирландии — www.weeeireland.ie. Услугу возвращения дистрибьютору можно обсудить с вашим авторизованным дилером.

LU: PRODUIT MATERIAL INFORMATIOUNEN
PT: INFORMAÇÕES SOBRE O MATERIAL DO PRODUTO**LU :**

Wa sech kee Dreckskeeschtsymbol mat engem Kräiz op engem Produkt befënnt, bedeit dat, datt dëst Produkt der Europäescher Richtlinn 2012/19/EU ënnerläit (ëmgesat duerch national Gesetzgebung mat der Gesetzesveruerdning vum 14. Mäerz 2014, Nr. 49). Geméiss der EU-Richtlinn 2012/19/EU däerfen Elektro- an Elektronikapparater (WEEE) net am Haushaltsoffall oder onsortéiertem Hausoffall entsuergt ginn.

Bréngt dëst Produkt um Enn vu senger Nutzungsdauer zu engem gëeegente Recyclagezenter, enger Sammelplaz oder engem Recuperatiounsservice vun engem Händler. Eng Netbeuechtung kann et oprond vun der méiglecher Uwiesenheet vu geféierlech Stoffen an Elektro- an Elektronikapparater an der onsaachgeméisser Handhabung vun esou Apparater zu negativen Auswierkungen op d'Ëmwelt an/oder d'mënschlech Gesondheet kommen.

Dir kënnt Ären nächste Recyclagezenter fannen, andeem Dir lech un Är lokal Autoritéite went. Fir Clienten aus Groussbritannien iwwer d'Onlinesäit www.recycle-more.co.uk oder fir Clienten aus der Republik Irland ënner www.weeireland.ie. Recuperatiounsservicer kënnen mat Ärem Vertragshändler beschwat ginn.

-

PT :

Quando se encontra num produto o símbolo do caixote do lixo com uma cruz, significa que este produto está sujeito à Diretiva Europeia 2012/19/UE (implementada pela legislação nacional com o decreto legislativo de 14 de março de 2014, n.49).

Em conformidade com a Diretiva Europeia 2012/19/UE, os resíduos de equipamentos elétricos e eletrónicos (REEE) não devem ser eliminados juntamente com resíduos domésticos ou resíduos urbanos não separados.

No fim da sua vida útil, deixar este produto num centro de reciclagem ou ponto de recolha apropriado ou utilizar um serviço de retoma do distribuidor. O não cumprimento desta recomendação pode causar efeitos negativos no ambiente e/ou na saúde humana como resultado da possível presença de substâncias perigosas em equipamentos elétricos e eletrónicos e da má utilização desses equipamentos.

Pode encontrar o centro de reciclagem mais próximo contactando as autoridades locais, para clientes no Reino Unido utilizando o localizador de aterros em www.recycle-more.co.uk ou para cliente na República da Irlanda em www.weeireland.ie. Os serviços de retoma podem ser discutidos com o seu distribuidor autorizado.



www.forjas-salvador.com



www.forjas-salvador.com



www.forjas-salvador.com

FOR ENQUIRIES IN THE U.K (EXCLUDING NI):

Gazco Limited, Spitfire Avenue, Skypark, Clyst Honiton, Exeter, Devon, England

EX5 2FR

Tel: (01392) 261900 E-mail: info@gazco.com

FOR ENQUIRIES IN EUROPE (INCLUDING NI):

Stovax Heating Group (NI) Ltd (Comp reg NI675194), 40 Linenhall Street, Belfast, BT2

8BA DX 400 NR Belfast Tel: +44 (0)1392 261990 E-mail: northernireland@gazco.com

